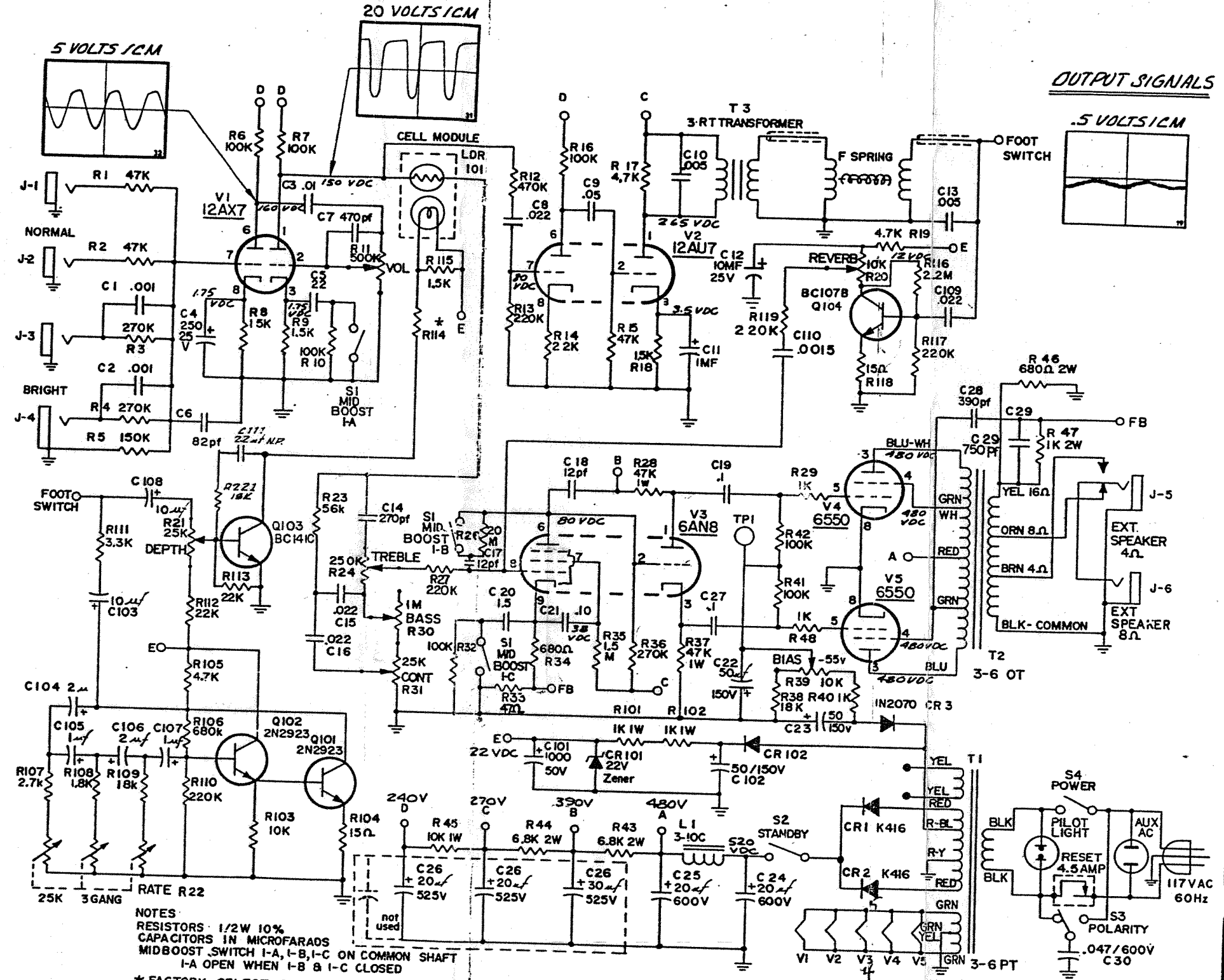
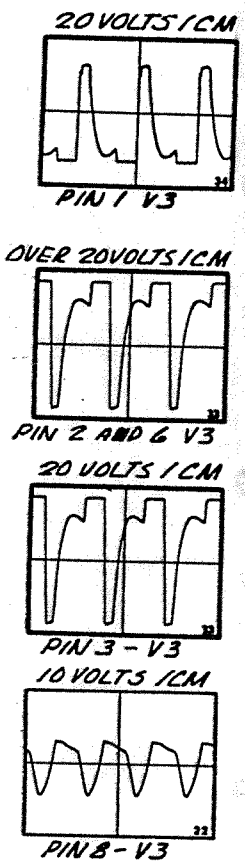
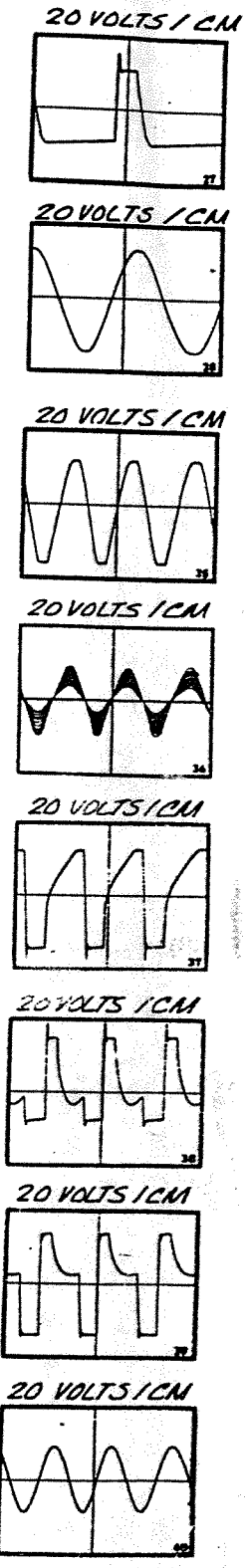


**190L - Sentura II
Sceptre Solarus 100S**



OUTPUT SIGNALS



NOTES
RESISTORS 1/2W 10%
CAPACITORS IN MICROFARADS
MIDBOOST SWITCH I-A, I-B, I-C ON COMMON SHAFT
I-A OPEN WHEN I-B & I-C CLOSED
* FACTORY SELECT 680Ω TO 1.2K
CIRCUIT BOARD ASSY 32-0044A

REVISIONS	DATE	BY
D	REVISED & UPDATE	JM 11-2-22
C	REVISED	10-2-22
B	ECN 249	PHS 2-12
A	REVISED	LD 10-7-11

SCOPE VOLTS / CM IS FOR VERTICAL AMPLIFIER
SENSITIVITY INPUT SIGNAL 2KHz AT V2 VOLTS

Sceptre Solarus 100S

SCEPTRE SOLARUS 100S

sentura II schematic

effective: June 1, 1967

Sunn Musical Equipment Company
amburn industrial park
tualatin, oregon 97062
tel. 503/638-4115

