

REVISIONS				
ZONE	REV.	DESCRIPTION	DATE	APPROVED
	A	RELEASED, PR238	26-FEB-93	
	B	PR248	22-MAR-93	<i>[Signature]</i>

NOTES: UNLESS OTHERWISE SPECIFIED.

- ALL VOLTAGES READ TO GROUND WITH A D.V.M. UNDER THE FOLLOWING CONDITIONS:
 - GRAPHIC EQUALIZER, LOW, MID, AND HIGH FREQUENCY CONTROLS AT CENTER TRAVEL / ROTATION.
 - MAIN AND MONITOR REVERB AT MINIMUM.
 - ALL OTHER CONTROLS AT MAXIMUM.
 - A 1KHZ, UNBALANCED INPUT AT J102.
- ALL RESISTORS 1/4W, ± 5%
- ALL CAPACITORS 63 VOLT MINIMUM.
- LAST INSTANCE:
 - C43, CR2, J8, LD3, P7, R64, S2, U9.
- CIRCUITRY WITHIN DASHED LINES IS IDENTICAL FOR EACH CHANNEL.
- INSTANCE NAMES IN EACH CHANNEL ARE KEYED TO THE CHANNEL NUMBERS.

- SWITCH S1 IS INSTALLED IN THE SR6520P AND SR8520P ONLY.
- JUMPER W29 IS INSTALLED IN THE SR6300P AND SR8300P ONLY. THE JUMPER ENABLES THE POWER AMPLIFIER COMPRESSOR IN THESE MODELS. S1 AND W29 ARE NOT INSTALLED IN THE SR4150P AND THE COMPRESSOR IS ENABLED ON THE POWER AMPLIFIER PCB.

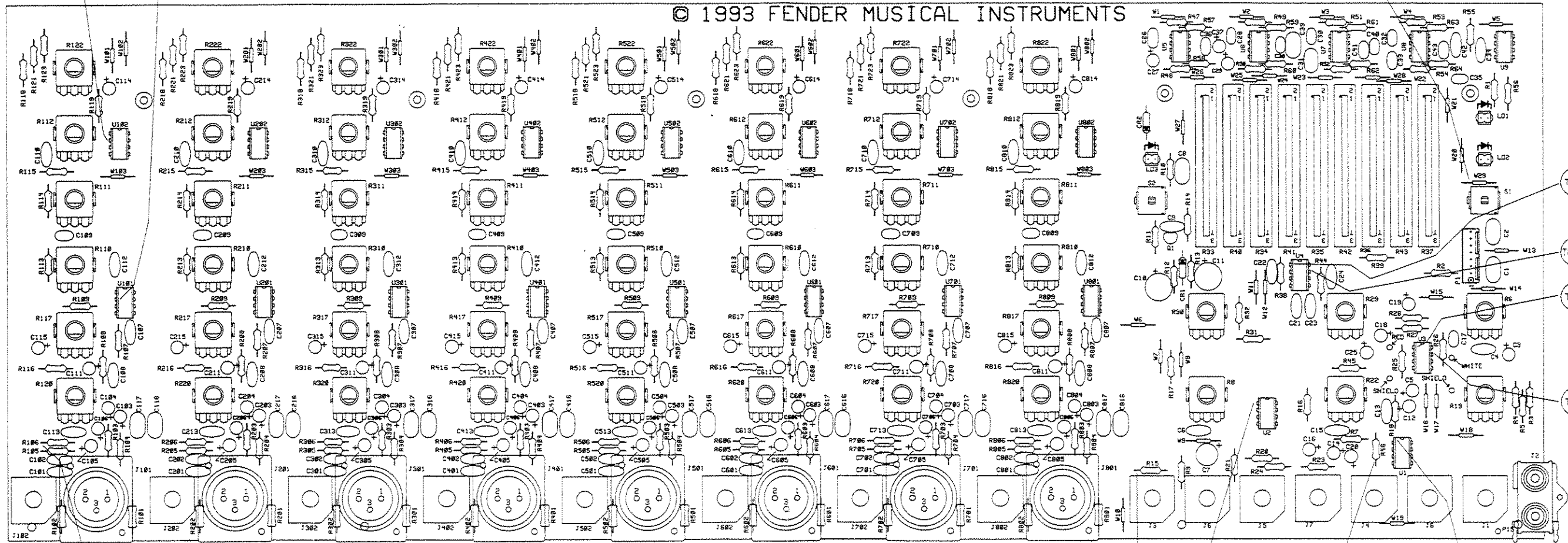
DATABASE FILE: SR4CHS.DBF CHECKED BY: <i>[Signature]</i> DATE: 8-3-93 APPROVED: <i>[Signature]</i> DATE: 1-2-95 TOLERANCES: X.X .250" X.XX .010" X.XXX .005" ANGLES .500°	PROPRIETARY THIS DRAWING OR PORTION THEREOF CONTAINS INFORMATION WHICH IS PROPRIETARY TO AND IS THE PROPERTY OF THE PERIODICAL INSTRUMENTS CO. AND MAY NOT BE USED, REPRODUCED OR DISCLOSED IN ANY MANNER WITHOUT THE EXPRESS WRITTEN CONSENT FROM: PERIODICAL INSTRUMENTS CO. 1130 COLUMBIA ST. BREA, CALIFORNIA 92621	MUSICAL INSTRUMENTS 1130 Columbia Street Brea, Ca. 92621 TITLE: SCHEMATIC FOR SR MIXERS - PREAMP SR4150P, SR6300P, SR6520P, SR8300P, SR8520P SIZE: DRAWN: C. SHAH DRAWING NUMBER: 040762 REV: B D ENGR: C. SHAH NEXT HIGHER ASSEMBLY: CREATED: 10-FEB-93 PLOTTED: 02-AUG-93 SHEET 1 OF 1
---	--	--

0040763000

REVISIONS				
ZONE	REV.	DESCRIPTION	DATE	APPROVED
	A	RELEASED PR240	19-MAR-93	
	B	ECO L02646	08-JUN-93	<i>u</i>

S1 IS NOT ASSEMBLED IN
SR4150P, SR6300P, SR8300P
W29 IS NOT ASSEMBLED IN
SR6520P AND SR8520P

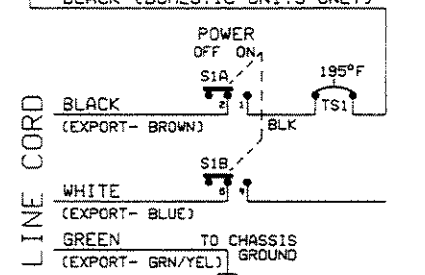
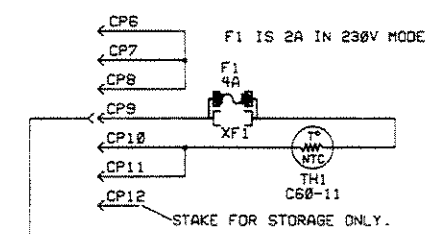
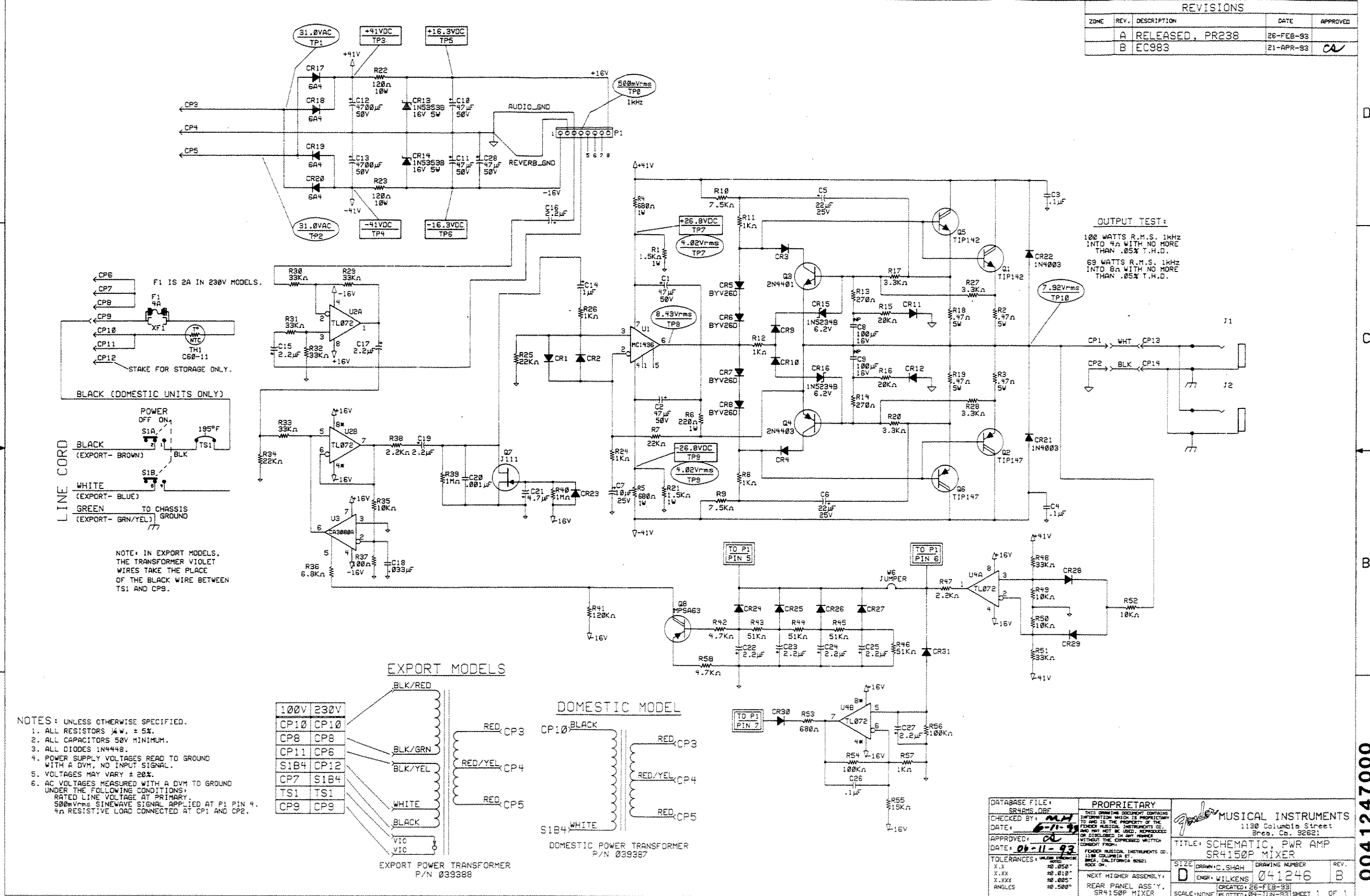
© 1993 FENDER MUSICAL INSTRUMENTS



FILM/DWG: SERVICE DIAGRAM
 DATABASE: SR8CHSER.DBF DATE: 29-JUN-93
 LAYERS PLOTTED: 1 2 3 4 10
 15 18 19

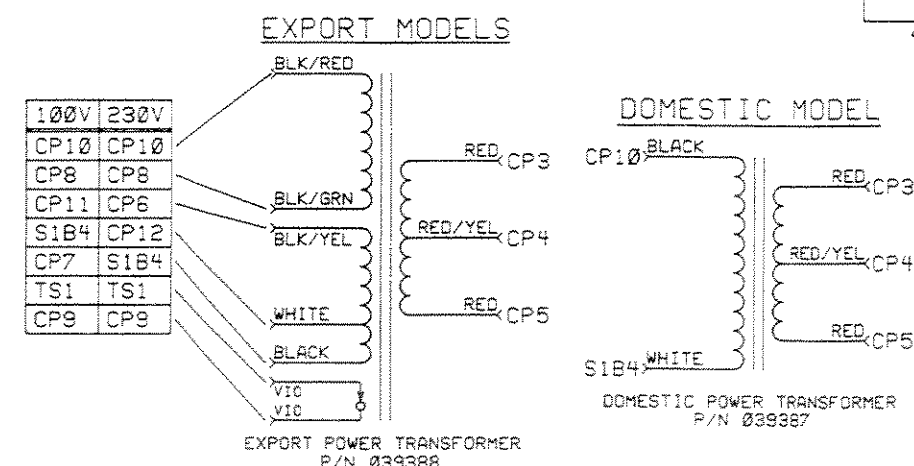
DATABASE FILE: SR8CHSER.DBF CHECKED BY: <i>MH</i> DATE: <i>8-3-93</i> APPROVED: <i>u</i> DATE: <i>8-3-93</i> TOLERANCES: UNLESS OTHERWISE NOTED X.X ±0.050" X.XX ±0.010" X.XXX ±0.005" ANGLES ±0.500°	PROPRIETARY THIS DRAWING DOCUMENT CONTAINS INFORMATION WHICH IS PROPRIETARY TO AND IS THE PROPERTY OF THE FENDER MUSICAL INSTRUMENTS CO., AND MAY NOT BE USED, REPRODUCED OR DISCLOSED IN ANY MANNER WITHOUT THE EXPRESSED WRITTEN CONSENT FROM: FENDER MUSICAL INSTRUMENTS CO. 1130 COLUMBIA ST. BREA, CALIFORNIA 92621 "KNOCK YOURSELF OUT" NEXT HIGHER ASSEMBLY:	Fender MUSICAL INSTRUMENTS 1130 Columbia Street Brea, Ca. 92621 TITLE: SERVICE DRAWING-SR PREAMP SR4150P, SR6300P, SR6520P, SR8300P, SR8520P SIZE: DRAWN: C.SHAH DRAWING NUMBER: 040764 REV. B ENGR: C.SHAH CREATED: 12-MAR-93 PLOTTED: 29-JUN-93 SHEET 1 OF 1
---	--	---

REVISIONS				
ZONE	REV.	DESCRIPTION	DATE	APPROVED
	A	RELEASED, PR238	26-FEB-93	
	B	EC983	21-APR-93	ca



NOTE: IN EXPORT MODELS, THE TRANSFORMER VIOLET WIRES TAKE THE PLACE OF THE BLACK WIRE BETWEEN TS1 AND CP9.

- NOTES: UNLESS OTHERWISE SPECIFIED.
1. ALL RESISTORS $\frac{1}{4}$ W, $\pm 5\%$.
 2. ALL CAPACITORS 50V MINIMUM.
 3. ALL DIODES 1N4448.
 4. POWER SUPPLY VOLTAGES READ TO GROUND WITH A DVM, NO INPUT SIGNAL.
 5. VOLTAGES MAY VARY $\pm 20\%$.
 6. AC VOLTAGES MEASURED WITH A DVM TO GROUND UNDER THE FOLLOWING CONDITIONS:
 RATED LINE VOLTAGE AT PRIMARY.
 500mVrms SINEWAVE SIGNAL APPLIED AT P1 PIN 4.
 4 Ω RESISTIVE LOAD CONNECTED AT CP1 AND CP2.



OUTPUT TEST:
 100 WATTS R.M.S. 1KHZ INTO 4 Ω WITH NO MORE THAN .05% T.H.D.
 69 WATTS R.M.S. 1KHZ INTO 8 Ω WITH NO MORE THAN .05% T.H.D.

DATABASE FILE: SR4150P.DBF CHECKED BY: M.M. DATE: 02-11-93 APPROVED: [Signature] DATE: 02-11-93 TOLERANCES: UNLESS OTHERWISE SPECIFIED: .X.X .050" .X.XX .010" .X.XXX .005" ANGLES .500"	PROPRIETARY THIS DRAWING DOCUMENT CONTAINS INFORMATION WHICH IS PROPRIETARY TO AND IS THE PROPERTY OF THE FENDER MUSICAL INSTRUMENTS CO. AND MAY NOT BE USED, REPRODUCED OR DISCLOSED IN ANY MANNER WITHOUT THE EXPRESS WRITTEN CONSENT FROM: FENDER MUSICAL INSTRUMENTS CO. 1130 COLUMBIA ST. BREA, CALIFORNIA 92621 ROCK ON.	FENDER MUSICAL INSTRUMENTS CO. 1130 Columbia Street Brea, Ca. 92621 TITLE: SCHEMATIC, PWR AMP SR4150P MIXER SIZE: DRAWN: C. SHAH DRAWING NUMBER: 041246 REV. B ENGR: WILKINS REAR PANEL ASS'Y, SR4150P MIXER SCALE: NONE PLOTTED: 04-JUN-93 SHEET 1 OF 1
---	---	---

0041247000

