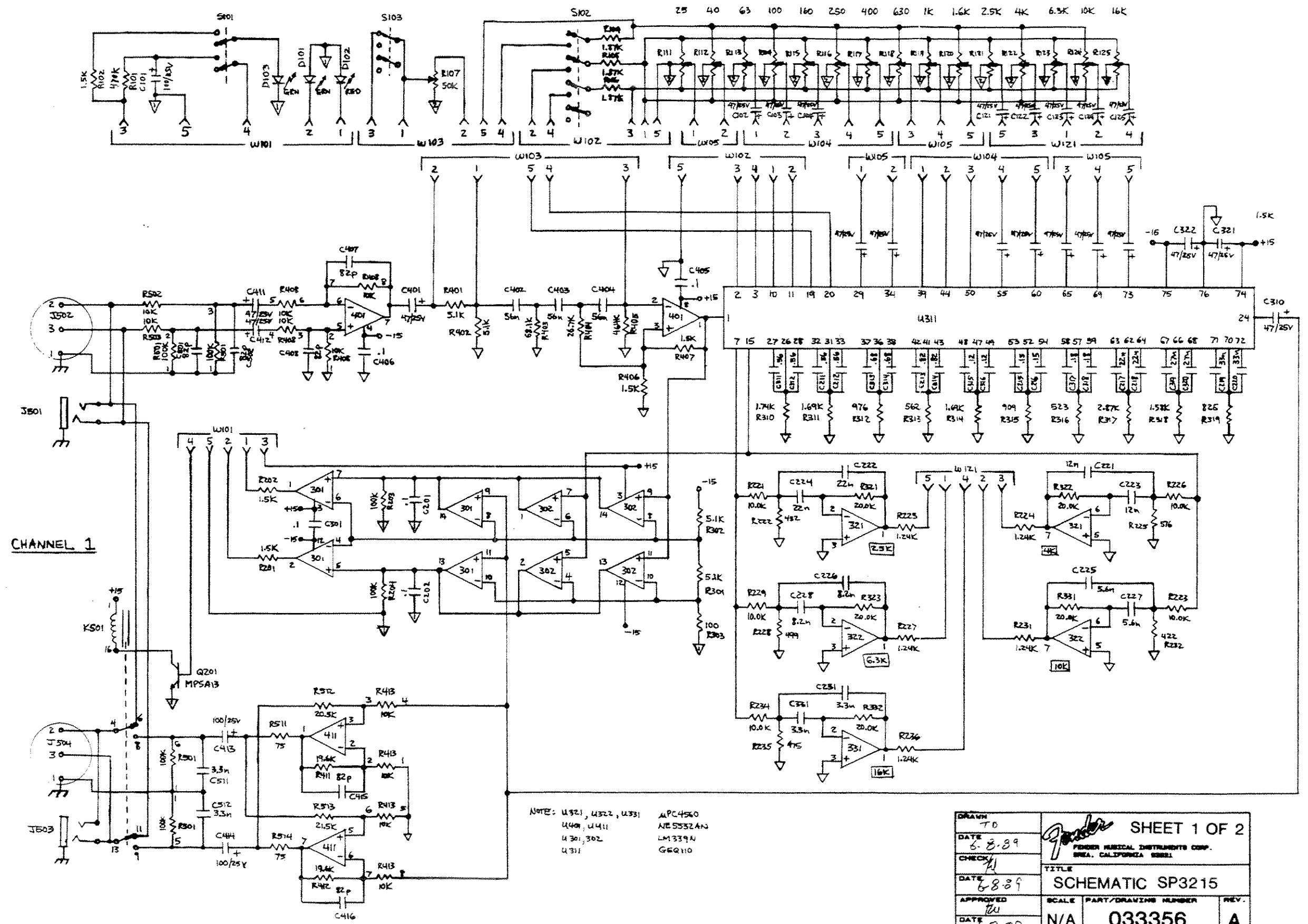


THIS DOCUMENT CONTAINS INFORMATION OF A PROPRIETARY NATURE TO FENDER MUSICAL INSTRUMENTS AND IS SUBMITTED TO YOU IN CONFIDENCE AND SHALL NOT BE DISCLOSED OR TRANSMITTED TO OTHERS WITHOUT AUTHORIZATION FROM FENDER MUSICAL INSTRUMENTS.

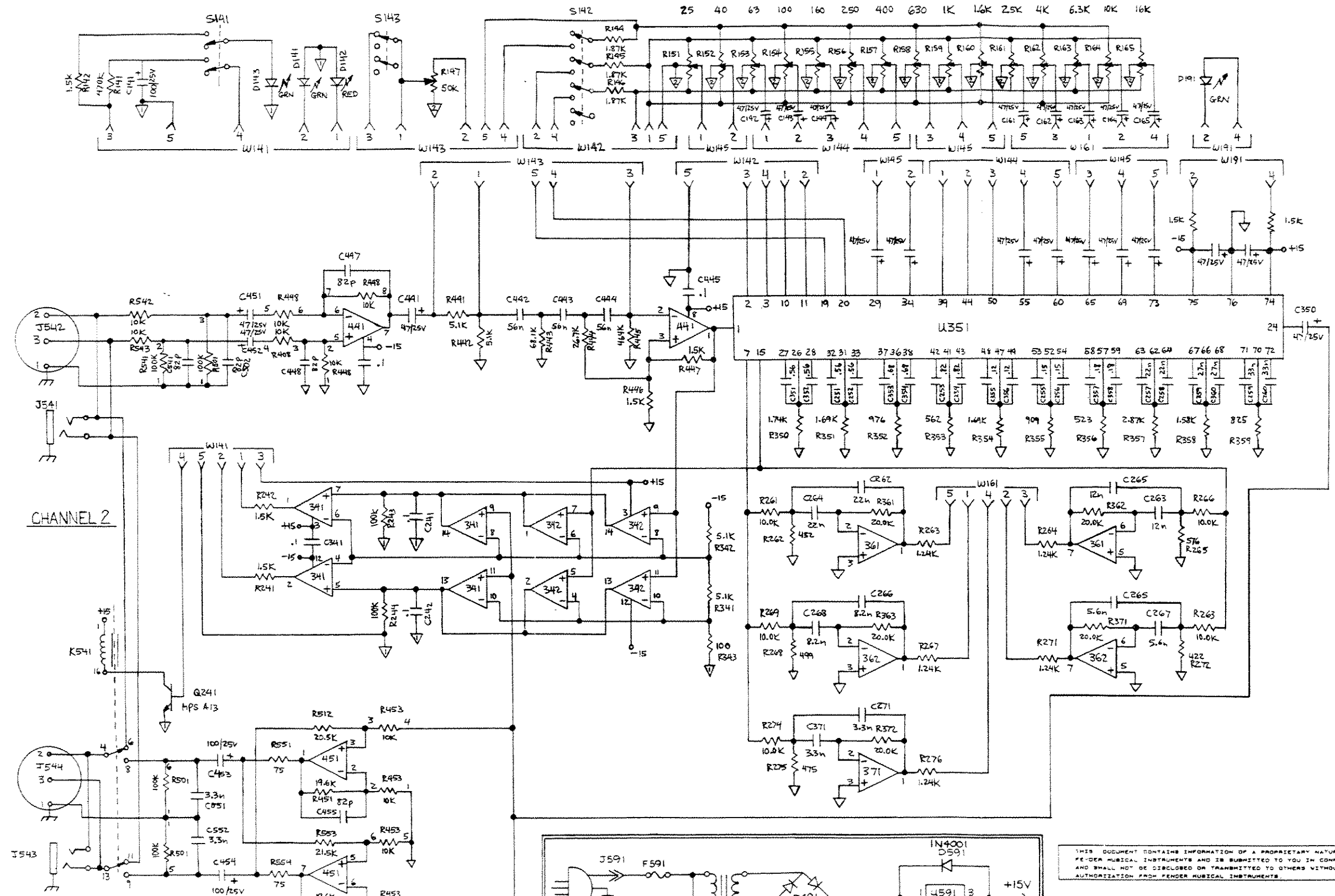


NOTE: U321, U322, U331  
 U401, U411  
 U301, 302  
 U311

APC4560  
 NE5552AN  
 LM339N  
 GER110

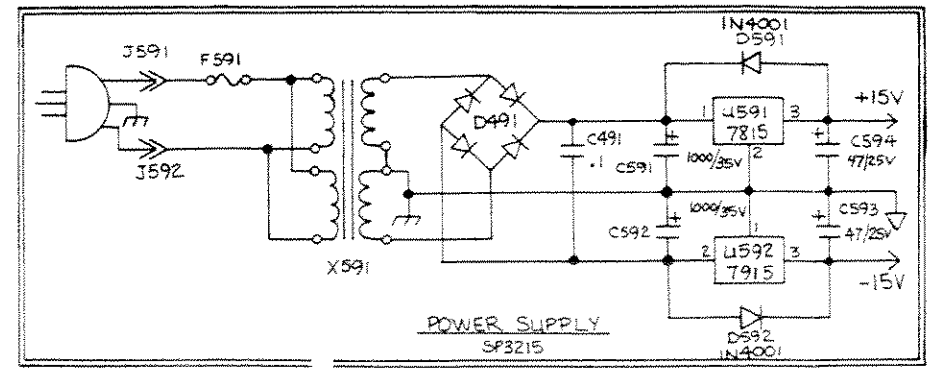
DRAWN TD	SHEET 1 OF 2	
DATE 6-8-89	FENDER MUSICAL INSTRUMENTS CORP. MIRA, CALIFORNIA 94941	
CHECKED JW	TITLE SCHEMATIC SP3215	
DATE 6-8-89	SCALE N/A	PART/DRAWING NUMBER 033356
APPROVED JW		REV. A
DATE 6-8-89		

(033358 REDUCED) SEE SHEET 2 FOR PWR SUPPLY.



CHANNEL 2

NOTE:  
 U301, U302, U371     μ PC 4560  
 U441, U451     NE5532AN  
 U341, U342     LM339N  
 U351     GEQ110



THIS DOCUMENT CONTAINS INFORMATION OF A PROPRIETARY NATURE TO FENDER MUSICAL INSTRUMENTS AND IS SUBMITTED TO YOU IN CONFIDENCE AND SHALL NOT BE DISCLOSED OR TRANSMITTED TO OTHERS WITHOUT AUTHORIZATION FROM FENDER MUSICAL INSTRUMENTS.

DRAWN JD	Fender SHEET 2 OF 2	
DATE 6-9-89	FENDER MUSICAL INSTRUMENTS CORP. MENA, CALIFORNIA 92821	
CHECK JB	TITLE SCHEMATIC SP3215	
DATE 6-9-89	SCALE N/A	PART/DRAWING NUMBER 033356
APPROVED JD	REV. A	

(033358 REDUCED)