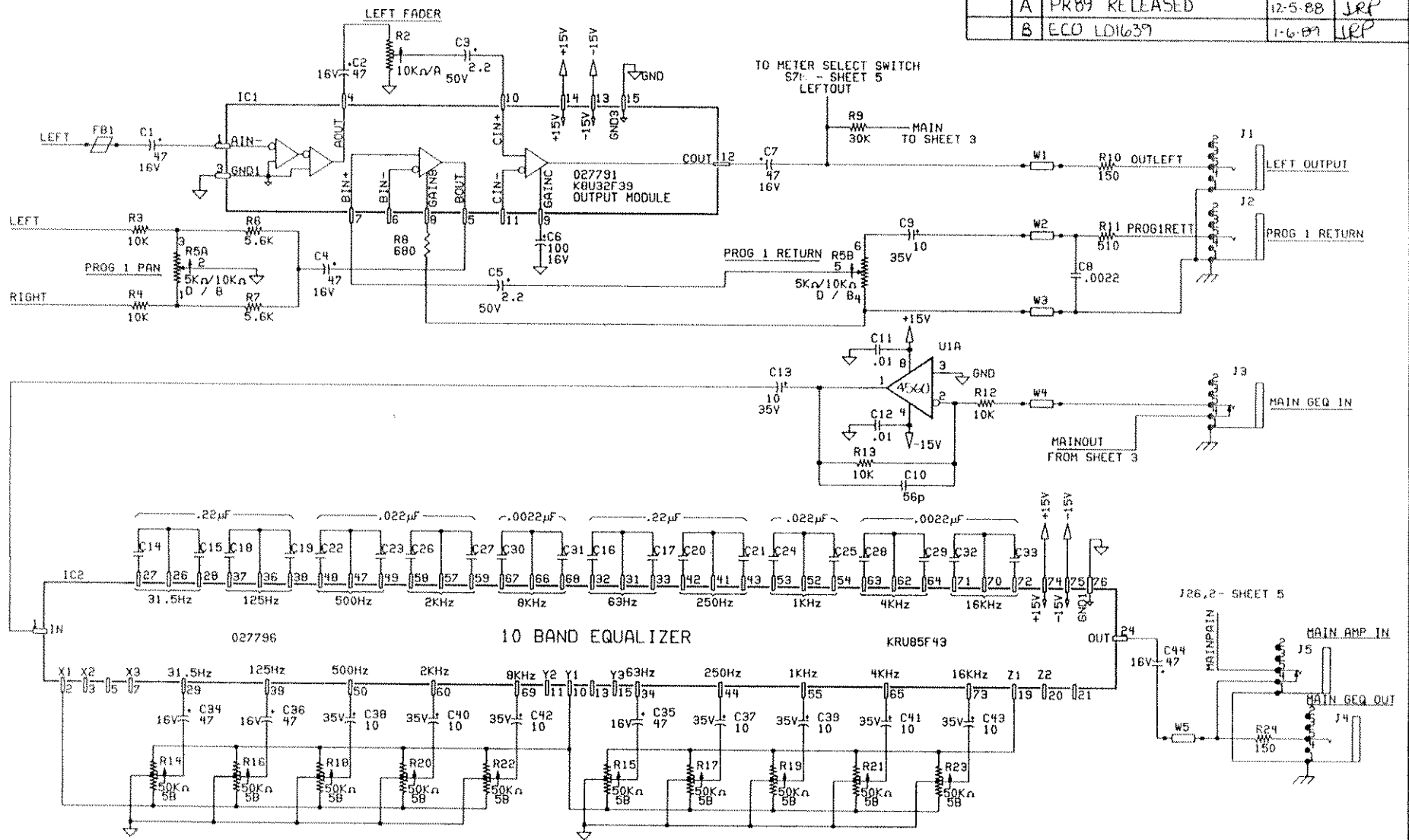


REVISIONS

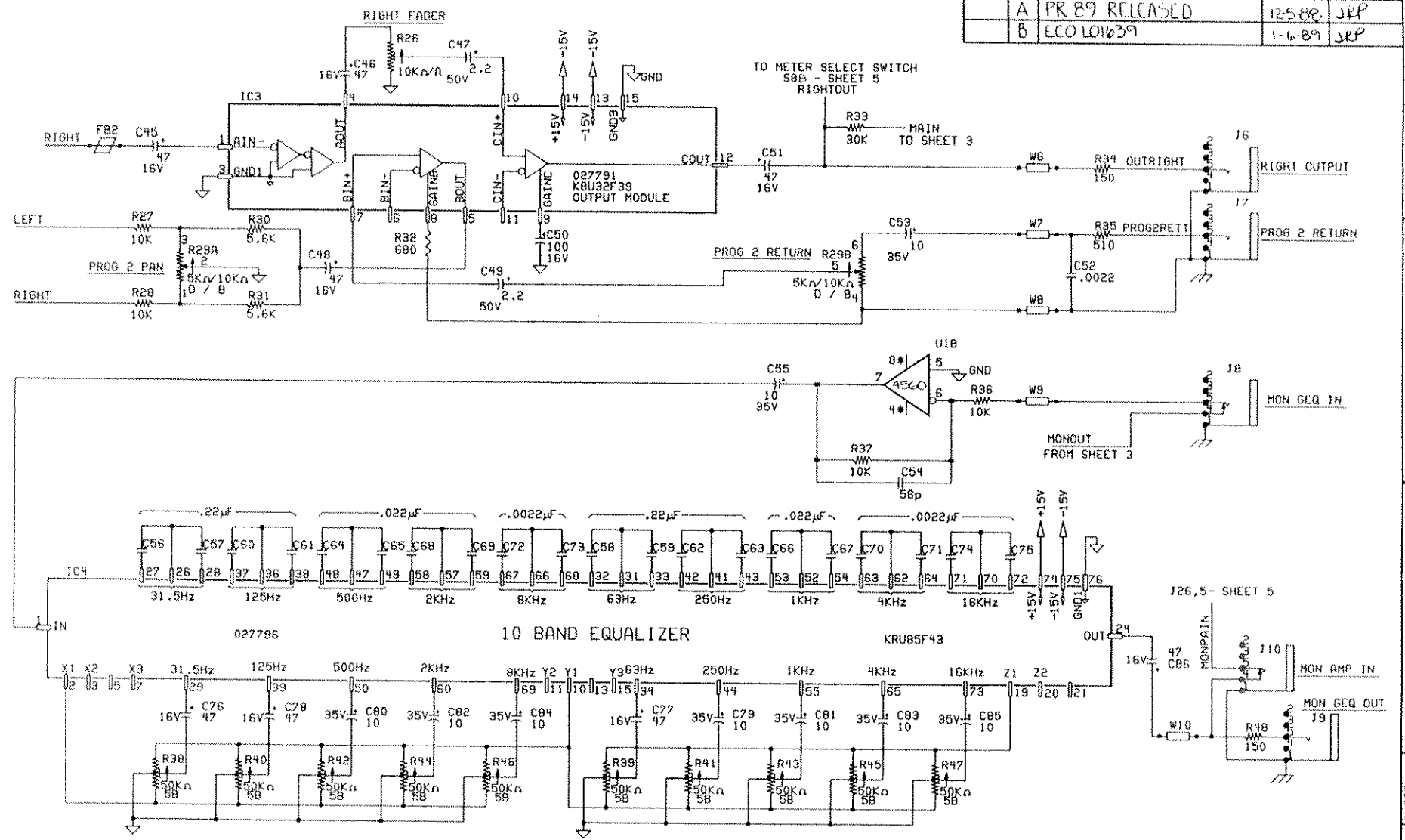
ZONE	REV.	DESCRIPTION	DATE	APPROVED
	A	PR89 RELEASED	12-5-88	JRP
	B	ECO LD1639	1-6-89	JRP



- NOTES:
1. ALL RESISTANCE IS SPECIFIED IN OHMS ( $\Omega$ ).
  2. ALL RESISTORS ARE 1/4W, 5%, UNLESS OTHERWISE NOTED.
  3. ALL CAPACITANCE IS SPECIFIED IN MICRO FARADS ( $\mu$ F), UNLESS OTHERWISE SPECIFIED.
  4. ARROW ON "FADER" RESISTOR INDICATES MOVEMENT UP.
  5. ALL SIGNAL DIODES ARE 1N4448, UNLESS OTHERWISE SPECIFIED.

ASSEMBLY NO. 0029989000	<b>PROPRIETARY</b>	<p>MUSICAL INSTRUMENTS 1130 Columbia Street Brea, Ca. 92621</p>
CHECKED BY: _____	THIS DRAWING DOCUMENT CONTAINS INFORMATION WHICH IS PROPRIETARY TO AND IS THE PROPERTY OF FENDER MUSICAL INST. AND MAY NOT BE USED, REPRODUCED OR DISCLOSED WITHOUT THE EXPRESSED WRITTEN CONSENT FROM: FENDER MUSICAL INST. CO. 1130 COLUMBIA ST. BREA, CA 92621	
DATE: _____	APPROVED: <i>JRP</i>	TITLE: SCHEMATIC PX21 MASTER OUTPUT MODULE
DATE: 12-5-88	TOLERANCES: X.X ± 0.050" X.XX ± 0.010" X.XXX ± 0.005" ANGLES ± 0.500° UNLESS OTHERWISE NOTED	SIZE: <b>C</b> DRAWN: MULLIN DRAWING NUMBER: 029948 REV: <b>B</b>
		SCALE: _____ DATE: 11-7-88 SHEET 1 OF 5

REVISIONS				
ZONE	REV.	DESCRIPTION	DATE	APPROVED
	A	PR 89 RELEASED	12-5-88	JRP
	B	ECO LOW 39	1-6-89	JRP

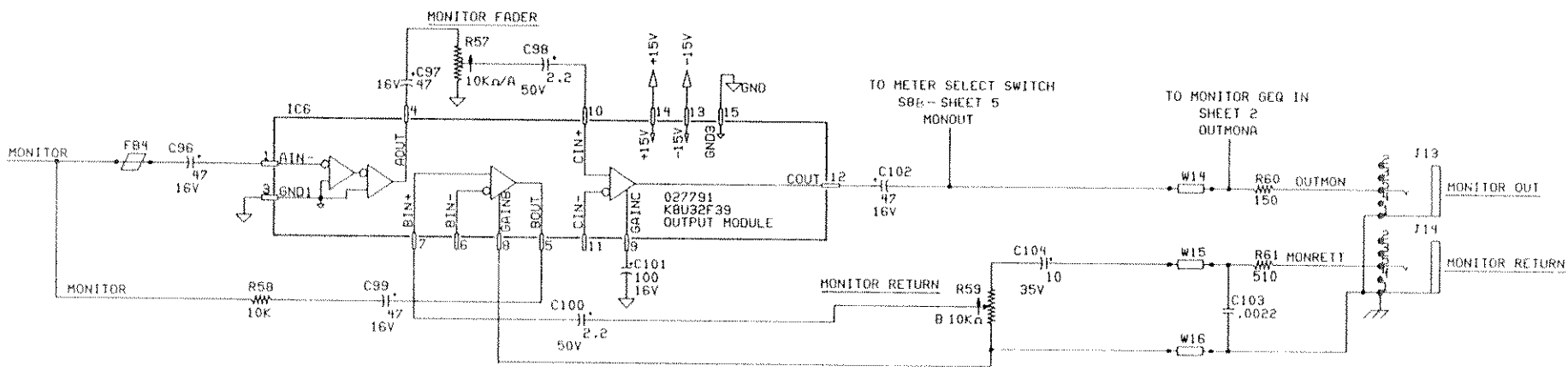
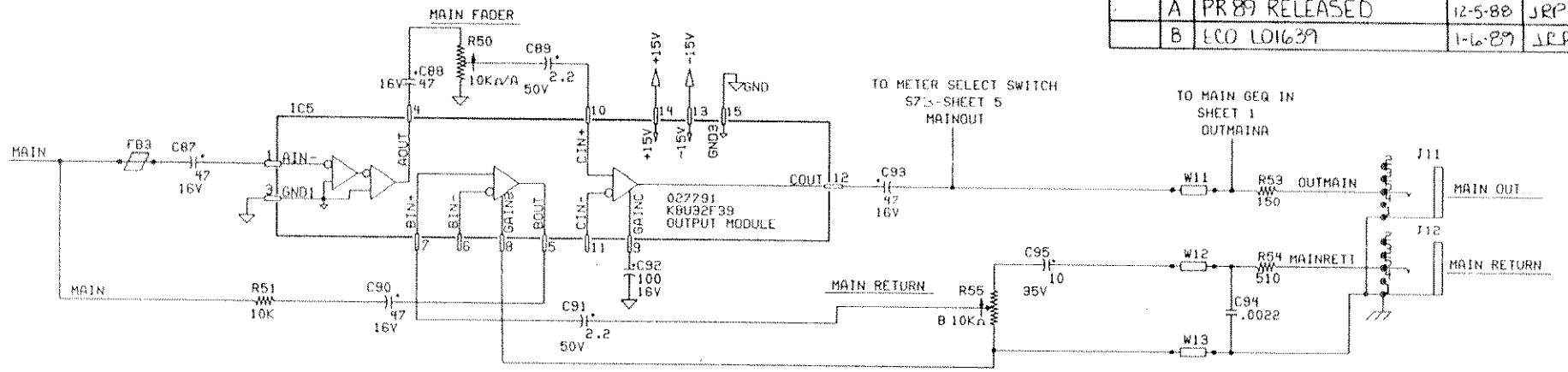


- NOTES:
1. ALL RESISTANCE IS SPECIFIED IN OHMS ( $\Omega$ ).
  2. ALL RESISTORS ARE  $\frac{1}{4}$ W, 5%, UNLESS OTHERWISE NOTED.
  3. ALL CAPACITANCE IS SPECIFIED IN MICRO FARADS ( $\mu$ F), UNLESS OTHERWISE SPECIFIED.
  4. ARROW ON "FADER" RESISTOR INDICATES MOVEMENT UP.
  5. ALL SIGNAL DIODES ARE 1N4448, UNLESS OTHERWISE SPECIFIED.

ASSEMBLY NO. 0029989000	PROPRIETARY	<b>MUSICAL INSTRUMENTS</b> 1130 Columbia Street Brea, Ca. 92621
CHECKED BY: _____	THIS DRAWING DOCUMENT CONTAINS INFORMATION WHICH IS PROPRIETARY TO AND IS THE PROPERTY OF FENDER MUSICAL INST. AND MAY NOT BE USED.	
DATE: _____	REPRODUCED OR DISCLOSED WITHOUT THE EXPRESSED WRITTEN CONSENT FROM:	TITLE: SCHEMATIC
APPROVED: <i>JRP</i>	FENDER MUSICAL INST. CO. 1130 COLUMBIA ST. BREA, CA 92621	<b>PX21 MASTER OUTPUT MODULE</b> SIZE: DRAWN: MULLIN DRAWING NUMBER: REV. B ENGR: PERKINS 029948
DATE: 12-5-88	TOLERANCES: X.X ± 0.050" X.XX ± 0.010" X.XXX ± 0.005" ANGLES ± 0.600° UNLESS OTHERWISE NOTED	SCALE: DATE: 11-7-88 SHEET 2 OF 5

PART NO. 0031760000 SHEET 2

REVISIONS				
ZONE	REV.	DESCRIPTION	DATE	APPROVED
	A	PR 89 RELEASED	12-5-88	JRP
	B	ECO L01639	1-6-89	JRP

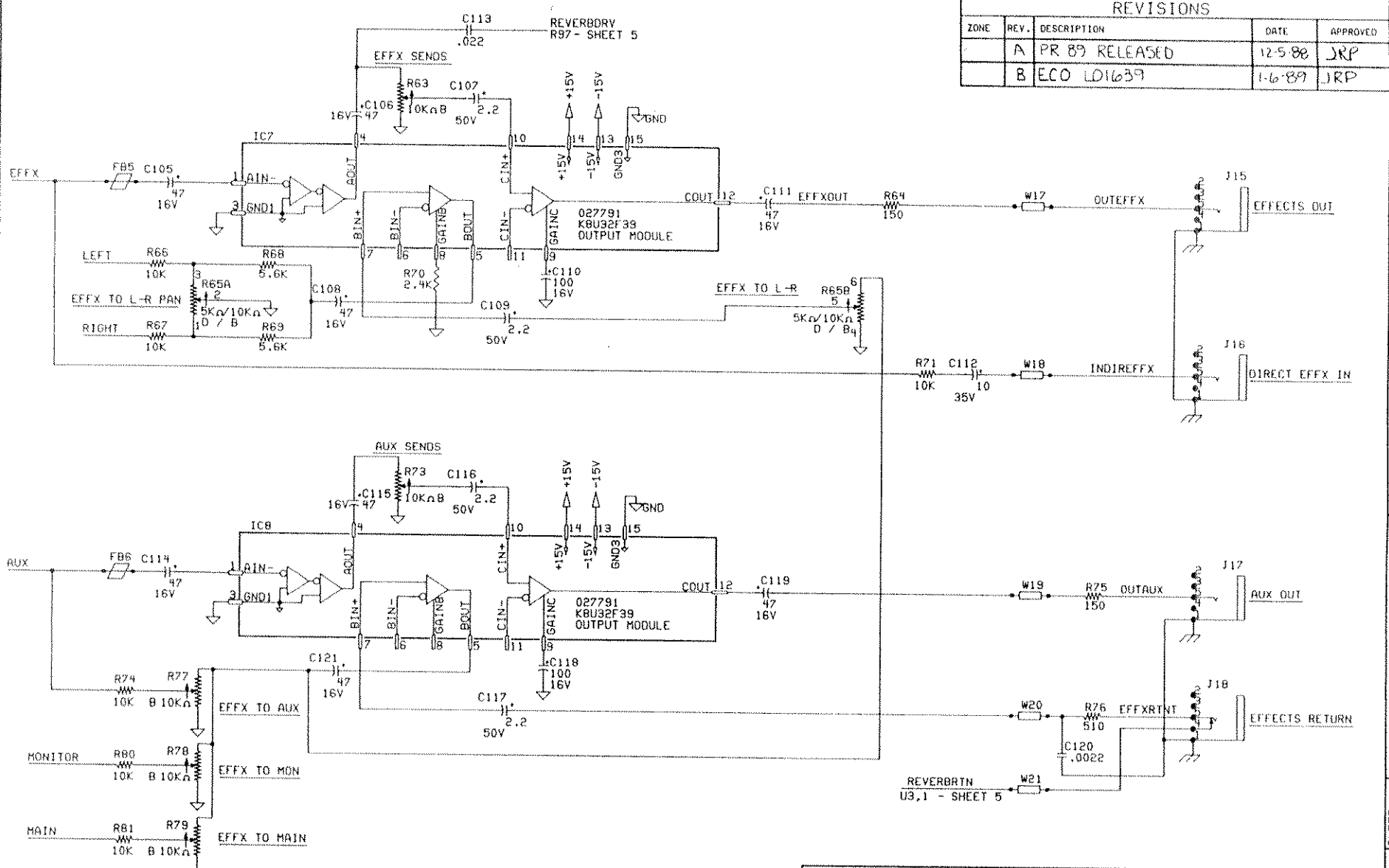


- NOTES:
1. ALL RESISTANCE IS SPECIFIED IN OHMS ( $\Omega$ ).
  2. ALL RESISTORS ARE 1/4W, 5%, UNLESS OTHERWISE NOTED.
  3. ALL CAPACITANCE IS SPECIFIED IN MICRO FARADS ( $\mu$ F), UNLESS OTHERWISE SPECIFIED.
  4. ARROW ON "FADER" RESISTOR INDICATES MOVEMENT UP.
  5. ALL SIGNAL DIODES ARE 1N4448, UNLESS OTHERWISE SPECIFIED.

ASSEMBLY NO. 0029999000	PROPRIETARY	<b>MUSICAL INSTRUMENTS</b> 1130 Columbia Street Brea, Ca. 92621
CHECKED BY: _____	THIS DRAWING DOCUMENT CONTAINS INFORMATION WHICH IS PROPRIETARY TO AND IS THE PROPERTY OF FENDER MUSICAL INST. AND MAY NOT BE USED, REPRODUCED OR DISCLOSED WITHOUT THE EXPRESSED WRITTEN CONSENT FROM:	
APPROVED: <i>JRP</i>	FENDER MUSICAL INST. CO. 1130 COLUMBIA ST. BREA, CA 92621	TITLE: SCHEMATIC PX21 MASTER OUTPUT MODULE
DATE: 12-5-88		SIZE: <b>C</b> DRAWN: MULLIN DRAWING NUMBER: 029948 REV: <b>B</b>
TOLERANCES: X.X ± 0.050° X.XX ± 0.010° X.XXX ± 0.005° ANGLES ± 0.500° UNLESS OTHERWISE NOTED		SCALE: _____ DATE: 11-7-88 SHEET 3 OF 5

PART NO. 0031760000 SHEET 3

REVISIONS				
ZONE	REV.	DESCRIPTION	DATE	APPROVED
	A	PR 89 RELEASED	12-5-88	JRP
	B	ECO LD1639	1-6-89	JRP

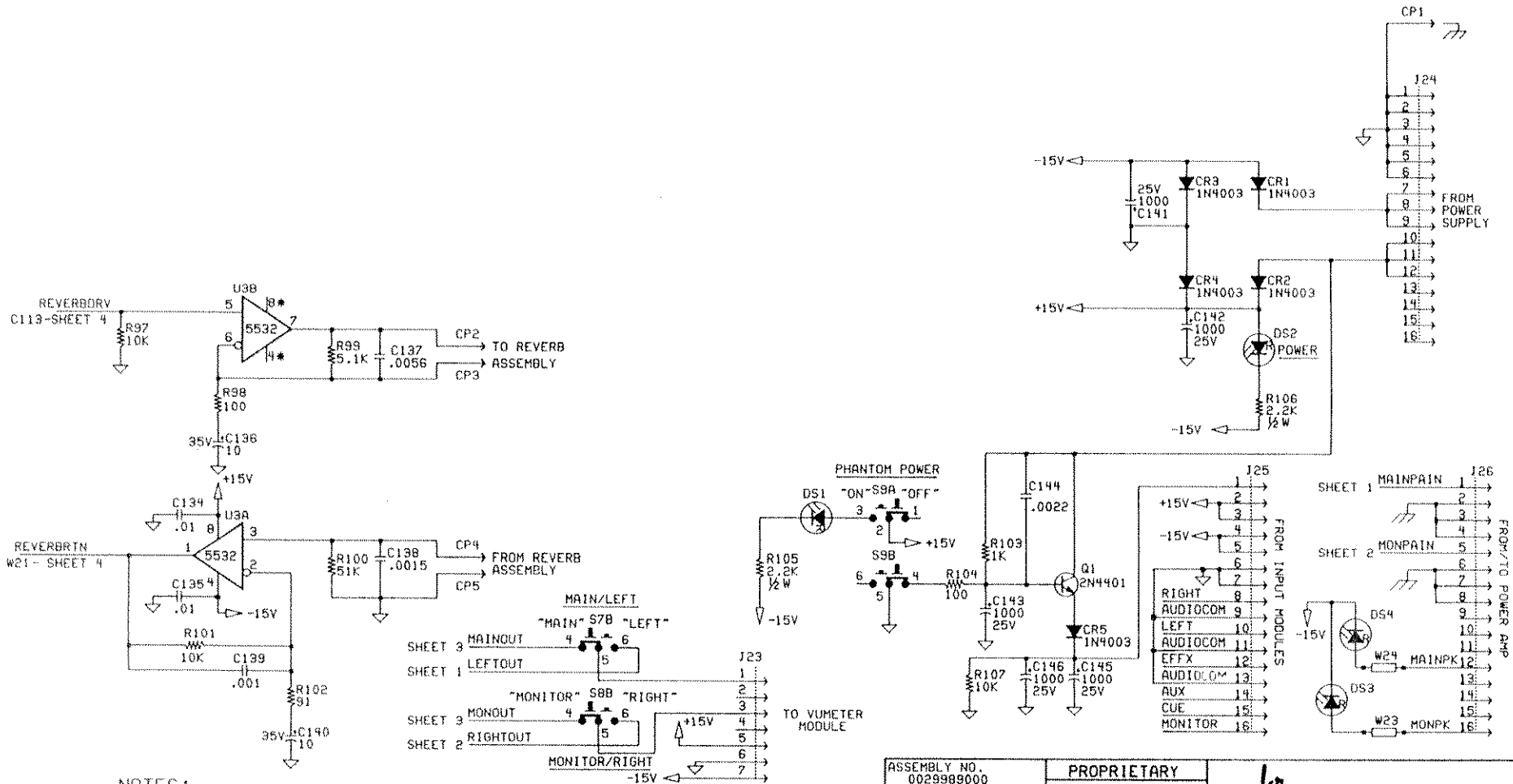


- NOTES:
1. ALL RESISTANCE IS SPECIFIED IN OHMS ( $\Omega$ ).
  2. ALL RESISTORS ARE  $\frac{1}{4}$ W, 5%, UNLESS OTHERWISE NOTED.
  3. ALL CAPACITANCE IS SPECIFIED IN MICRO FARADS ( $\mu$ F), UNLESS OTHERWISE SPECIFIED.
  4. ARROW ON "FADER" RESISTOR INDICATES MOVEMENT UP.
  5. ALL SIGNAL DIODES ARE 1N4448, UNLESS OTHERWISE SPECIFIED.

ASSEMBLY NO. 0029989000	PROPRIETARY	 <b>FENDER</b> MUSICAL INSTRUMENTS 1130 Columbia Street Brea, Ca. 92621
CHECKED BY: _____	THIS DRAWING DOCUMENT CONTAINS INFORMATION WHICH IS PROPRIETARY TO AND IS THE PROPERTY OF FENDER MUSICAL INST. AND MAY NOT BE USED, REPRODUCED OR DISCLOSED WITHOUT THE EXPRESSED WRITTEN CONSENT FROM:	
DATE: _____	FENDER MUSICAL INST. CO. 1130 COLUMBIA ST. BREA, CA 92621	TITLE: SCHEMATIC PX21 MASTER OUTPUT MODULE
APPROVED: <i>JRP</i>		SIZE: <b>C</b> DRAWN: MULLIN DRAWING NUMBER: 029948 REV: <b>B</b>
DATE: 12-5-88		SCALE: _____ DATE: 11-7-88 SHEET 4 OF 5
TOLERANCES:		
X.X ± 0.050"		
X.XX ± 0.010"		
X.XXX ± 0.005"		
ANGLES ± 0.500°		
UNLESS OTHERWISE NOTED		

PART NO. 0051760 000 SHEET 4

REVISIONS				
ZONE	REV.	DESCRIPTION	GATE	APPROVED
	A	PR 89 RELEASED	12-5-88	JRP
	B	ECO LD1639	1-6-89	JRP

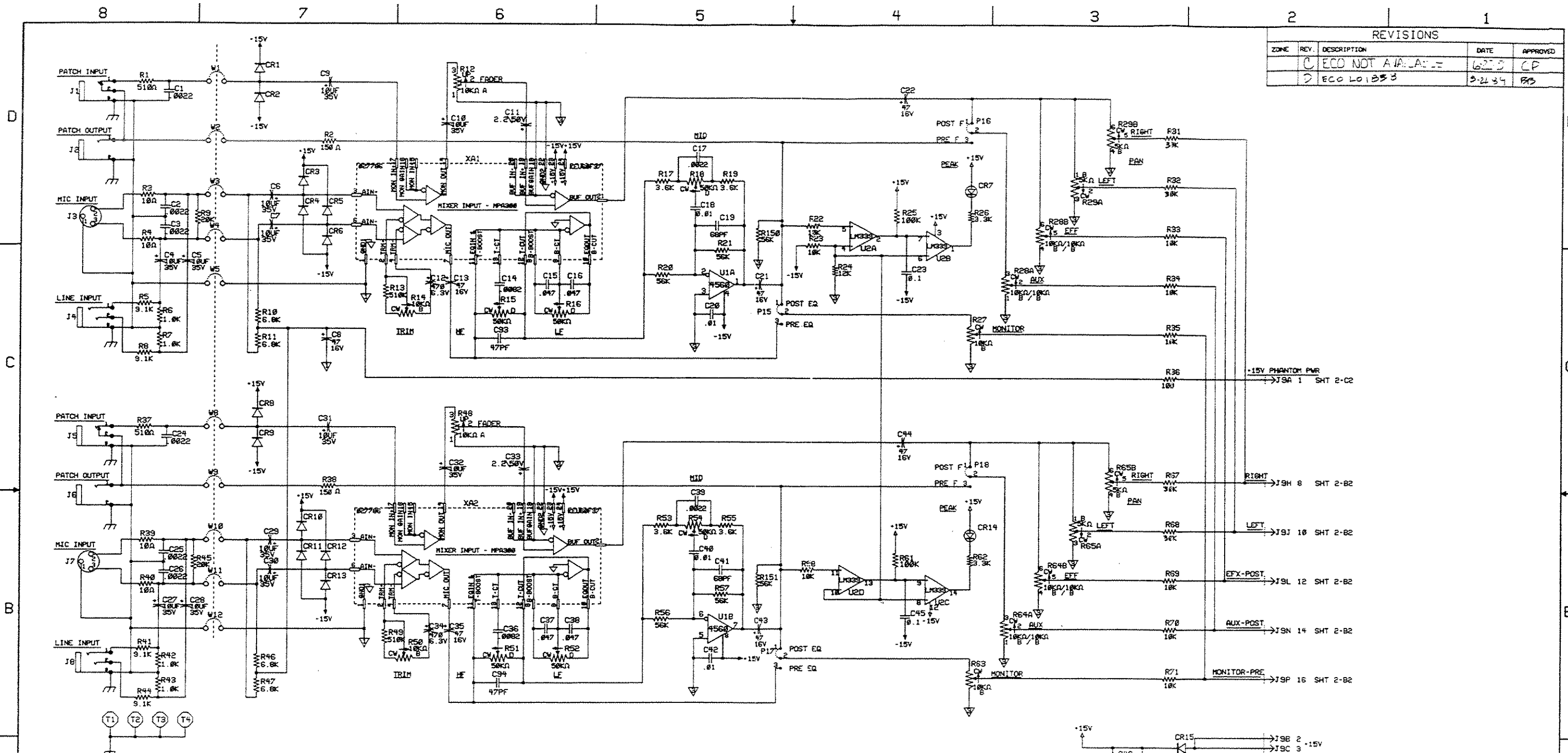


- NOTES:
1. ALL RESISTANCE IS SPECIFIED IN OHMS ( $\Omega$ ).
  2. ALL RESISTORS ARE  $\frac{1}{4}$ W, 5%, UNLESS OTHERWISE NOTED.
  3. ALL CAPACITANCE IS SPECIFIED IN MICRO FARADS ( $\mu$ F), UNLESS OTHERWISE SPECIFIED.
  4. ARROW ON "FADER" RESISTOR INDICATES MOVEMENT UP.
  5. ALL SIGNAL DIODES ARE 1N4448, UNLESS OTHERWISE SPECIFIED.

ASSEMBLY NO. 0029989000	PROPRIETARY	<b>MUSICAL INSTRUMENTS</b> 1130 Columbia Street Brea, Ca. 92621
CHECKED BY: _____	THIS DRAWING DOCUMENT CONTAINS INFORMATION WHICH IS PROPRIETARY TO AND IS THE PROPERTY OF FENDER MUSICAL INST. AND MAY NOT BE USED, REPRODUCED OR DISCLOSED WITHOUT THE EXPRESSED WRITTEN CONSENT FROM: FENDER MUSICAL INST. CO. 1130 COLUMBIA ST. BREA, CA 92621	
DATE: _____	APPROVED: <i>SXP</i>	TITLE: SCHEMATIC PX21 MASTER OUTPUT MODULE
DATE: 12-5-88	TOLERANCES:	SIZE: <b>C</b> DRAWN: MULLIN DRAWING NUMBER: 029948 REV. <b>B</b>
	X.X ± 0.050"	ENGR: PERKINS
	X.XX ± 0.010"	SCALE: _____ DATE: 11-7-88 SHEET 5 OF 5
	X.XXX ± 0.005"	
	ANGLES ± 0.500°	
	UNLESS OTHERWISE NOTED	

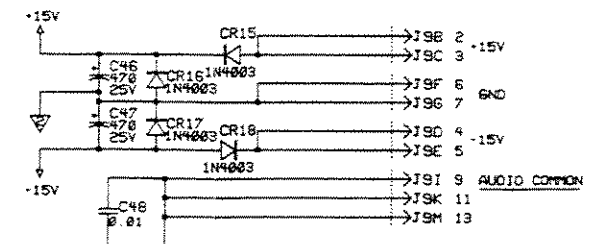
PART NO. 0031760000 SHEET 5

REVISIONS				
ZONE	REV.	DESCRIPTION	DATE	APPROVED
	C	ECO NOT AVAILABLE	6-23-83	CP
	D	ECO L01B53	9-21-84	RS



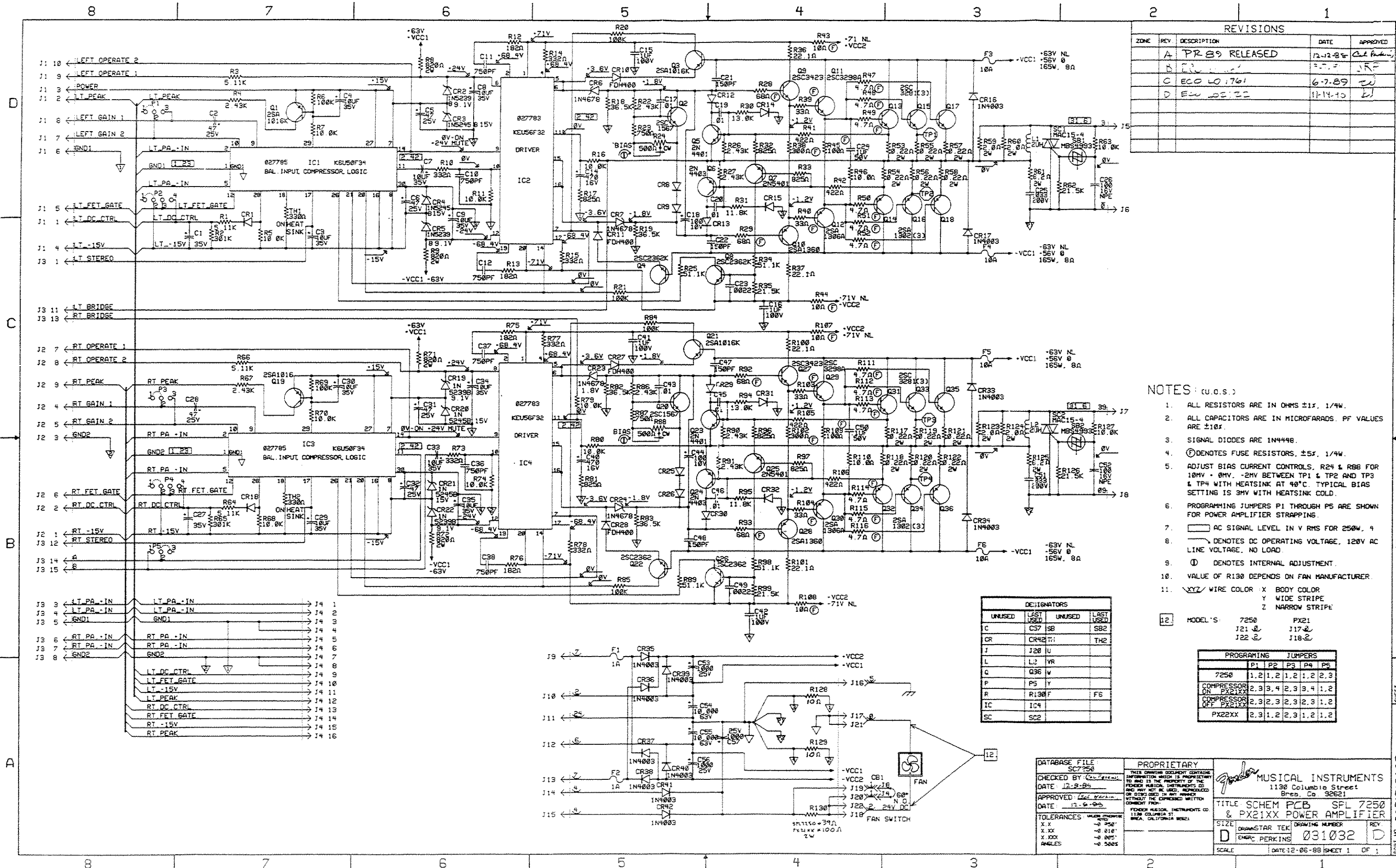
- NOTES: (c.u.o.s.)
1. ALL RESISTORS ARE IN OHMS 1/4W 5%.
  2. CAPACITORS ARE IN UF.
  3. ALL DIODES ARE 1N4448.

DESIGNATORS			
UNUSED	LAST USED	UNUSED	LAST USED
C	C96	S	-
CR	CR32	T	T4
J	J17	U	U4
L	-	VR	-
C	-	W 6,7,13-18,	W30
P1-14,19-47	P51	Y	-
R 36,146-148	R153	XA	XA4



DATABASE FILE: SCPX21-1 CHECKED BY: DATE: APPROVED: DATE:	PROPRIETARY THIS DRAWING OR COPY THEREOF CONTAINS INFORMATION WHICH IS PROPRIETARY TO AND IS THE PROPERTY OF THE FENDER MUSICAL INSTRUMENTS CO. AND MAY NOT BE USED, REPRODUCED OR DISCLOSED IN ANY MANNER WITHOUT THE EXPRESSED WRITTEN CONSENT FROM: FENDER MUSICAL INSTRUMENTS CO. 1150 COLUMBIA ST. BREA, CALIFORNIA 92621	TITLE <b>PX21 SCHEMATIC INPUT CHANNEL</b> SIZE D DRAWN BY STAR TEK DRAWING NUMBER <b>030983</b> REV D NEXT HIGHER ASSEMBLY: SCALE: 1:1 DATE: 4-29-83 SHEET 1 OF 2
--	--	---

003186307



REVISIONS				
ZONE	REV	DESCRIPTION	DATE	APPROVED
	A	PR 89 RELEASED	12-12-88	Cal Perkins
	B	ECO LO 1761	6-7-89	JRF
	C	ECO LO 1761	6-7-89	JRF
	D	ECO LO 1761	11-14-10	JRF

- NOTES (U.O.S.)
- ALL RESISTORS ARE IN OHMS ±1%. 1/4W.
  - ALL CAPACITORS ARE IN MICROFARADS. PF VALUES ARE ±10%.
  - SIGNAL DIODES ARE 1N4448.
  - ⊙ DENOTES FUSE RESISTORS. ±5%. 1/4W.
  - ADJUST BIAS CURRENT CONTROLS, R24 & R86 FOR 10MV ±0MV. -24V MUTE AT TP1 & TP2 AND TP3 & TP4 WITH HEATSINK AT 40°C. TYPICAL BIAS SETTING IS 3MV WITH HEATSINK COLD.
  - PROGRAMMING JUMPERS P1 THROUGH P5 ARE SHOWN FOR POWER AMPLIFIER STRAPPING.
  - AC SIGNAL LEVEL IN V RMS FOR 250W. 4
  - DENOTES DC OPERATING VOLTAGE. 120V AC LINE VOLTAGE. NO LOAD.
  - Ⓧ DENOTES INTERNAL ADJUSTMENT.
  - VALUE OF R130 DEPENDS ON FAN MANUFACTURER.
  - XYZ WIRE COLOR: X BODY COLOR, Y WIDE STRIPE, Z NARROW STRIPE.

DESIGNATORS			
UNUSED	LAST USED	UNUSED	LAST USED
C	C37	S8	S82
CR	CR42	T1	TH2
J	J20	U	
L	L2	VR	
Q	Q36	V	
P	P5	Y	
R	R130	F	FS
IC	IC4		
SC	SC2		

	PROGRAMMING JUMPERS				
	P1	P2	P3	P4	P5
7250	1.2	1.2	1.2	1.2	2.3
COMPRESSOR ON PX21XX	2.3	3.4	2.3	3.4	1.2
COMPRESSOR OFF PX21XX	2.3	2.3	2.3	2.3	1.2
PX22XX	2.3	1.2	2.3	1.2	1.2

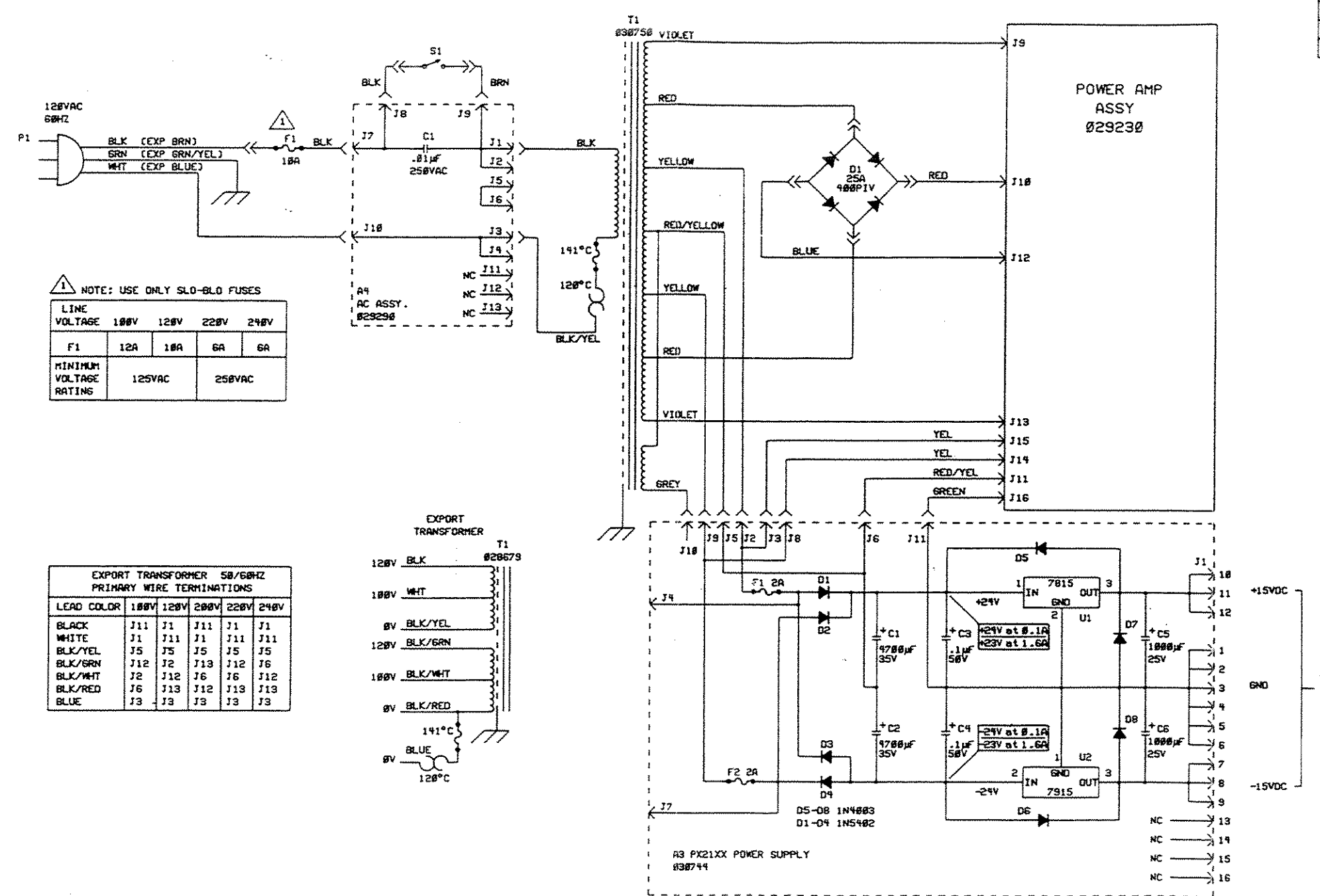
DATABASE FILE: SC7250  
 CHECKED BY: Cal Perkins  
 DATE: 12-8-88  
 APPROVED: Cal Perkins  
 DATE: 12-8-88

**PROPRIETARY**  
 THIS DRAWING DOCUMENT CONTAINS INFORMATION WHICH IS PROPRIETARY TO AND IS THE PROPERTY OF THE FENDER MUSICAL INSTRUMENTS CO. AND MAY NOT BE USED, REPRODUCED OR DISSEMINATED IN ANY MANNER WITHOUT THE WRITTEN COMMENT FROM FENDER MUSICAL INSTRUMENTS CO. BREA, CALIFORNIA 92621

**Fender** MUSICAL INSTRUMENTS  
 1130 Columbia Street  
 Brea, Ca 92621

TITLE: SCHEM PCB SPL 7250 & PX21XX POWER AMPLIFIER  
 SIZE: D  
 DRAWN: STAR TEK  
 CHECKED: PERKINS  
 DRAWING NUMBER: 031032  
 REV: D  
 SCALE: DATE: 12-06-88 SHEET 1 OF 1

REVISIONS				
ZONE	REV.	DESCRIPTION	DATE	APPROVED
	A	PR89	2-6-89	KE
	B	L01682	3-31-89	ES

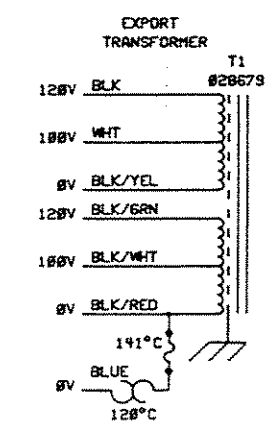


NOTE: USE ONLY SLO-BLO FUSES

LINE VOLTAGE	180V	120V	220V	240V
F1	12A	18A	6A	6A
MINIMUM VOLTAGE RATINGS		125VAC	250VAC	

EXPORT TRANSFORMER 50/60HZ PRIMARY WIRE TERMINATIONS

LEAD COLOR	180V	120V	200V	220V	240V
BLACK	J11	J1	J11	J1	J1
WHITE	J1	J11	J1	J11	J11
BLK/YEL	J5	J5	J5	J5	J5
BLK/GRN	J12	J2	J13	J12	J6
BLK/WHT	J2	J12	J6	J6	J12
BLK/RED	J6	J13	J12	J13	J13
BLUE	J3	J3	J3	J3	J3



A3 PX21XX POWER SUPPLY #38744

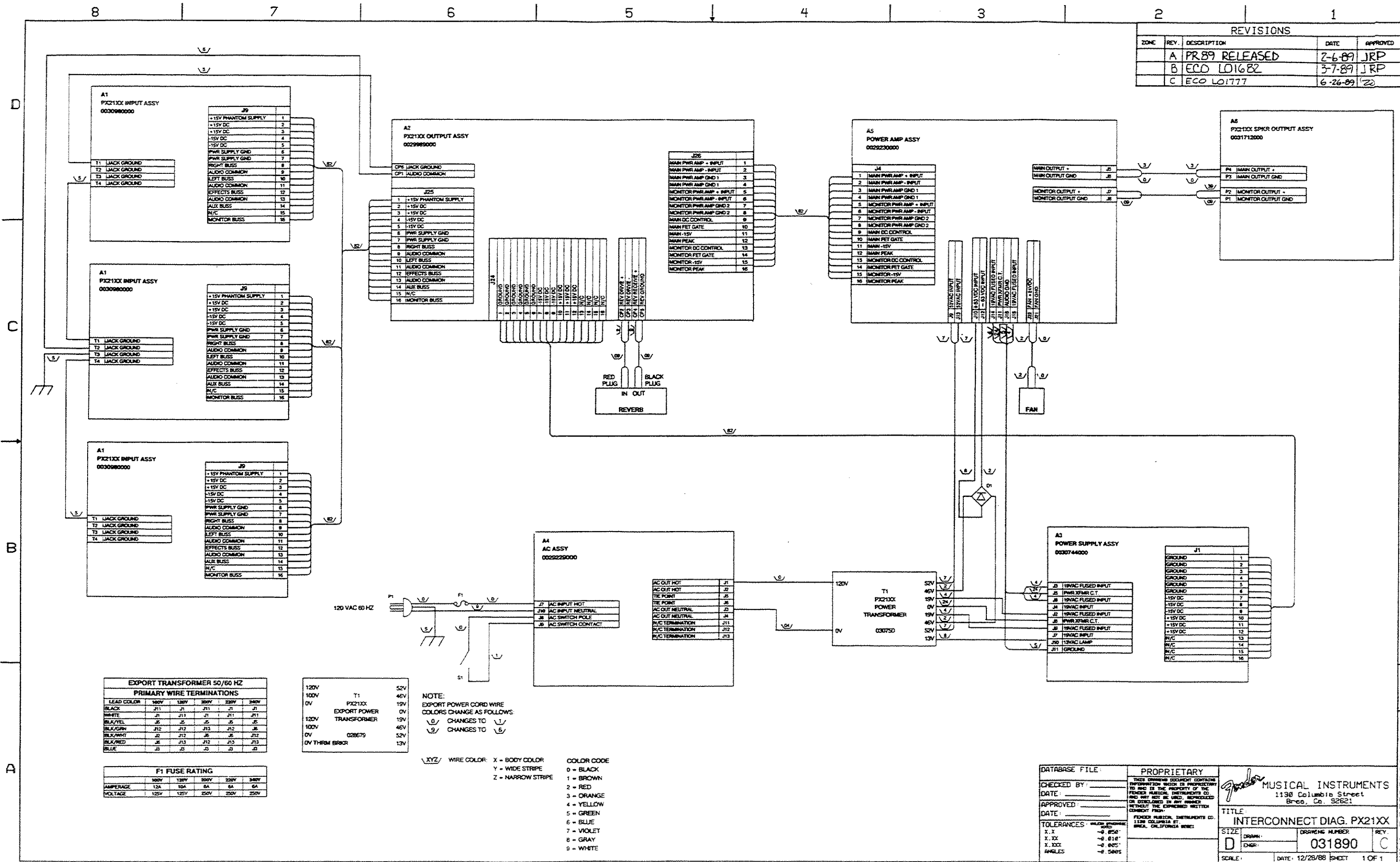
1. VOLTAGES SHOWN AT 120VAC INPUT.  
NOTES: UNLESS OTHERWISE SPECIFIED

REF. DES.	ITEM	QTY	PART NO.	DESCRIPTION
DATABASE FILE: PX21.DBF				
CHECKED BY: KE				
DATE: 2-7-89				
APPROVED: KE				
DATE: 2-11-89				
TOLERANCES: UNLESS OTHERWISE SPECIFIED				
X.XX .005"				
X.XXX .010"				
X.XXX .015"				
ANGLES .005"				
NEXT HIGHER ASSEMBLY: PX21XX				
MUSICAL INSTRUMENTS 1138 Columbia Street Brook, Co. 92621				TITLE: SCHEMATIC AC & POWER SUPPLY
SIZE: D	DRAWN: R. DEB	DRAWING NUMBER: 030746	REV. B	
SCALE:				DATE: 3-30-89 SHEET 1 OF 1

0031908000



REVISIONS				
ZONE	REV.	DESCRIPTION	DATE	APPROVED
	A	PR89 RELEASED	2-6-89	JRP
	B	ECO LO1682	3-7-89	JRP
	C	ECO LO1777	6-26-89	ZD



**EXPORT TRANSFORMER 50/60 HZ**

**PRIMARY WIRE TERMINATIONS**

LEAD COLOR	120V	120V	220V	220V	220V
BLACK	J11	J1	J11	J1	J11
WHITE	J1	J11	J1	J11	J11
BLK/YEL	J5	J5	J5	J5	J5
BLK/GRN	J12	J12	J13	J12	J6
BLK/WHT	J2	J12	J5	J5	J12
BLK/RED	J6	J13	J12	J13	J13
BLUE	J3	J3	J3	J3	J3

**F1 FUSE RATING**

AMPERAGE	120V	120V	220V	220V	220V
VOLTAGE	120V	120V	220V	220V	220V

**120V T1 52V**

**100V PX21XX 46V**

**0V EXPORT POWER 19V**

**120V TRANSFORMER 19V**

**100V 028675 46V**

**0V THRM BRKR 13V**

**NOTE:**  
EXPORT POWER CORD WIRE COLORS CHANGE AS FOLLOWS:  
 ⊕ CHANGES TO ⊖  
 ⊖ CHANGES TO ⊕

**WIRE COLOR:** X = BODY COLOR  
 Y = WIDE STRIPE  
 Z = NARROW STRIPE

**COLOR CODE**  
 0 = BLACK  
 1 = BROWN  
 2 = RED  
 3 = ORANGE  
 4 = YELLOW  
 5 = GREEN  
 6 = BLUE  
 7 = VIOLET  
 8 = GRAY  
 9 = WHITE

**DATABASE FILE:**

**CHECKED BY:** \_\_\_\_\_

**DATE:** \_\_\_\_\_

**APPROVED:** \_\_\_\_\_

**DATE:** \_\_\_\_\_

**TOLERANCES:** UNLESS OTHERWISE NOTED  
 X.X ±0.050"  
 X.XX ±0.018"  
 X.XXX ±0.005"  
 ANGLES ±0.500°

**PROPRIETARY**  
 THESE DRAWINGS CONTAIN INFORMATION WHICH IS PROPRIETARY TO AND IS THE PROPERTY OF THE PENSER MUSICAL INSTRUMENTS CO. AND MAY NOT BE USED, REPRODUCED OR DISCLOSED IN ANY MANNER WITHOUT THE EXPRESS WRITTEN CONSENT FROM PENSER MUSICAL INSTRUMENTS CO. 1198 COLUMBIA ST. BREA, CALIFORNIA 92621

**MUSICAL INSTRUMENTS**  
 1198 Columbia Street  
 Brea, Ca. 92621

**TITLE:** INTERCONNECT DIAG. PX21XX

**SIZE:** DRAWING NUMBER: 031890  
 DRAWN: \_\_\_\_\_  
 ENGR: \_\_\_\_\_

**SCALE:** DATE: 12/28/88 SHEET: 1 OF 1