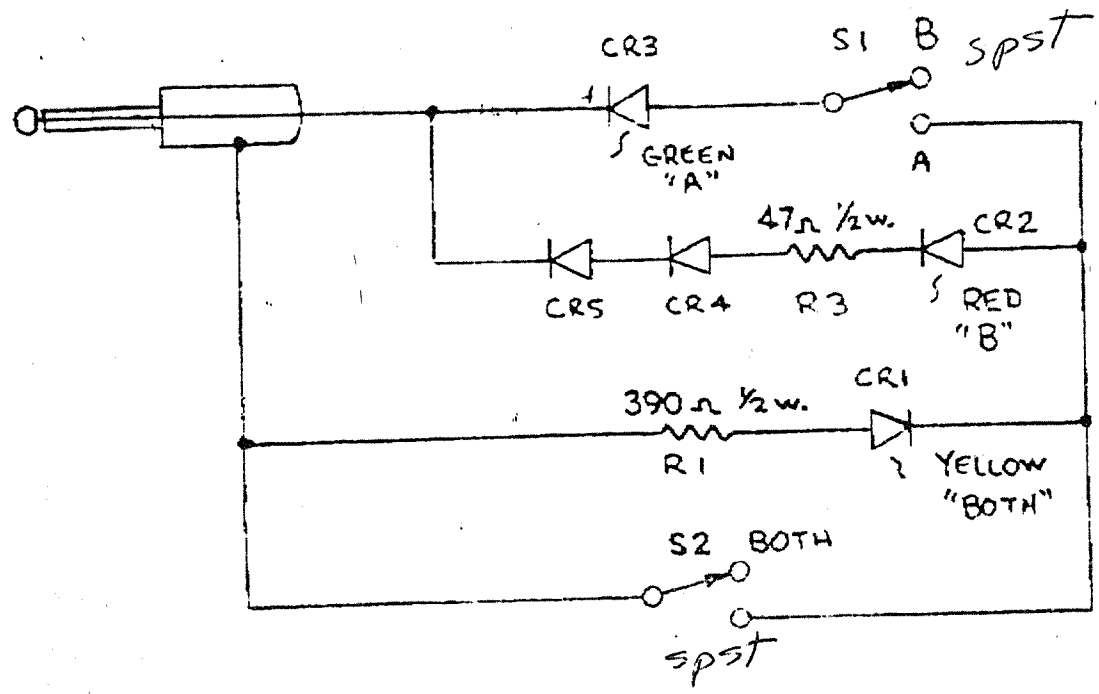


NOTE: UNLESS OTHERWISE SPECIFIED, ALL OTHER RESISTORS ARE 1/4W, 5%.
 D1-D15, D37-D40, D41-D44 ARE 1N458
 D16-D19, D24-D36 ARE 1N4007
 D20 AND D22 ARE 1N5239
 D21 IS A RED LED
 D23 IS A GREEN LED
 V1-V4 ARE 12AX7A
 V5-V8 ARE 6X4
 ALL VOLTAGE MEASUREMENTS TAKEN WITH BOTH CHANNELS ACTIVE.
 5V APPLIED TO ALL OUTPUT TUBES, 6X LOAD ATTACHED TO J7, NO INPUT SIGNAL.
 LINE VOLTAGE = 120 VAC

ENFORCER SCHEMATIC

KX 1/20/80

| REVISIONS | | |
|-----------|-------------|------|
| LTR | DESCRIPTION | DATE |
| | | |



NOTES:
 DIODES CR1, CR2, CR3 ARE LEDs
 DIODES CR4, CR5 ARE TYPE 1N458
 S1 AND S2 ARE "PUSH-ON, PUSH-OFF"
 PUSHBUTTON SWITCHES

FOR SUNN^o ENFORCER

| | | | |
|---------------------------------------|--------|----------------------|-------|
| TOLERANCES UNLESS OTHERWISE SPECIFIED | | | |
| FRACTIONS | DEC | ANGLES | |
| ± | ± | ± | |
| APPROVALS | DATE | UNIVERSAL FOOTSWITCH | |
| DRAWN N. J. [Signature] | 8/2/84 | SCALE | SIZE |
| CHECKED | | N/A | A |
| | | DRAWING NO. | |
| | | 96-1610-0 | |
| DO NOT SCALE DRAWING | | | SHEET |