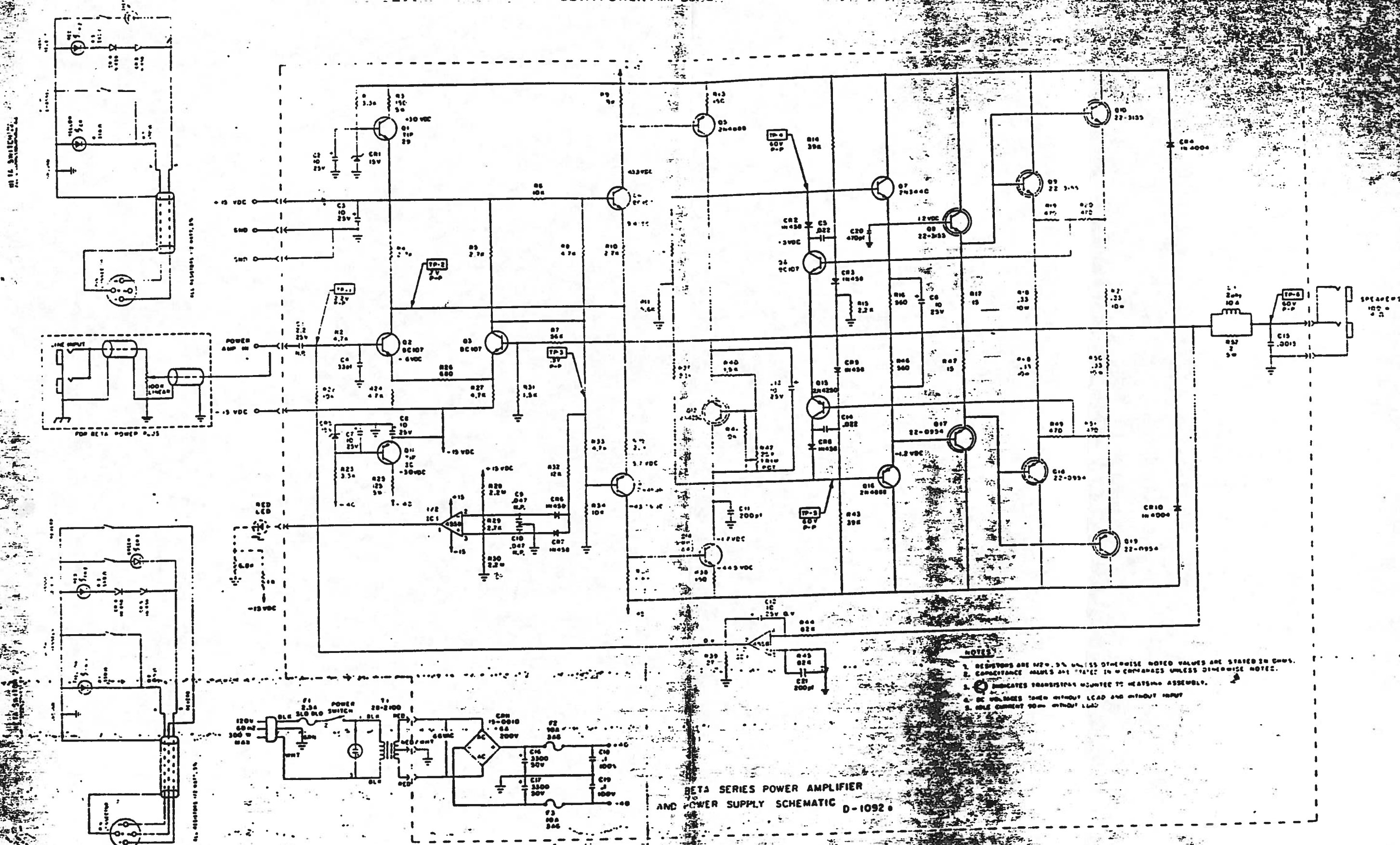


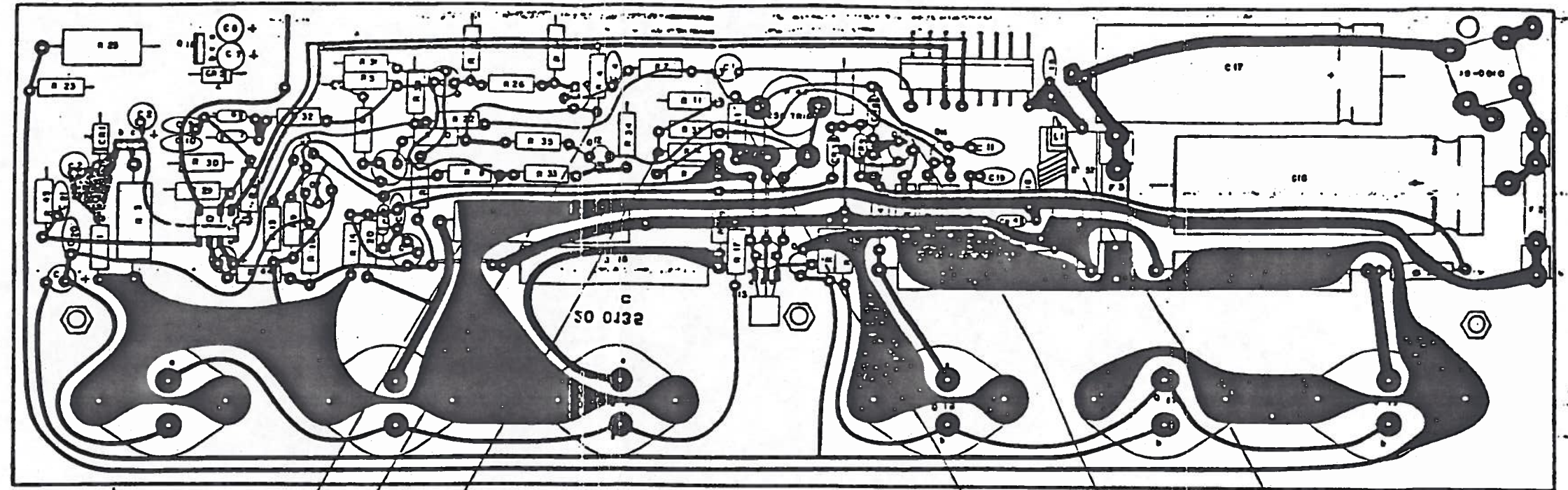
BETA POWER AMP SCHEMATIC



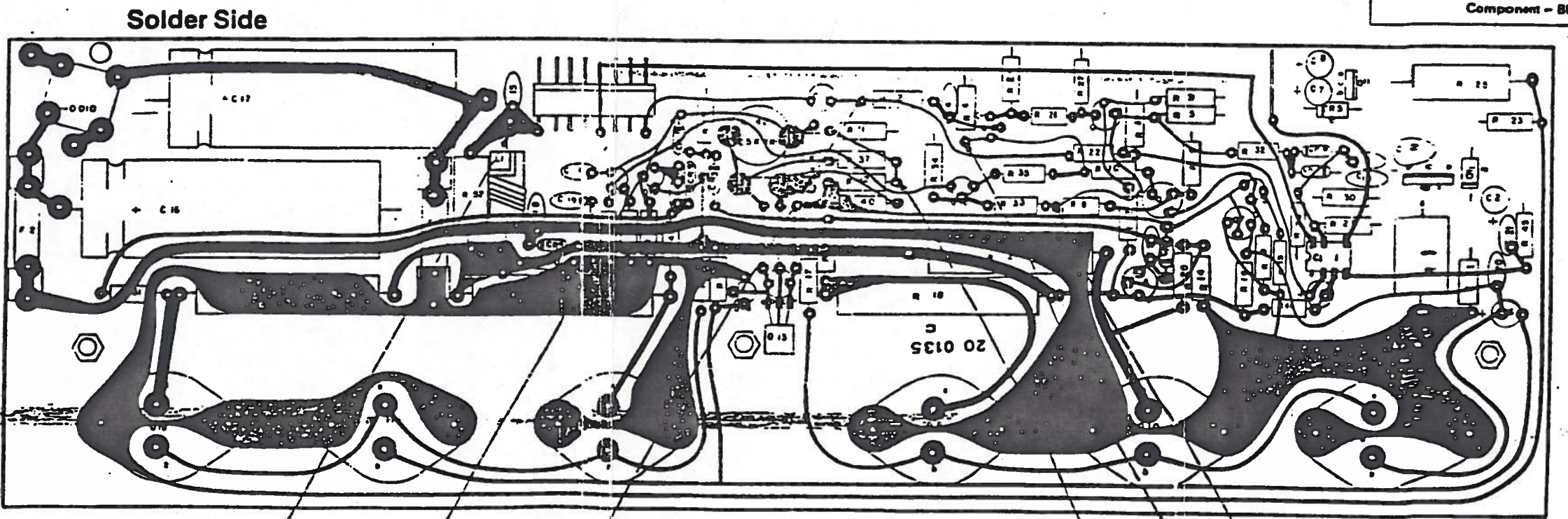
- NOTES
1. RESISTORS ARE 1/2% UNLESS OTHERWISE NOTED VALUES ARE STATED IN OHMS.
  2. CAPACITANCE VALUES ARE IN MICROFARADS UNLESS OTHERWISE NOTED.
  3. INDICATES TRANSISTOR MOUNTED TO HEAT SINK ASSEMBLY.
  4. DC VOLTAGES TAKEN WITHOUT LOAD AND WITHOUT INPUT.
  5. GAIN CURRENT 50mA WITHOUT LOAD.

BETA SERIES POWER AMPLIFIER  
AND POWER SUPPLY SCHEMATIC D-1092

# Beta Series Power Board



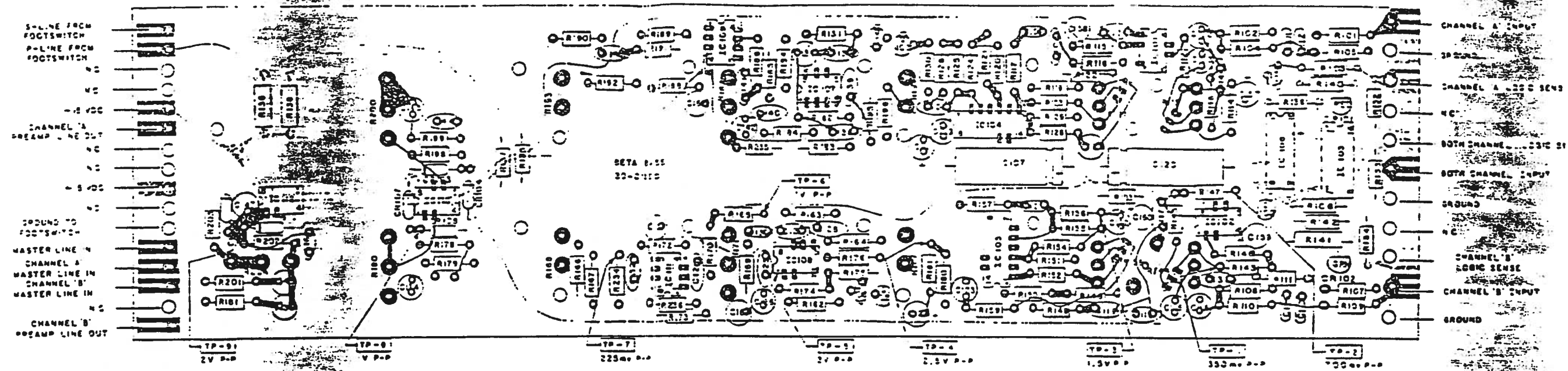
Component Side



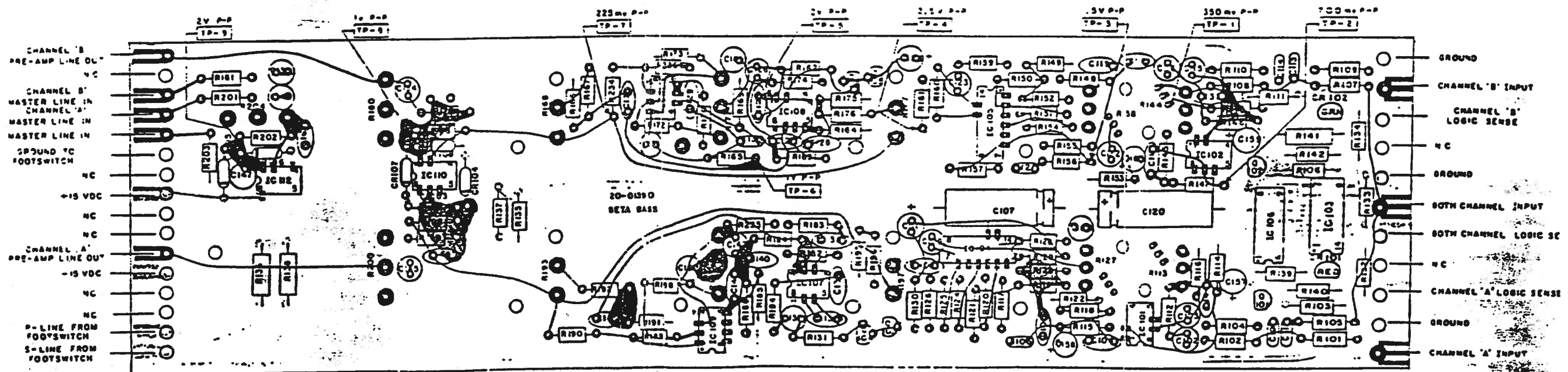
Solder Side

- +40 vdc - Red
- +15 vdc - Medium Red
- +8 vdc - Light Red
- 40 vdc - Green
- 15 vdc - Medium Green
- Signal - Blue
- Logic Control Circuit - Medium Blue
- Ground - Light Gray
- Component - Black

Beta Bass  
Component Side



Beta Bass  
Solder Side

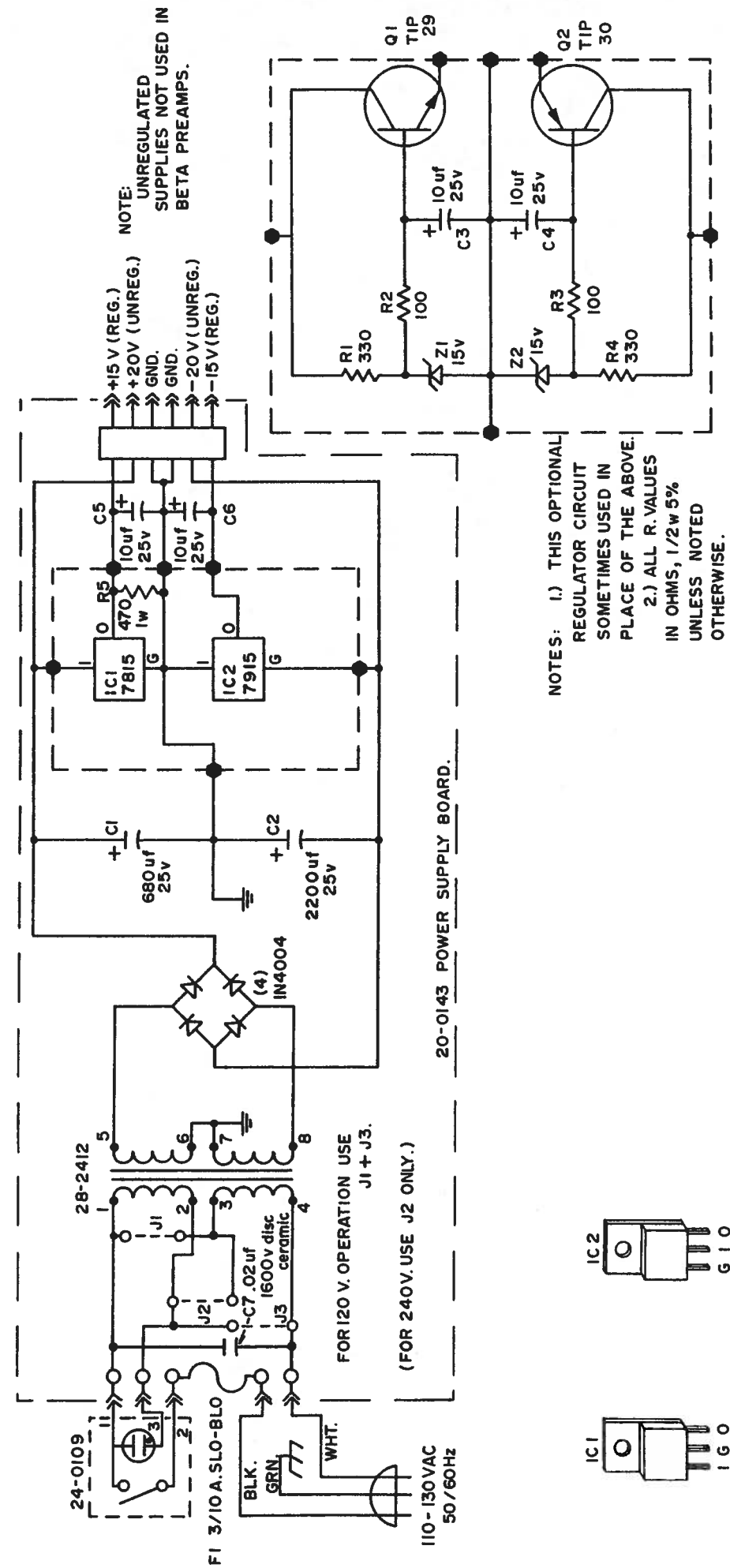


- +40 vdc - Red
- +15 vdc - Medium Red
- +8 vdc - Light Red
- 40 vdc - Green
- 15 vdc - Medium Green
- Signal - Blue
- Logic Control Circuit - Medium Blue
- Ground - Light Gray
- Component - Black

PARTS LIST  
PB10 - PL20

	Description	SUNN Part No.
<u>Diodes:</u>	1N458A	22-0458
	Red LED	22-0222
	Green LED	22-0223
<u>Transistors:</u>	BC107	22-0107
	(TIS-74) N channel J FET PN-4857	22-4857
<u>Integrated Circuits:</u>	4558	22-4558
	Dual MC14506BCP C-MOS	22-4506
	4069 - 74C04 C-MOS	22-7404
	Neg. 15V Reg. LM 320T-15	22-0320
	Pos. 15V Reg. LM 340T-15	22-0340
<u>Controls:</u>	Drive	Dual gauge 1 meg linear 23-1373
	Bass, Mid, Trebel, Level, Master Vol.	100K Linear 23-1110
	Reverb (PL20)	30K S Curve 23-6505
	<u>Misc. Parts:</u>	Power Transformer
Power Switch		24-0134
AC Cord		68-6500
Knobs - Drive, Bass, Mid, Trebel, reverb, Level		59-5534
Knob, Master		59-5533
Reverb Pan (PL20)	29-0008	

*Beta Bass  
Preamp*



NOTES: 1.) THIS OPTIONAL REGULATOR CIRCUIT SOMETIMES USED IN PLACE OF THE ABOVE. 2.) ALL R. VALUES IN OHMS, 1/2w 5% UNLESS NOTED OTHERWISE.

