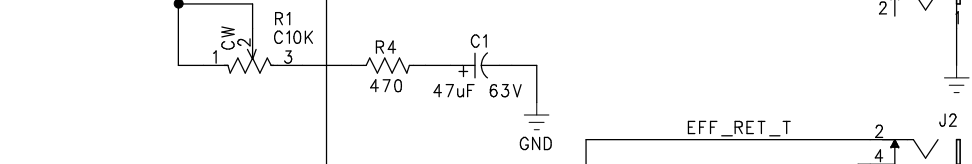
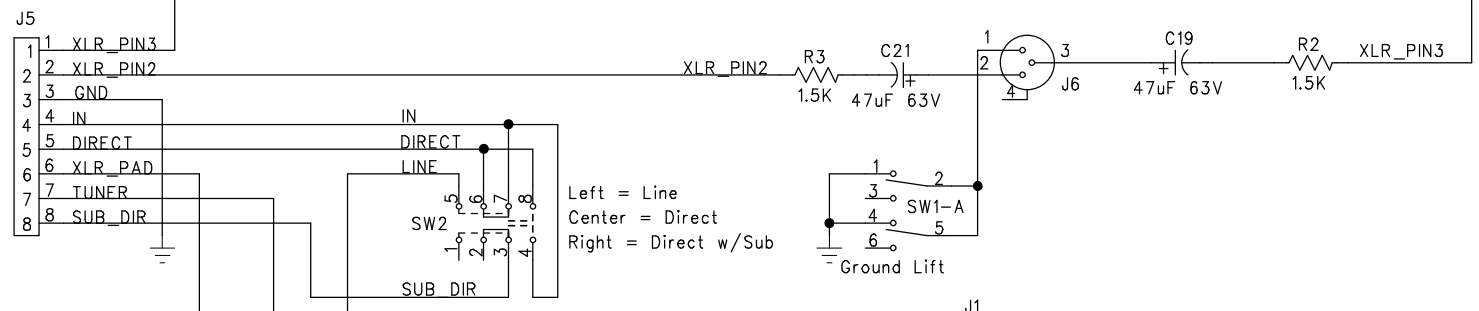
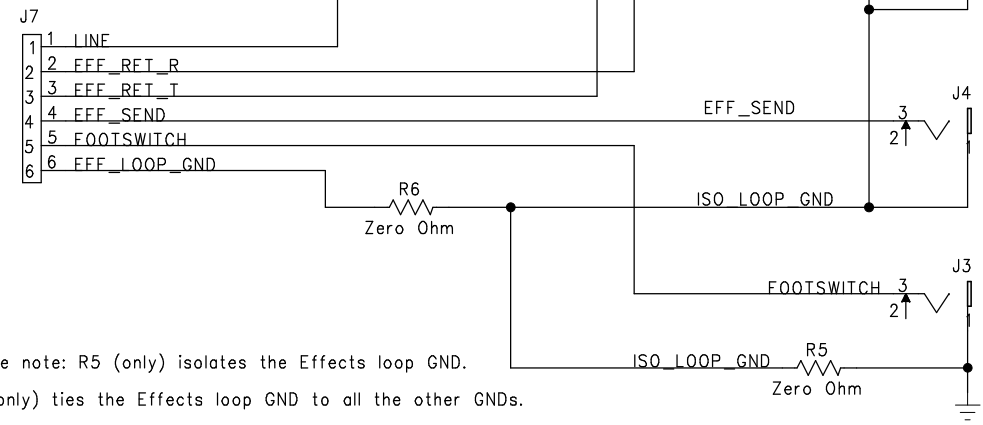


6 5 4 3 2 1

(From Preamp PCB J5)



(From Preamp PCB J7)



Please note: R5 (only) isolates the Effects loop GND.
R6 (only) ties the Effects loop GND to all the other GNDs.

PCB Part Number -- 170049D (released)
PCB Assembly Number -- 700067

SWR Sound Corporation	
Title: Bass 350/Black Beauty XLR PCB	Rev: D
Date: 07 February 2002	GMx
Last update:	Sheet: 1 of 1

D

C

B

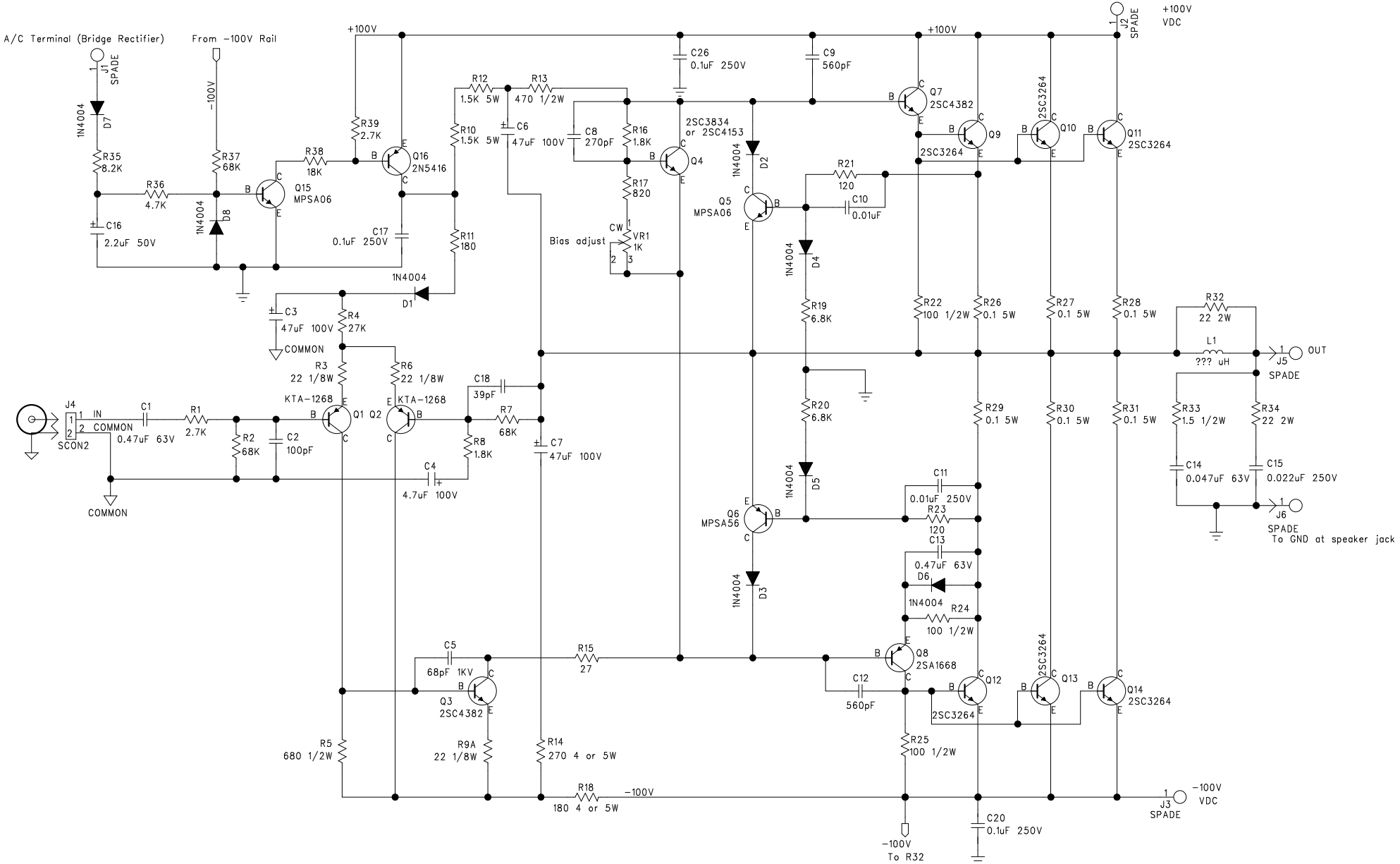
A

D

C

B

A



Q14	2N5416	Q3&Q7	2SC4382	Q6	MPSA56
		Q4	2SC3834	Q5&Q13	MPSA06
		Q8	2SA1668	Q9-Q12	2SC3264
		Q1&Q2	KTA-1268		

TO-39	TO-220	TO-220	TO-220	TO-92	TO-92	TO-92	TO-92

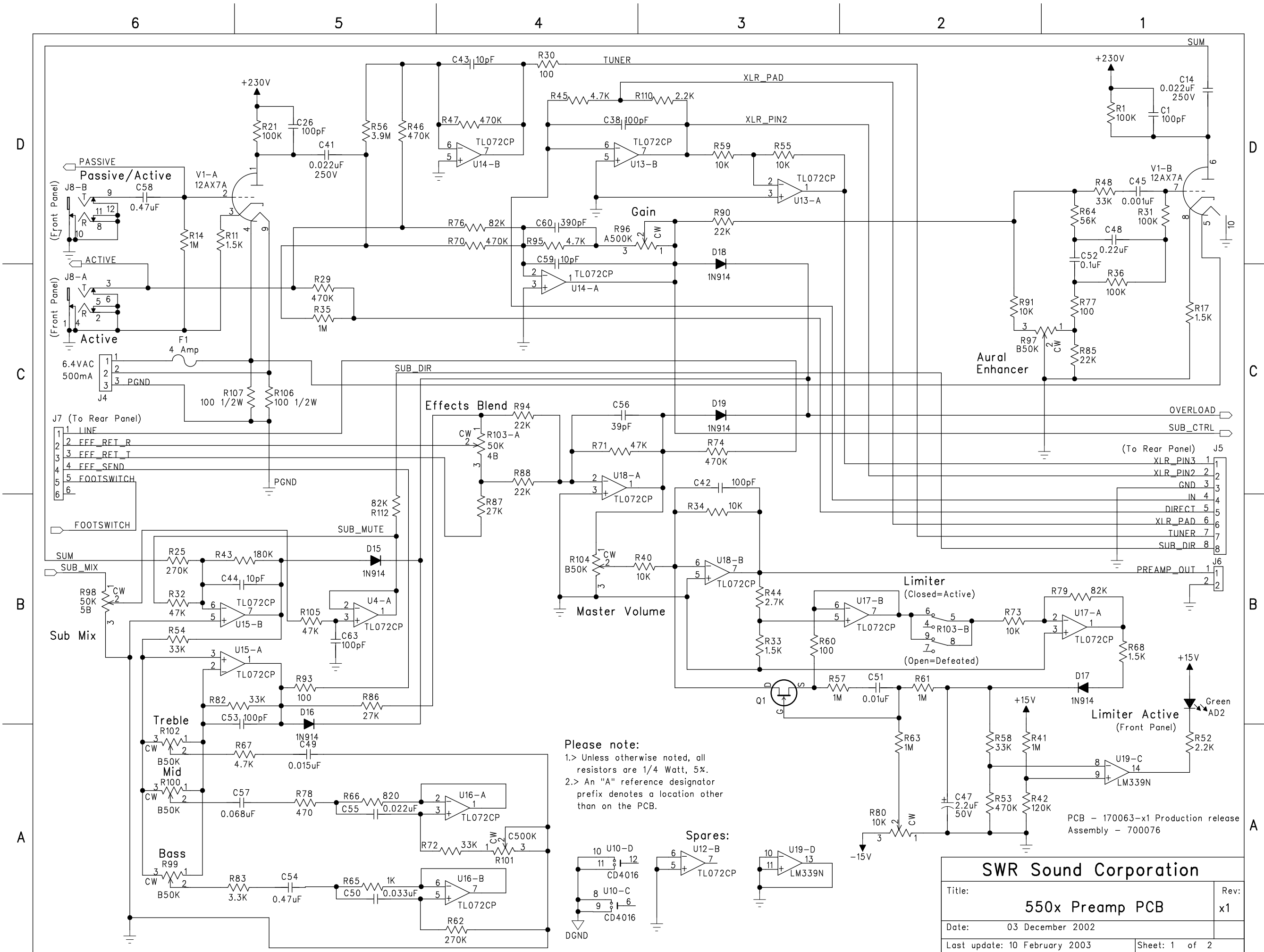
All Others Front View

NOTES (Unless otherwise specified):
 1. All resistor in ohms, 1/4 watt, 5%
 2. PCB part # for all units is 170033B
 Module is 700051

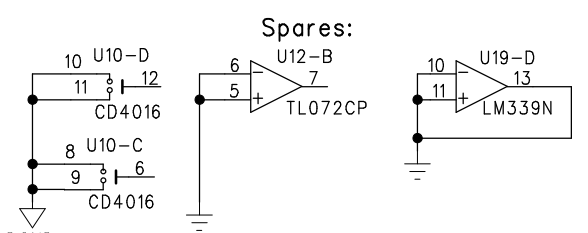
SWR Sound Corp.

SWR750 - Power Amp Module

June 2002 Revision E Page 1 of 1

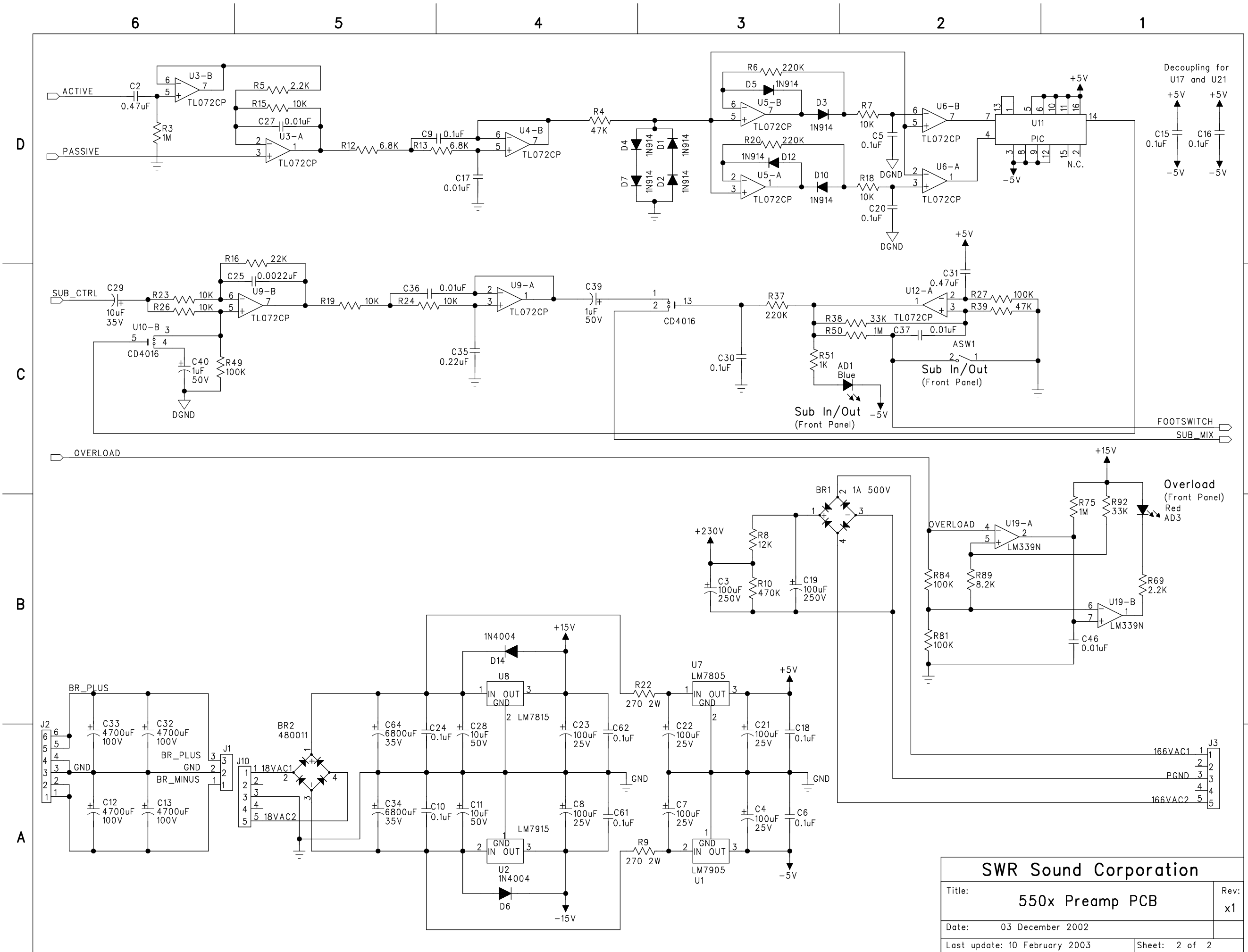


Please note:
 1.> Unless otherwise noted, all resistors are 1/4 Watt, 5%.
 2.> An "A" reference designator prefix denotes a location other than on the PCB.



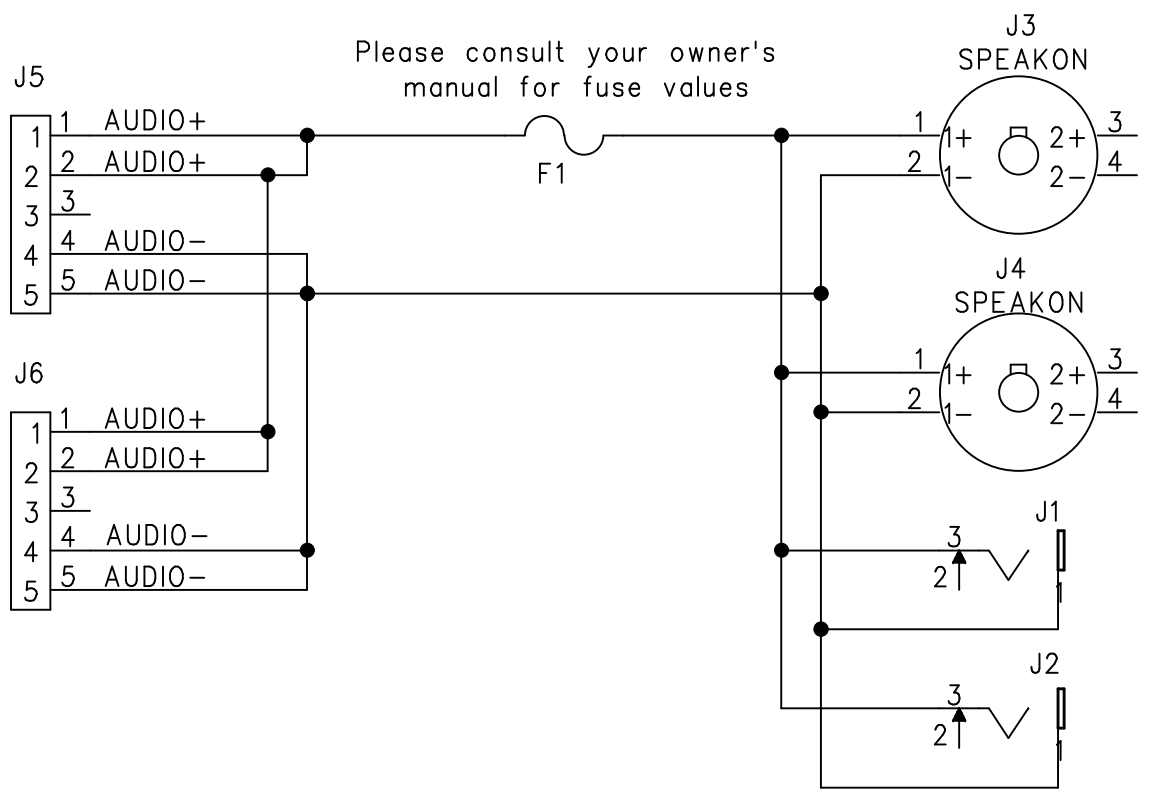
SWR Sound Corporation	
Title:	550x Preamp PCB
Date:	03 December 2002
Last update:	10 February 2003
Rev:	x1
Sheet: 1 of 2	

PCB - 170063-x1 Production release
 Assembly - 700076



SWR Sound Corporation		
Title:	550x Preamp PCB	Rev: x1
Date:	03 December 2002	
Last update:	10 February 2003	Sheet: 2 of 2

6 5 4 3 2 1



D

D

C

C

B

B

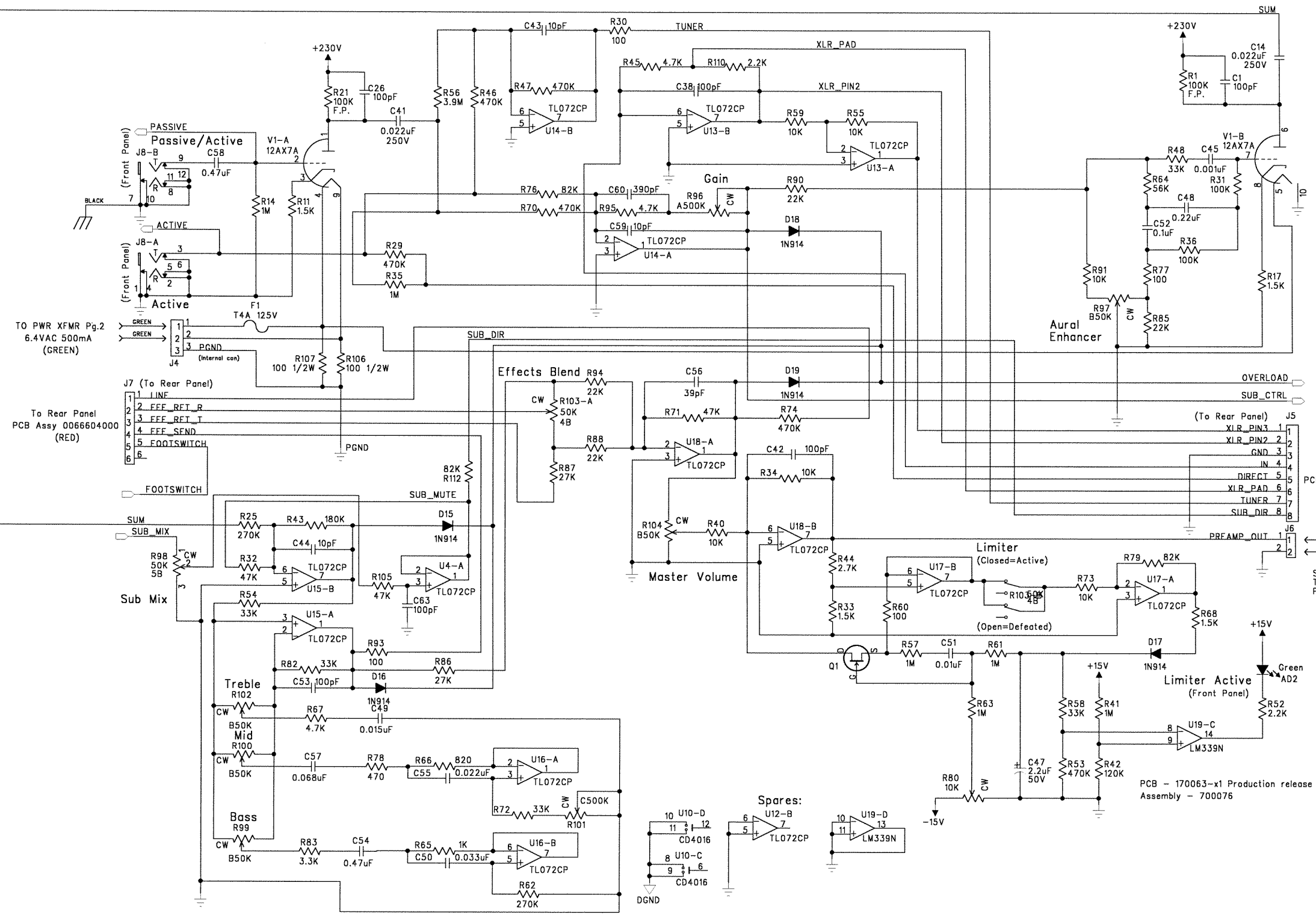
PCB 170048A
Assy 700066

SWR Sound Corporation	
Title:	Speaker Output PCB
Date:	19 June 2001
Last update:	26 February 2003
Rev:	A
Sheet:	1 of 1

A

A

REVISIONS			
REV.	DESCRIPTION	DATE	APPROVED
A	EC2975	02-SEP-03	S.M.B.



TO PWR XFMR Pg.2
6.4VAC 500mA
(GREEN)

To Rear Panel
PCB Assy 0066604000
(RED)

J7 (To Rear Panel)
1 LINE
2 FFF_RET_R
3 FFF_RET_I
4 FFF_SEND
5 FOOTSWITCH
6

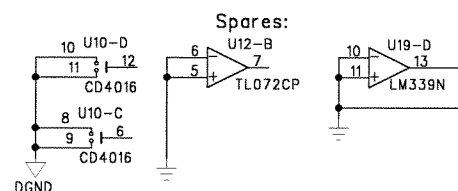
To Rear Panel
PCB Assy 0066604000
(GREEN)

J5 (To Rear Panel)
1 XLR_PIN3
2 XLR_PIN2
3 GND
4 IN
5 DIRECT
6 XLR_PAD
7 TUNER
8 SUB_DIR

J6
1 WHITE
2 BLACK
(J4.1 on Power Module)
(J4.2 on Power Module)

SHIELDED CABLE, 22Ga.
To Power Module, J4
PCB Assy 0066636000

PCB - 170063-x1 Production release
Assembly - 700076



THIS DOCUMENT CONTAINS INFORMATION OF A PROPRIETARY NATURE TO FENDER MUSICAL INSTRUMENTS AND IS SUBMITTED TO YOU IN CONFIDENCE AND SHALL NOT BE DISCLOSED OR TRANSMITTED TO OTHERS WITHOUT AUTHORIZATION FROM FENDER MUSICAL INSTRUMENTS.

Fender MUSICAL INSTRUMENTS
Corona, CA U.S.A.

CHECKED BY: _____ DATE: _____

APPROVED BY: *S. Bankhead* DATE: *9-2-03*

DRAWN: G. McMillan ENGR: S. Bankhead DATABASE FILE: 550x.SCH

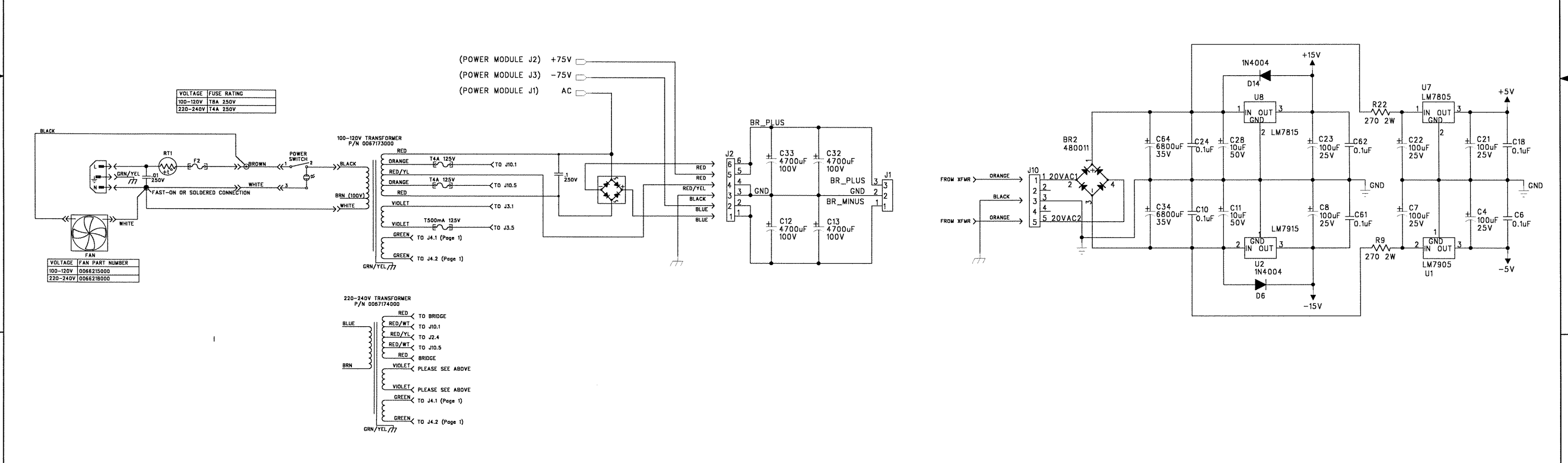
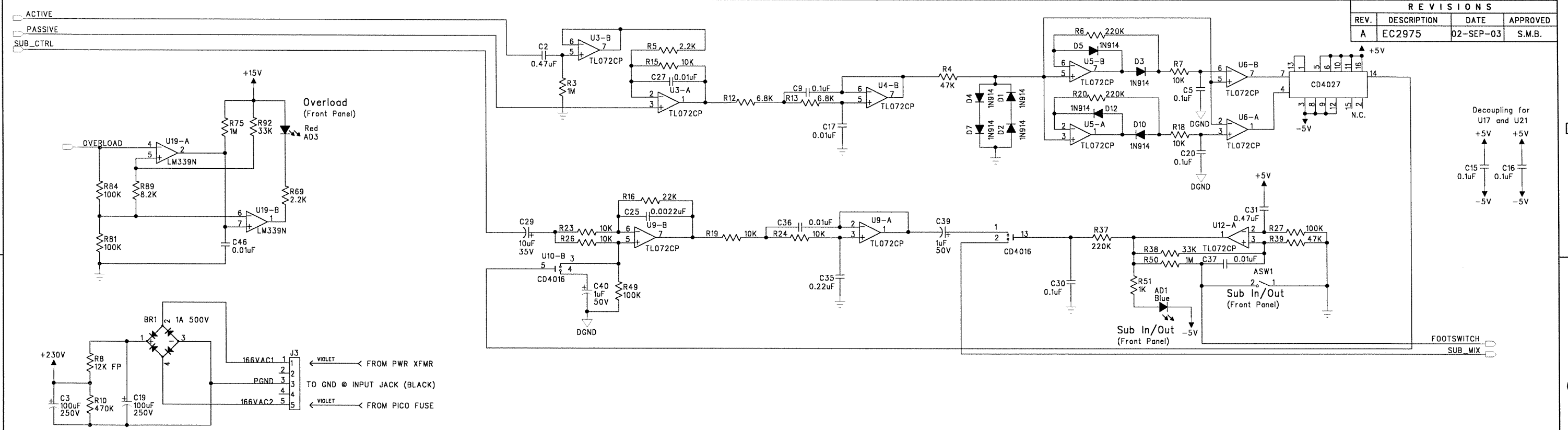
TITLE: SERVICE DIAGRAM, 550x (schematic)

SIZE: **D** DRAWING NUMBER: **0063770000** REV. **A**

RELEASE DATE: 02-SEP-03 SHEET: 1 OF 2

6. AN "A" REFERENCE DESIGNATOR PREFIX DENOTES A LOCATION OTHER THAN THE PCB
5. THIS SCHEMATIC IS FOR PCB ASSEMBLY P/N 0066607000
4. ALL DIODES ARE 1N4448.
3. ALL POLARIZED CAPACITORS IN uF, 20% MINIMUM.
2. ALL UNPOLARIZED CAPACITORS IN uF, 10% OR BETTER; 50V MINIMUM. (POWER SUPPLY BYPASS CAPACITORS ARE 20%)
1. ALL RESISTORS IN OHMS, 5% 1/4W.
- NOTES: (UNLESS OTHERWISE NOTED)

REVISIONS			
REV.	DESCRIPTION	DATE	APPROVED
A	EC2975	02-SEP-03	S.M.B.



TYPICAL POWER SWITCH
REAR VIEW

SPEAKER ON/OFF SWITCH
REAR VIEW

NOTES: SEE SHEET 1

THIS DOCUMENT CONTAINS INFORMATION OF A PROPRIETARY NATURE TO FENDER MUSICAL INSTRUMENTS AND IS SUBMITTED TO YOU IN CONFIDENCE AND SHALL NOT BE DISCLOSED OR TRANSMITTED TO OTHERS WITHOUT AUTHORIZATION FROM FENDER MUSICAL INSTRUMENTS.

CHECKED BY: _____
DATE: _____

APPROVED BY: *S. Bankhead*
DATE: 9-2-03

DRAWN: G. McMillan ENGR: S. Bankhead
DATABASE FILE: 550x.SCH

Fender® MUSICAL INSTRUMENTS
Corona, CA U.S.A.

TITLE: SERVICE DIAGRAM, 550x (schematic)

SIZE: D
DRAWING NUMBER: 0063770000
RELEASE DATE: 02-SEP-03 SHEET: 2 OF 2