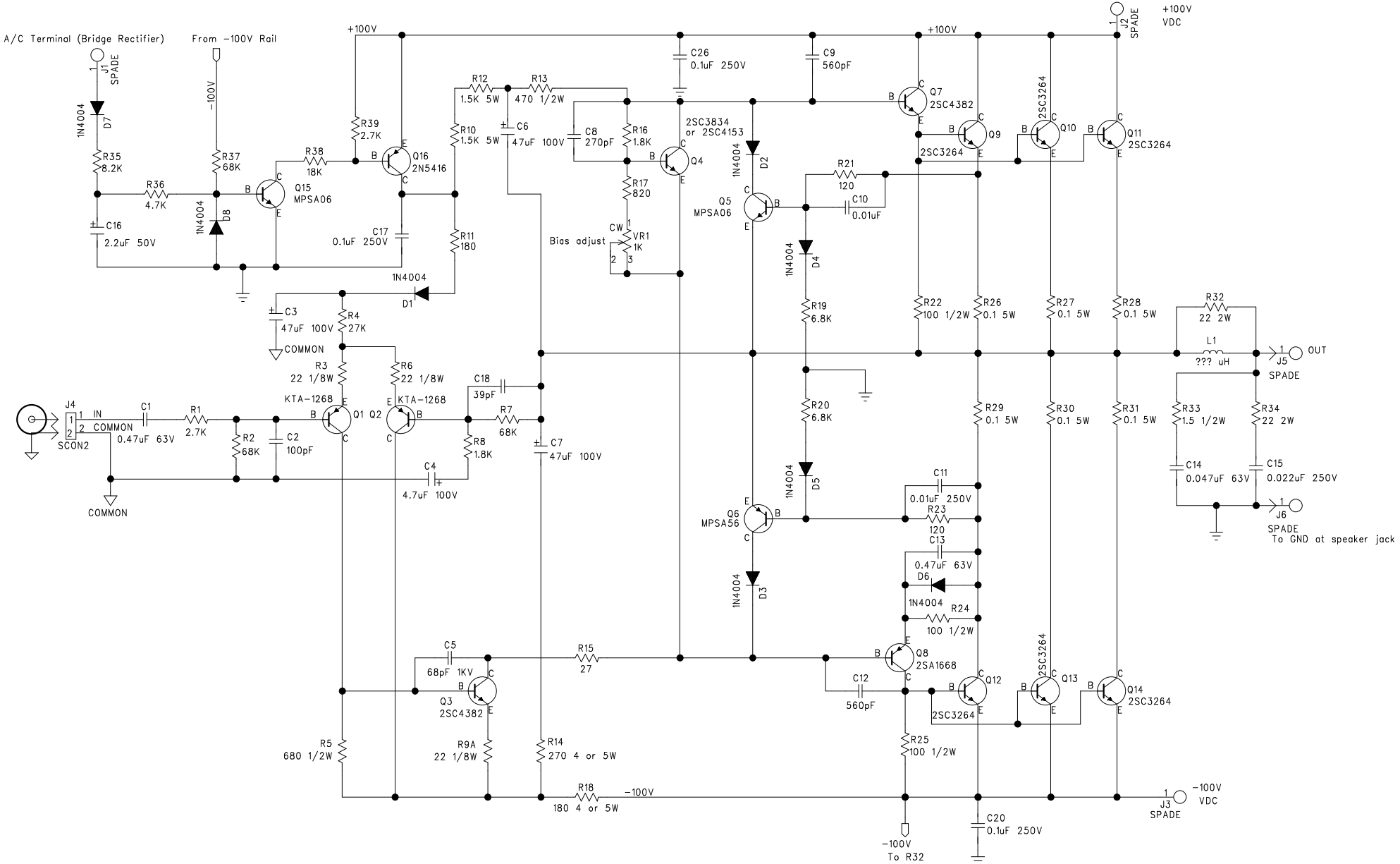


Truth Table

Function	Connections top	Connections bot.
Line	Line/In	Line/Mix
Direct	Direct/In	Mix
Direct w/Eff	Direct/In	Mix/In

PCB Part Number - 170052B - Final
PCB Assembly Number -- 700070

SWR Sound Corporation	
Title: 750x XLR PCB	Rev: B
Date: 10 April 2002 GMx	
Last update:	Sheet: 1 of 1



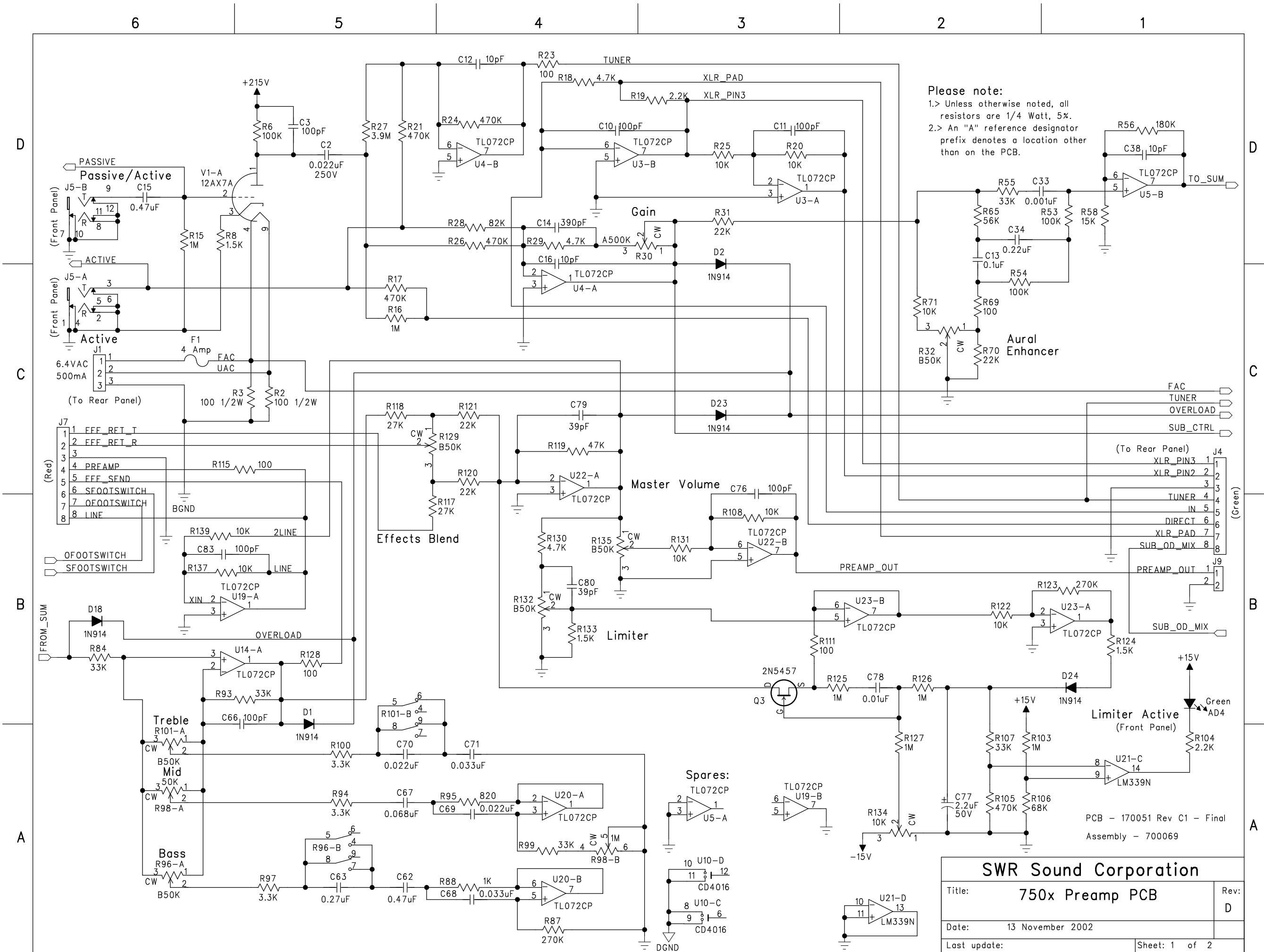
Q14 2N5416	Q3&Q7 2SC4382	Q6 MPSA56
	Q4 2SC3834	Q5&Q13 MPSA06
	Q8 2SA1668	
	Q9-Q12 2SC3264	
	Q1&Q2 KTA-1268	
Bottom View	All Others Front View	

NOTES (Unless otherwise specified):
 1. All resistor in ohms, 1/4 watt, 5%
 2. PCB part # for all units is 170033B
 Module is 700051

SWR Sound Corp.

SWR750 - Power Amp Module

June 2002 Revision E Page 1 of 1

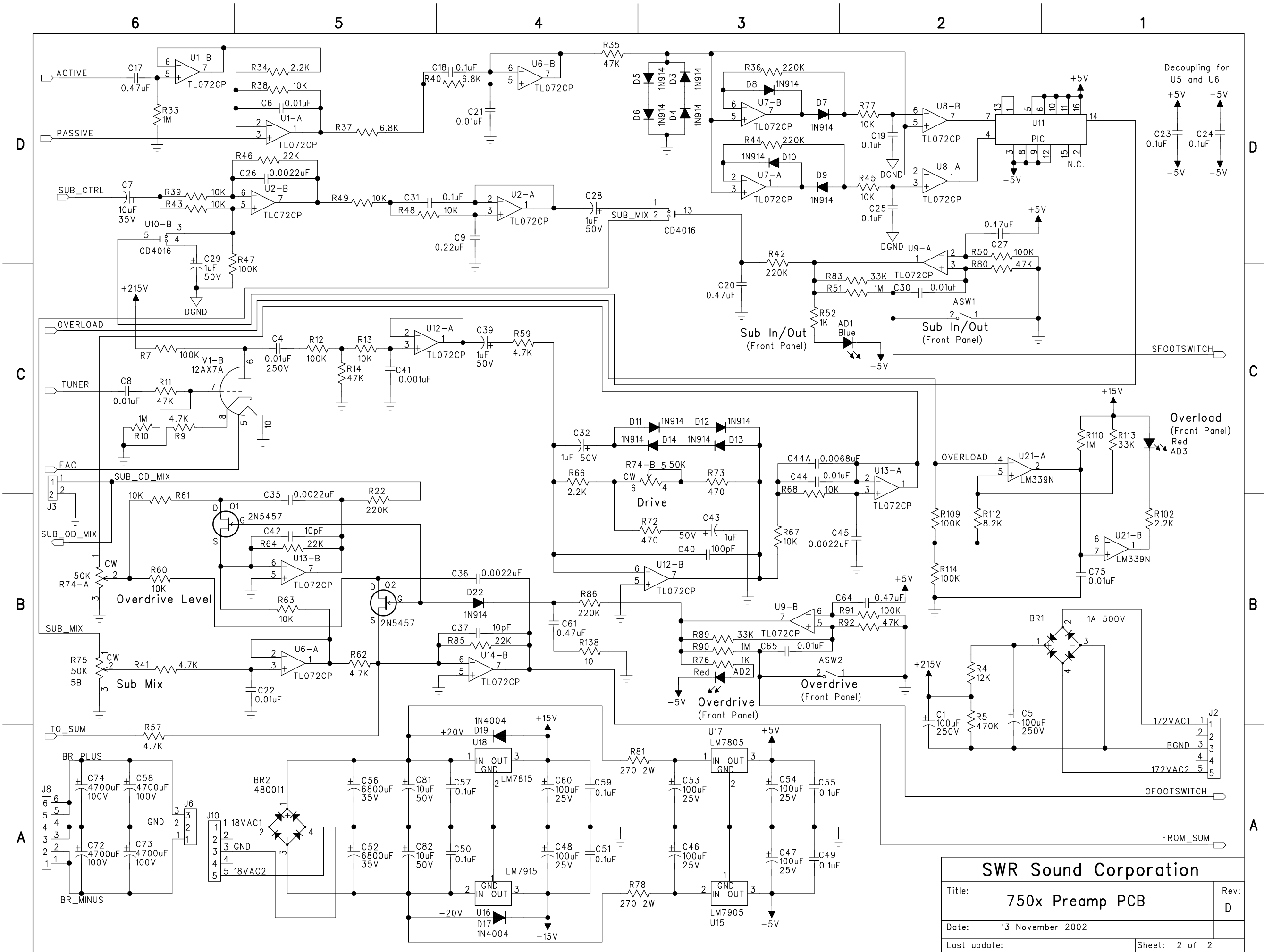


Please note:
 1.> Unless otherwise noted, all resistors are 1/4 Watt, 5%.
 2.> An "A" reference designator prefix denotes a location other than on the PCB.

PCB - 170051 Rev C1 - Final
 Assembly - 700069

SWR Sound Corporation	
Title: 750x Preamp PCB	Rev: D
Date: 13 November 2002	
Last update:	Sheet: 1 of 2

- Spare:**
- U5-A TL072CP
 - U10-D CD4016
 - U10-C CD4016
 - U21-D LM339N

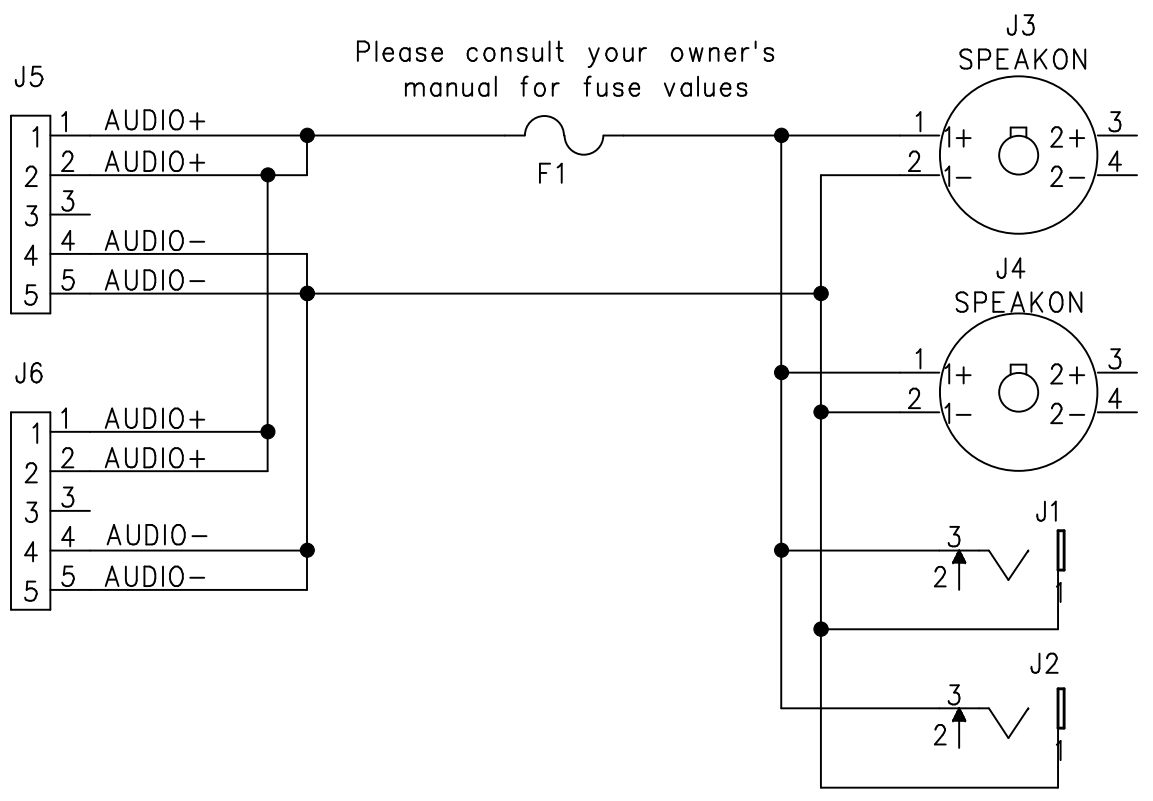


SWR Sound Corporation	
Title:	750x Preamp PCB
Date:	13 November 2002
Last update:	
Rev:	D
Sheet: 2 of 2	

6 5 4 3 2 1

D
C
B
A

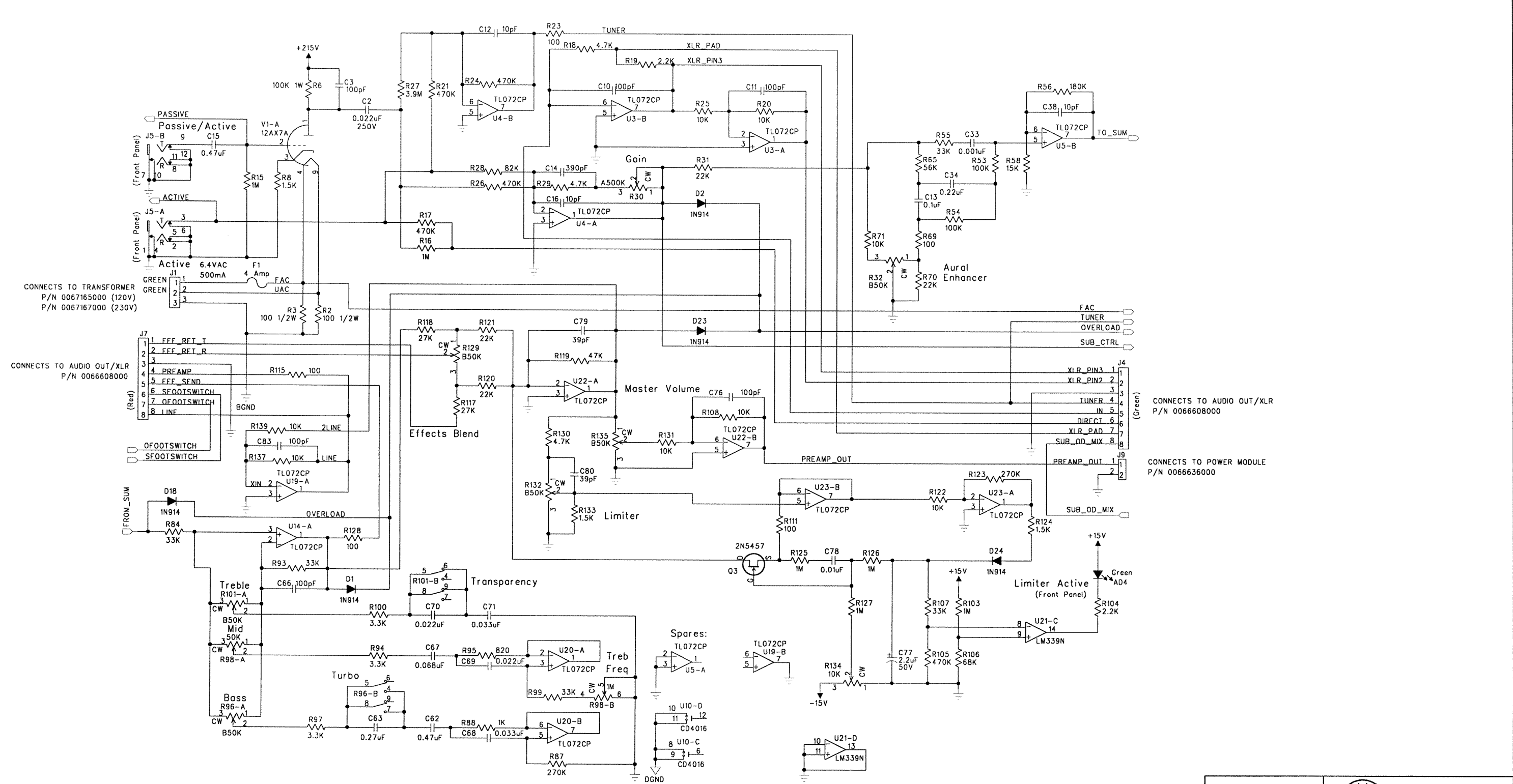
D
C
B
A



PCB 170048A
Assy 700066

SWR Sound Corporation	
Title: Speaker Output PCB	Rev: A
Date: 19 June 2001	
Last update: 26 February 2003	Sheet: 1 of 1

REVISIONS			
REV.	DESCRIPTION	DATE	APPROVED
A	PR608	17-JUL-03	G R



D
C
B
A

D
C
B
A

CONNECTS TO TRANSFORMER
P/N 0067165000 (120V)
P/N 0067167000 (230V)

CONNECTS TO AUDIO OUT/XLR
P/N 0066608000

CONNECTS TO AUDIO OUT/XLR
P/N 0066608000

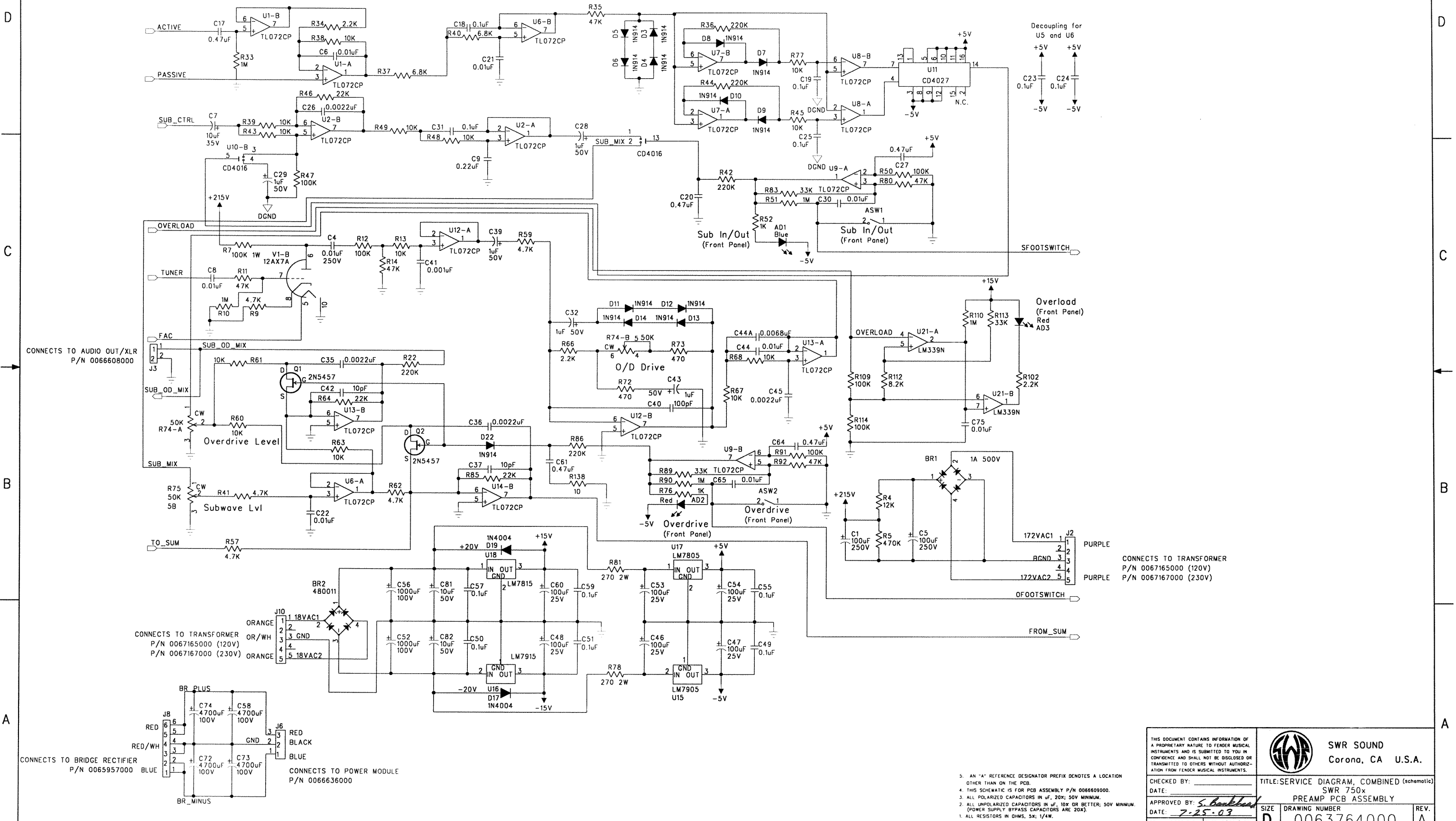
CONNECTS TO POWER MODULE
P/N 0066636000

- Spare:
- 2 TL072CP
 - 1 U5-A
 - 10 U10-D
 - 11 12 CD4016
 - 8 U10-C
 - 9 6 CD4016

- NOTES: (UNLESS OTHERWISE NOTED)
1. ALL RESISTORS IN OHMS, 5% 1/4W.
 2. ALL UNPOLARIZED CAPACITORS IN uF, 10% OR BETTER. 50V MINIMUM. (POWER SUPPLY BYPASS CAPACITORS ARE 20X).
 3. ALL POLARIZED CAPACITORS IN uF, 20% 50V MINIMUM.
 4. THIS SCHEMATIC IS FOR PCB ASSEMBLY P/N 0066609000.
 5. AN "A" REFERENCE DESIGNATOR PREFIX DENOTES A LOCATION OTHER THAN ON THE PCB.

		SWR SOUND Corona, CA U.S.A.
CHECKED BY: _____ DATE: _____ APPROVED BY: <i>S. Brockland</i> DATE: <i>7-25-03</i> DRAWN: GROCHELEAU ENGR: GROCHELEAU DATABASE FILE: 750X_PRE.SCH	TITLE: SERVICE DIAGRAM, COMBINED (schematic) SWR 750x PREAMP PCB ASSEMBLY	REV. _____ SIZE: D DRAWING NUMBER: 0063764000 RELEASE DATE: 17-JUL-03 SHEET: 1 OF 3

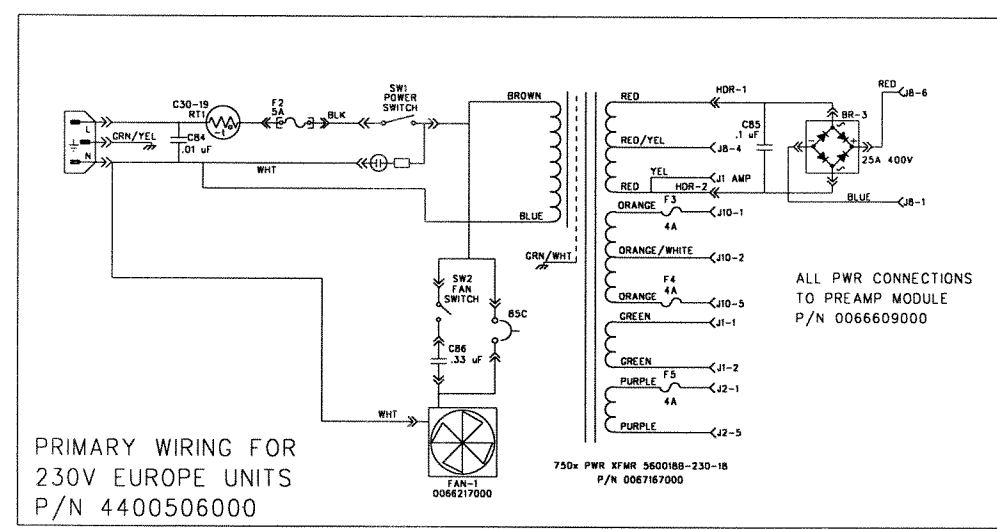
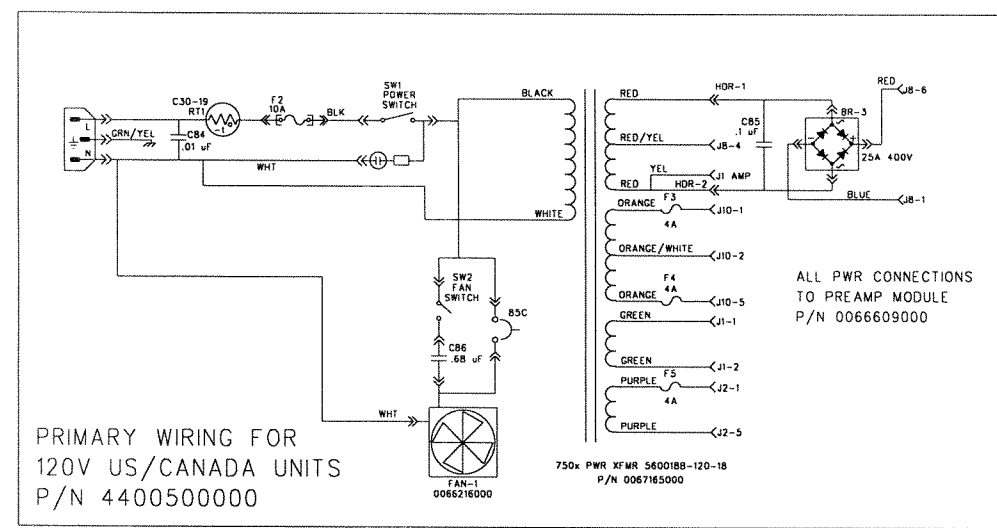
REVISIONS			
REV.	DESCRIPTION	DATE	APPROVED
A	PR608	17-JUL-03	G R




THIS DOCUMENT CONTAINS INFORMATION OF A PROPRIETARY NATURE TO FENDER MUSICAL INSTRUMENTS AND IS SUBMITTED TO YOU IN CONFIDENCE AND SHALL NOT BE DISCLOSED OR TRANSMITTED TO OTHERS WITHOUT AUTHORIZATION FROM FENDER MUSICAL INSTRUMENTS.		SWR SOUND Corona, CA U.S.A.	
CHECKED BY: _____ DATE: _____	TITLE: SERVICE DIAGRAM, COMBINED (schematic) SWR 750x PREAMP PCB ASSEMBLY		
APPROVED BY: <i>S. Bankhead</i> DATE: <i>7-25-03</i>	SIZE: D	DRAWING NUMBER: 0063764000	REV. A
DRAWN: G. ROCHELEAU ENGR: G. ROCHELEAU DATABASE FILE: 2750x_PRE.SCH		RELEASE DATE: 17-JUL-03	SHEET: 2 OF 3

5. AN "*" REFERENCE DESIGNATOR PREFIX DENOTES A LOCATION OTHER THAN ON THE PCB.
 4. THIS SCHEMATIC IS FOR PCB ASSEMBLY P/N 0066609000.
 3. ALL POLARIZED CAPACITORS IN uF, 20K; 50V MINIMUM.
 2. ALL UNPOLARIZED CAPACITORS IN uF, 10K OR BETTER; 50V MINIMUM. (POWER SUPPLY BYPASS CAPACITORS ARE 20K).
 1. ALL RESISTORS IN OHMS, 5K; 1/4W.
 NOTES: (UNLESS OTHERWISE NOTED)

REVISIONS			
REV.	DESCRIPTION	DATE	APPROVED
A	PRxyz	17-JUL-03	F M L



- AN "A" REFERENCE DESIGNATOR PREFIX DENOTES A LOCATION OTHER THAN ON THE PCB.
 - THIS SCHEMATIC IS FOR PCB ASSEMBLY P/N 0066609000.
 - ALL POLARIZED CAPACITORS IN uf, 20X; 50V MINIMUM.
 - ALL UNPOLARIZED CAPACITORS IN uf, 10X OR BETTER; 50V MINIMUM. (POWER SUPPLY BYPASS CAPACITORS ARE 20X).
 - ALL RESISTORS IN OHMS, 5X; 1/4W.
- NOTES: (UNLESS OTHERWISE NOTED)

THIS DOCUMENT CONTAINS INFORMATION OF A PROPRIETARY NATURE TO FENDER MUSICAL INSTRUMENTS AND IS SUBMITTED TO YOU IN CONFIDENCE AND SHALL NOT BE DISCLOSED OR TRANSMITTED TO OTHERS WITHOUT AUTHORIZATION FROM FENDER MUSICAL INSTRUMENTS.		 SWR SOUND Corona, CA U.S.A.	
CHECKED BY: _____	TITLE: SERVICE DIAGRAM, COMBINED (schematic)		
DATE: _____	SWR 750x PREAMP PCB ASSEMBLY		
APPROVED BY: <i>S. Barkhead</i>	SIZE: D	DRAWING NUMBER: 0063764000	REV. A
DATE: 7-25-03	DRAWN: G. ROCHELEAU	ENGR: G. ROCHELEAU	RELEASE DATE: 17-JUL-03
DATABASE FILE: 2750X_PRE.SCH	SHEET: 3 OF 3		