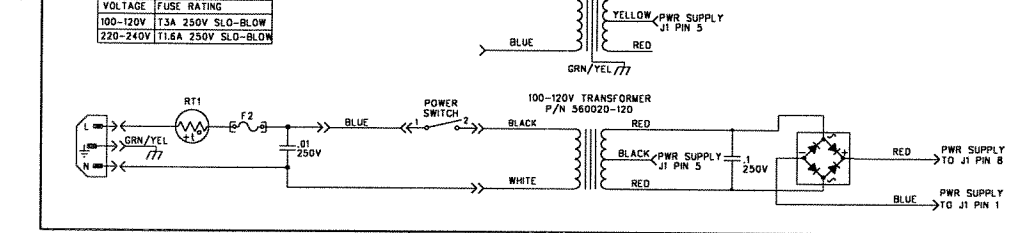
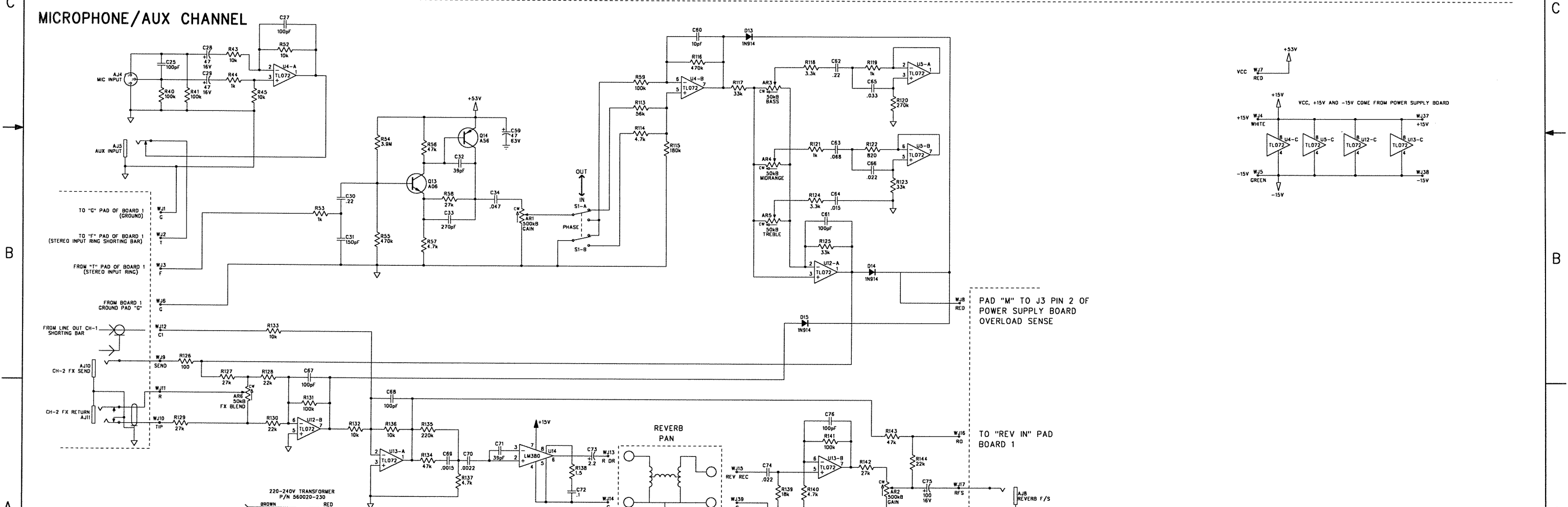
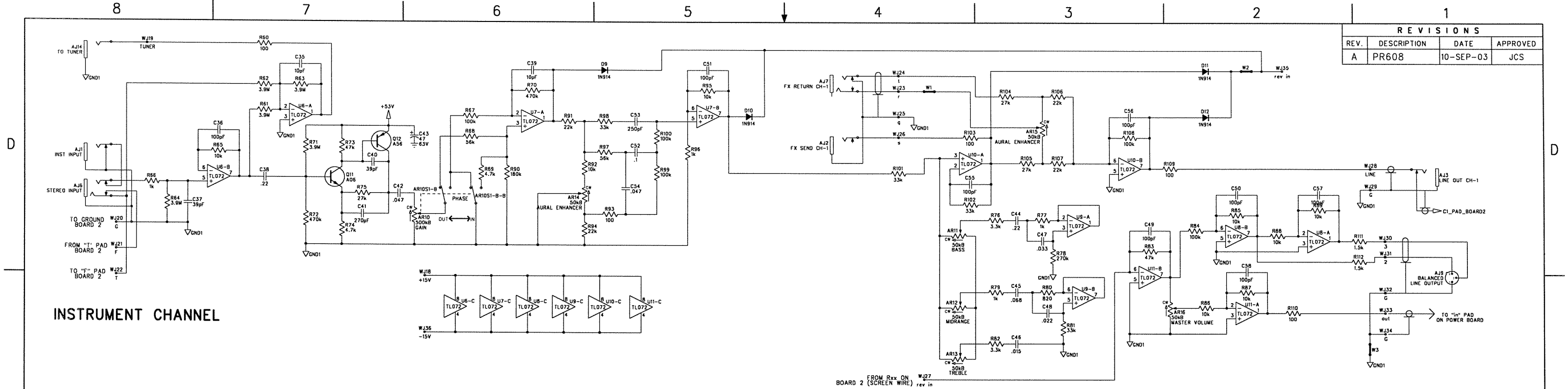


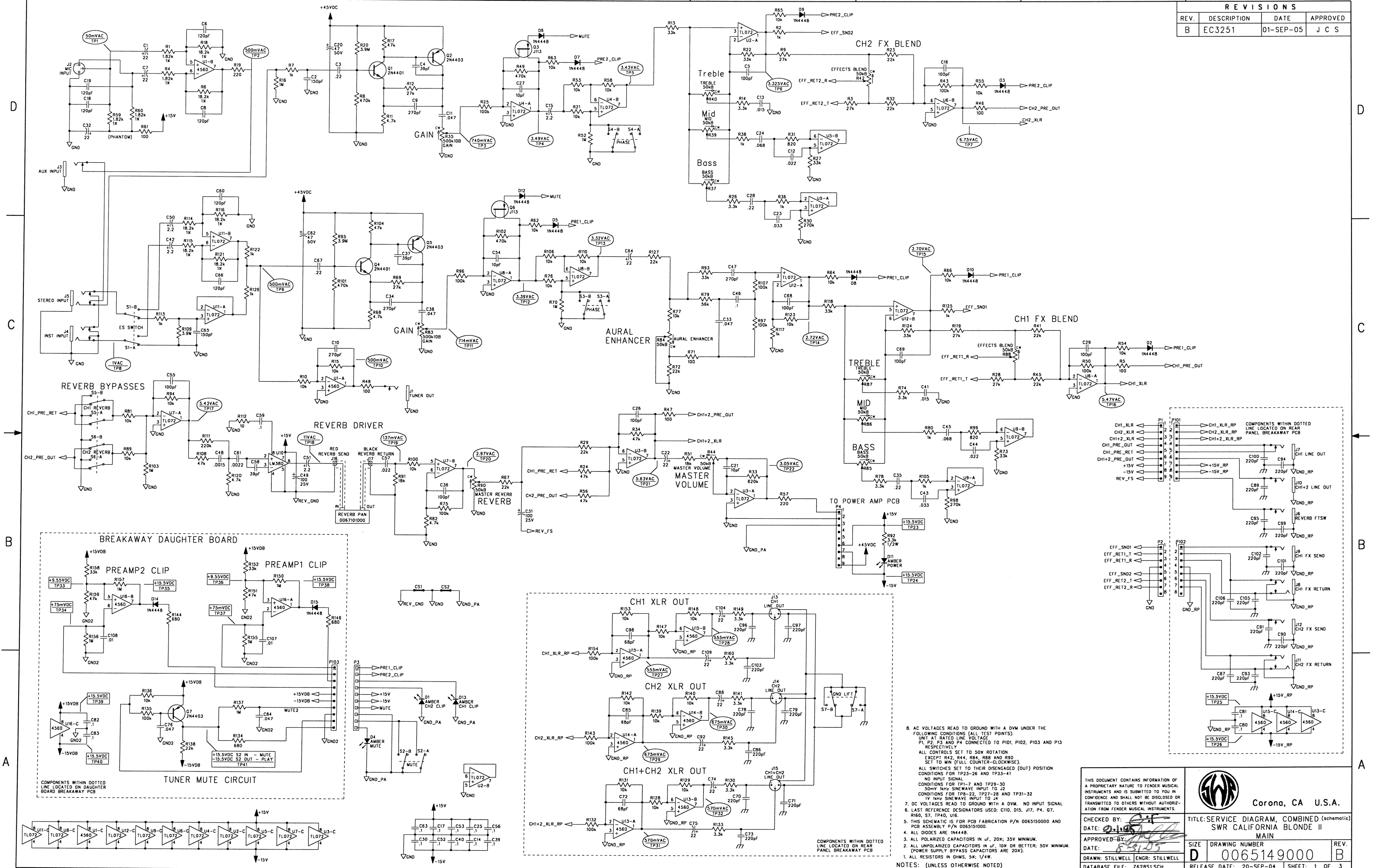
REVISIONS			
REV.	DESCRIPTION	DATE	APPROVED
A	PR608	10-SEP-03	JCS



THIS DOCUMENT CONTAINS INFORMATION OF A PROPRIETARY NATURE TO FENDER MUSICAL INSTRUMENTS AND IS SUBMITTED TO YOU IN CONFIDENCE AND SHALL NOT BE DISCLOSED OR TRANSMITTED TO OTHERS WITHOUT AUTHORIZATION FROM FENDER MUSICAL INSTRUMENTS.		MUSICAL INSTRUMENTS Corona, CA U.S.A.	
CHECKED BY:	DATE:	TITLE: SERVICE DIAGRAM, COMBINED (schematic) SWR - CALIFORNIA BLONDE PREAMP ASSY'S	REV. A
APPROVED BY: <i>S. Stillwell</i>	DATE: 9-22-03	SIZE: D	DRAWING NUMBER: 0063780000
DRAWN: STILLWELL	ENGR: STILLWELL	RELEASE DATE: 10-SEP-03	SHEET: 1 OF 2

1. ALL RESISTORS IN OHMS, 5% 1/4W.
 NOTES: (UNLESS OTHERWISE NOTED)

REVISIONS			
REV.	DESCRIPTION	DATE	APPROVED
B	EC3251	01-SEP-05	J C S



B. AC VOLTAGES READ TO GROUND WITH A DVM UNDER THE FOLLOWING CONDITIONS (ALL TEST POINTS):
 UNIT AT RATED LINE VOLTAGE.
 P1, P2, P3 AND P4 CONNECTED TO P101, P102, P103 AND P13 RESPECTIVELY.
 ALL CONTROLS SET TO 50% ROTATION EXCEPT R42, R44, R46, R88 AND R90 SET TO MIN (FULL COUNTER-CLOCKWISE).
 ALL SWITCHES SET TO THEIR DISENGAGED (OUT) POSITION CONDITIONS FOR TP23-26 AND TP33-41.
 NO INPUT SIGNAL.
 CONDITIONS FOR TP1-7 AND TP29-30: 50mV 1kHz SINEWAVE INPUT TO J2.
 CONDITIONS FOR TP8-22, TP27-28 AND TP31-32: 1V 1kHz SINEWAVE INPUT TO J4.
 1V INPUT SIGNAL.
 7. DC VOLTAGES READ TO GROUND WITH A DVM. NO INPUT SIGNAL.
 8. LAST REFERENCE DESIGNATORS USED: C10, D15, J17, P4, Q7, R160, S7, TP40, U16.
 9. THIS SCHEMATIC IS FOR PCB FABRICATION P/N 0065150000 AND PCB ASSEMBLY P/N 0065151000.
 3. ALL POLARIZED CAPACITORS IN μ F, 20% 35V MINIMUM.
 2. ALL UNPOLARIZED CAPACITORS IN μ F, 10% OR BETTER; 50V MINIMUM. (POWER SUPPLY BYPASS CAPACITORS ARE 20%).
 1. ALL RESISTORS IN OHMS, 5% 1/4W.
 NOTES: (UNLESS OTHERWISE NOTED)

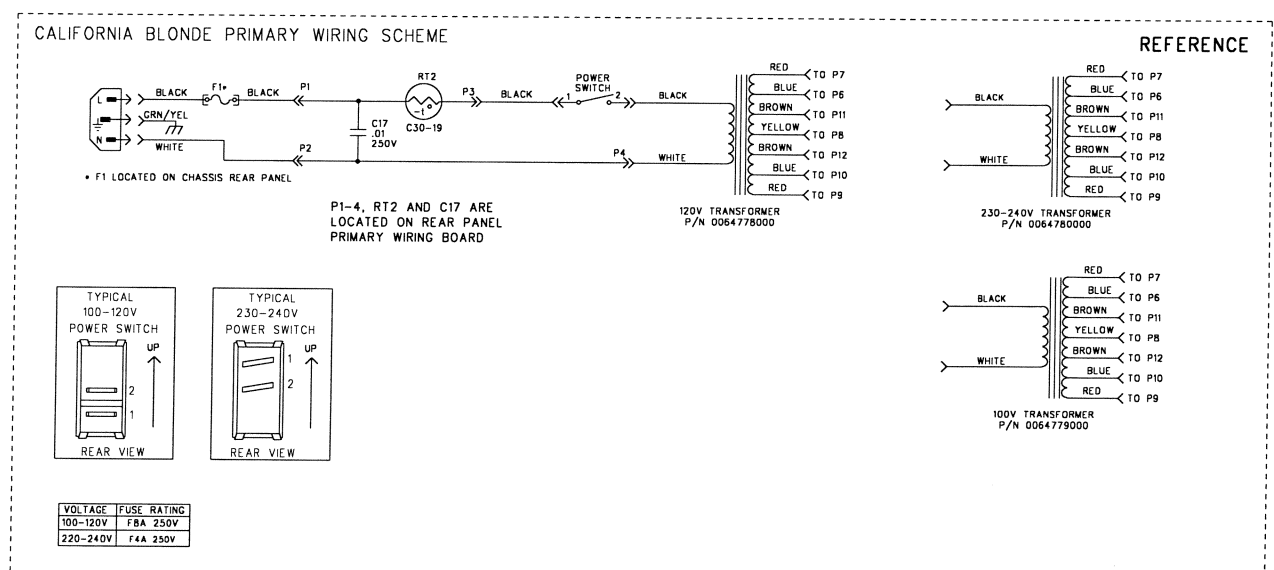
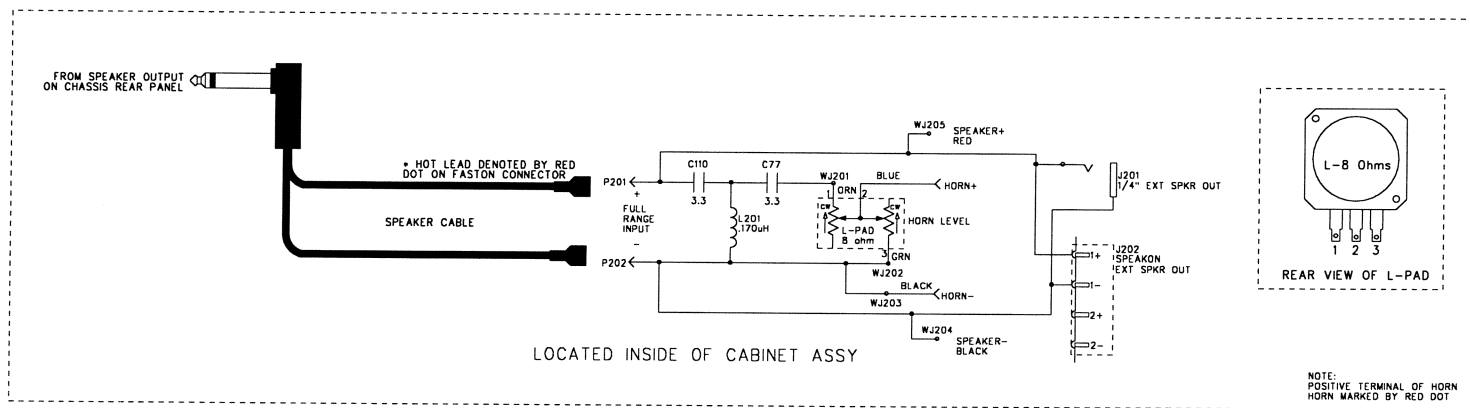
THIS DOCUMENT CONTAINS INFORMATION OF A PROPRIETARY NATURE TO FENDER MUSICAL INSTRUMENTS AND IS SUBMITTED TO YOU IN CONFIDENCE AND SHALL NOT BE DISCLOSED OR TRANSMITTED TO OTHERS WITHOUT AUTHORIZATION FROM FENDER MUSICAL INSTRUMENTS.

Corona, CA U.S.A.

CHECKED BY: *[Signature]*
 DATE: 8-21-05
 DRAWN: STILLWELL ENGR: STILLWELL
 DATABASE FILE: Z62851.SCH

TITLE: SERVICE DIAGRAM, COMBINED (schematic) SWR CALIFORNIA BLONDE II MAIN
 SIZE: D
 DRAWING NUMBER: 0065149000
 REV. B
 RELEASE DATE: 20-SEP-04 SHEET: 1 OF 3

REVISIONS			
REV.	DESCRIPTION	DATE	APPROVED
B	EC3251	01-SEP-05	J C S

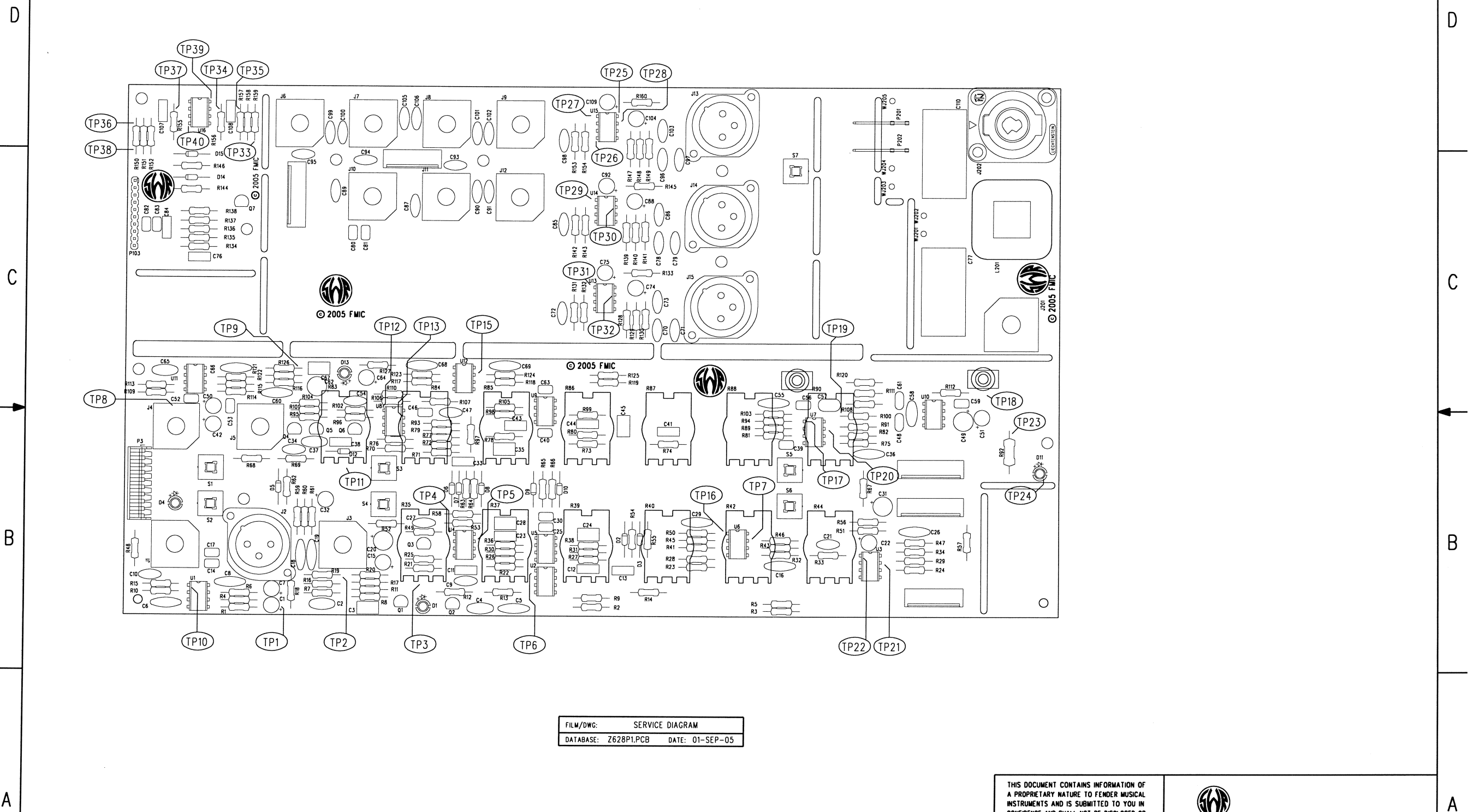


THIS DOCUMENT CONTAINS INFORMATION OF A PROPRIETARY NATURE TO FENDER MUSICAL INSTRUMENTS AND IS SUBMITTED TO YOU IN CONFIDENCE AND SHALL NOT BE DISCLOSED OR TRANSMITTED TO OTHERS WITHOUT AUTHORIZATION FROM FENDER MUSICAL INSTRUMENTS.			
CHECKED BY: <i>[Signature]</i> DATE: 9-1-05 APPROVED BY: <i>[Signature]</i> DATE: 8-5-05 DRAWN: STILLWELL ENGR: STILLWELL DATABASE FILE: Z62851.SCH		Corona, CA U.S.A. TITLE: SERVICE DIAGRAM, COMBINED (schematic) SWR CALIFORNIA BLONDE II MAIN SIZE: D DRAWING NUMBER: 0065149000 REV: B RELEASE DATE: 20-SEP-04 SHEET: 2 OF 3	

- THIS SCHEMATIC IS FOR PCB FABRICATION P/N 0065150000 AND PCB ASSEMBLY P/N 0065151000.
 - ALL DIODES ARE 1N4448.
 - ALL POLARIZED CAPACITORS IN uF, 20% 50V MINIMUM.
 - ALL UNPOLARIZED CAPACITORS IN uF, 10% OR BETTER, 50V MINIMUM. (POWER SUPPLY BYPASS CAPACITORS ARE 20%).
 - ALL RESISTORS IN OHMS, 5% 1/4W.
- NOTES: (UNLESS OTHERWISE NOTED)


8 7 6 5 4 3 2 1

REVISIONS			
REV.	DESCRIPTION	DATE	APPROVED
A	PR628	20-SEP-04	J C S
B	EC 3251	01-SEP-05	J C S



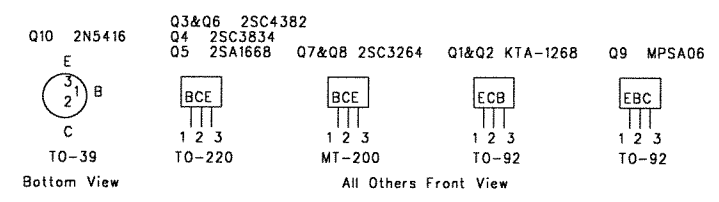
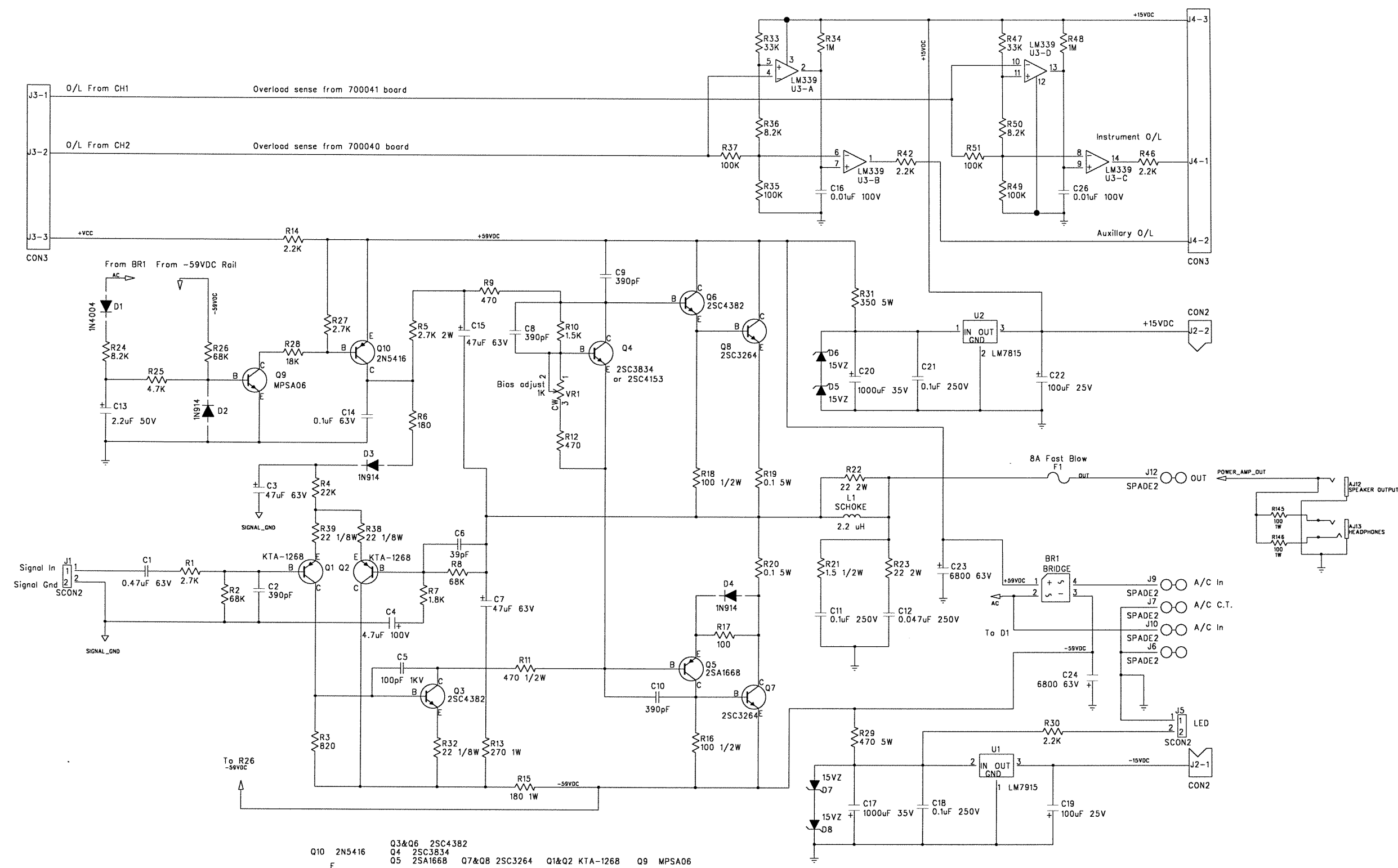
FILM/DWG: SERVICE DIAGRAM
 DATABASE: Z628P1.PCB DATE: 01-SEP-05

2. SEE SHEET 2 FOR PRIMARY WIRING.
 1. SEE SHEET 1 FOR TEST CONDITIONS AND TP VALUES.
 NOTES: (UNLESS OTHERWISE NOTED)

THIS DOCUMENT CONTAINS INFORMATION OF A PROPRIETARY NATURE TO FENDER MUSICAL INSTRUMENTS AND IS SUBMITTED TO YOU IN CONFIDENCE AND SHALL NOT BE DISCLOSED OR TRANSMITTED TO OTHERS WITHOUT AUTHORIZATION FROM FENDER MUSICAL INSTRUMENTS.		 Corona, CA U.S.A.	
CHECKED BY: <i>[Signature]</i> DATE: 9-1-05		TITLE: SERVICE DIAGRAM, COMBINED (PCB assy) CALIFORNIA BLONDE II MAIN	
APPROVED BY: <i>[Signature]</i> DATE: 9-31-05		SIZE: C	DRAWING NUMBER: 0065149000
DRAWN: PK CORBIN ENGR: J.STILLWELL		REV. B	RELEASE DATE: 20-SEP-04 SHEET 3 OF 3
DATABASE FILE: Z628P1.PCB			

8 7 6 5 4 3 2 1

REVISIONS			
REV.	DESCRIPTION	DATE	APPROVED
A	PR608	10-SEP-2003	JCS



NOTES (Unless otherwise specified):
 1. All resistor in ohms, 1/4 watt, 5%

PCB FAB 700042E

<small>THIS DOCUMENT CONTAINS INFORMATION OF A PROPRIETARY NATURE TO FENDER MUSICAL INSTRUMENTS AND IS SUBMITTED TO YOU IN CONFIDENCE AND SHALL NOT BE DISCLOSED OR TRANSMITTED TO OTHERS WITHOUT AUTHORIZATION FROM FENDER MUSICAL INSTRUMENTS.</small>		MUSICAL INSTRUMENTS Corona, CA USA	
CHECKED BY:	DATE:	TITLE: SERVICE DIAGRAM COMBINED (schematic) SWR - CALIFORNIA BLONDE POWER AMP ASSY	
APPROVED BY: <i>E. Stillwell</i>	DATE: 9-22-03	SIZE: D	DRAWING NUMBER: 0063780000
DRAWN: STILLWELL	ENGR: STILLWELL	RELEASE DATE: 10-SEP-03	REV. A
DATABASE FILE:		RELEASE DATE: 10-SEP-03	SHEET: 2 OF 2