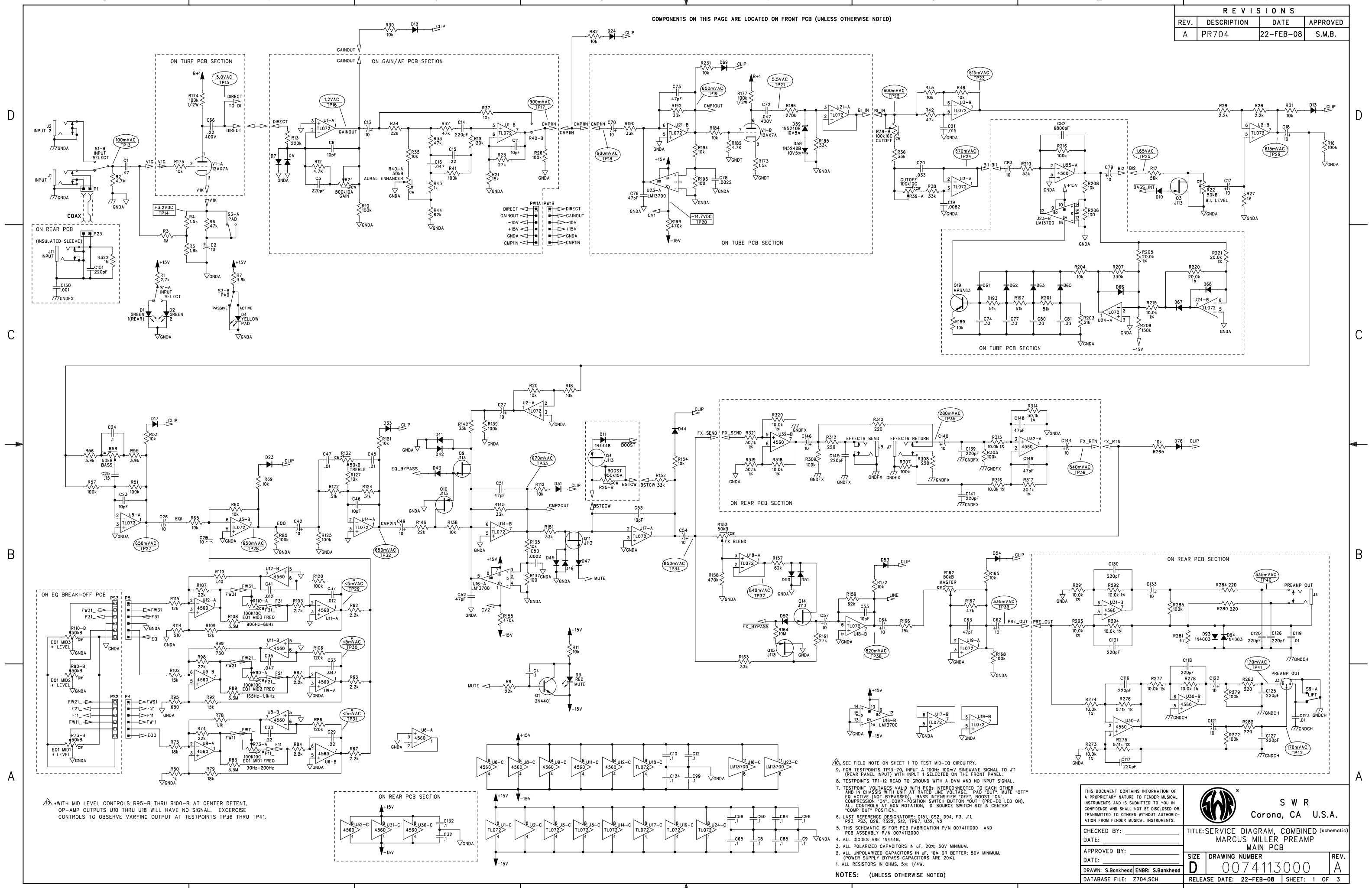


REVISIONS			
REV.	DESCRIPTION	DATE	APPROVED
A	PR704	22-FEB-08	S.M.B.

COMPONENTS ON THIS PAGE ARE LOCATED ON FRONT PCB (UNLESS OTHERWISE NOTED)



D

C

B

A

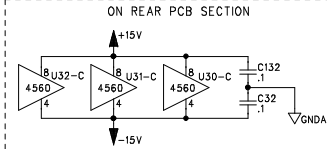
D

C

B

A

△ WITH MID LEVEL CONTROLS R95-B THRU R100-B AT CENTER DETENT, OP-AMP OUTPUTS U10 THRU U18 WILL HAVE NO SIGNAL. EXERCISE CONTROLS TO OBSERVE VARYING OUTPUT AT TESTPOINTS TP36 THRU TP41.



- △ SEE FIELD NOTE ON SHEET 1 TO TEST MID-EQ CIRCUITRY.
- FOR TESTPOINTS TP13-70, INPUT A 100Hz 100mV SINEWAVE SIGNAL TO J1 (REAR PANEL INPUT) WITH INPUT 1 SELECTED ON THE FRONT PANEL.
  - TESTPOINTS TP1-12 READ TO GROUND WITH A DVM AND NO INPUT SIGNAL.
  - TESTPOINT VOLTAGES VALID WITH PCBs INTERCONNECTED TO EACH OTHER AND IN CHASSIS WITH UNIT AT RATED LINE VOLTAGE. PAD "OUT", MUTE EQ ACTIVE (NOT BYPASSED), BASS INTENSIFIER "OFF", BOOST "ON", COMPRESSION "ON", COMP-POSITION SWITCH BUTTON "OUT" (PRE-EQ LED ON), ALL CONTROLS AT 60° ROTATION, DI SOURCE SWITCH "S2" IN CENTER "COMP OUT" POSITION.
  - LAST REFERENCE DESIGNATORS: C151, C52, D94, F3, J11, P23, P53, Q26, R322, S12, T967, U32, V2
  - THIS SCHEMATIC IS FOR PCB FABRICATION P/N 007411000 AND PCB ASSEMBLY P/N 007412000
  - ALL POLARIZED CAPACITORS IN  $\mu$ F, 20% 50V MINIMUM.
  - ALL UNPOLARIZED CAPACITORS IN  $\mu$ F, 10% OR BETTER; 50V MINIMUM. (POWER SUPPLY BYPASS CAPACITORS ARE 20%).
  - ALL RESISTORS IN OHMS, 5% 1/4W.

NOTES: (UNLESS OTHERWISE NOTED)

THIS DOCUMENT CONTAINS INFORMATION OF A PROPRIETARY NATURE TO FENDER MUSICAL INSTRUMENTS AND IS SUBMITTED TO YOU IN CONFIDENCE AND SHALL NOT BE DISCLOSED OR TRANSMITTED TO OTHERS WITHOUT AUTHORIZATION FROM FENDER MUSICAL INSTRUMENTS.

**S W R**  
Corona, CA U.S.A.

TITLE: SERVICE DIAGRAM, COMBINED (schematic)  
MARCUS MILLER PREAMP  
MAIN PCB

CHECKED BY: \_\_\_\_\_  
DATE: \_\_\_\_\_

APPROVED BY: \_\_\_\_\_  
DATE: \_\_\_\_\_

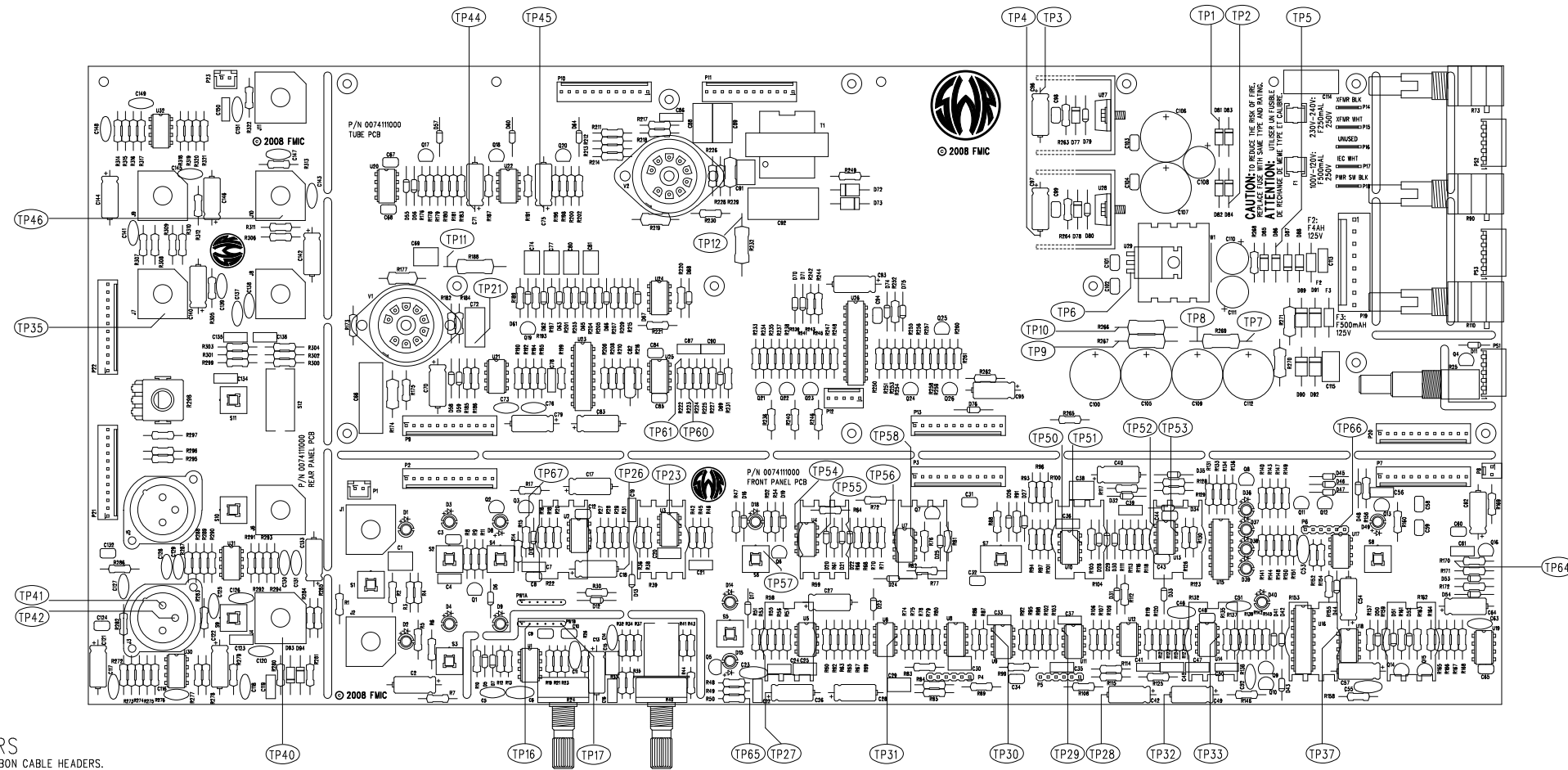
DRAWN: S.Bankhead ENGR: S.Bankhead  
DATABASE FILE: Z704.SCH

SIZE: **D** DRAWING NUMBER: 0074113000 REV. A

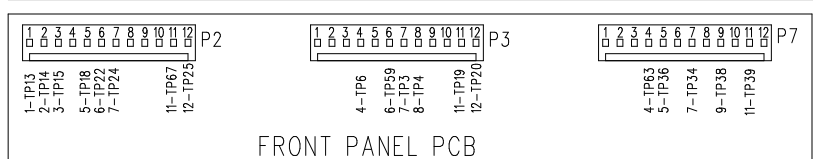
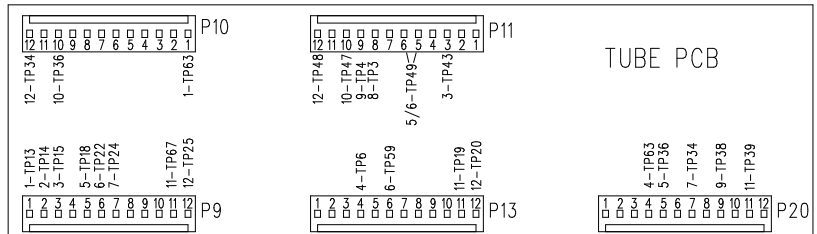
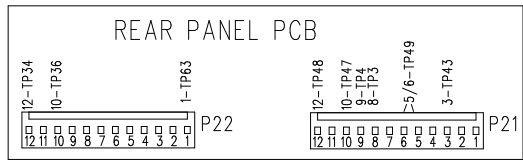
RELEASE DATE: 22-FEB-08 SHEET: 1 OF 3



REVISIONS			
REV.	DESCRIPTION	DATE	APPROVED
A	PR704	22-FEB-08	S.M.B.



**TEST POINTS AT HEADERS**  
 THE TEST POINTS SPECIFIED BELOW ARE ACCESSIBLE AT THE RIBBON CABLE HEADERS.  
 TEST POINTS SHOULD BE MEASURED WITH CABLES INSTALLED.  
 VERIFY SIGNAL AT EACH END TO CHECK CABLE CONTINUITY.



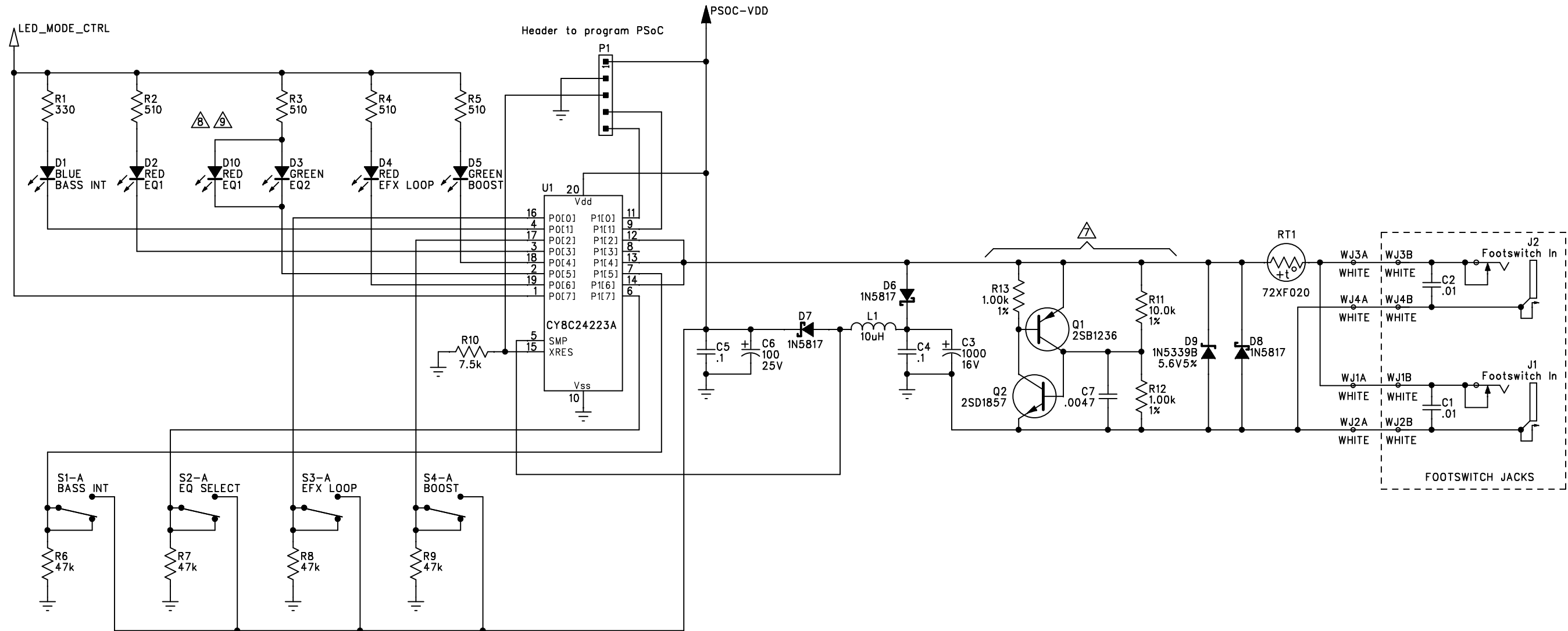
FILM/DWG: SERVICE DIAGRAM  
 DATABASE: Z704.PCB DATE: 22-FEB-08

1. SEE SHEET 1 FOR TEST CONDITIONS & TEST POINT VALUES.  
 NOTES: (UNLESS OTHERWISE NOTED)

THIS DOCUMENT CONTAINS INFORMATION OF A PROPRIETARY NATURE TO FENDER MUSICAL INSTRUMENTS AND IS SUBMITTED TO YOU IN CONFIDENCE AND SHALL NOT BE DISCLOSED OR TRANSMITTED TO OTHERS WITHOUT AUTHORIZATION FROM FENDER MUSICAL INSTRUMENTS.		SWR Corona, CA U.S.A.	
CHECKED BY:	DATE:	TITLE: SERVICE DIAGRAM, COMBINED (PCB assy) MARCUS MILLER PREAMP MAIN	
APPROVED BY:	DATE:	SIZE: D	DRAWING NUMBER: 0074113000
DRAWN: S. Bankhead	ENGR: S. Bankhead	RELEASE DATE: 22-FEB-08	REV. A
DATABASE FILE: Z704.PCB		SHEET 3	OF 3

REVISIONS			
REV.	DESCRIPTION	DATE	APPROVED
A	PR705	12-OCT-06	R J D
B	PR704	30-JAN-08	S.M.B.

ISSP interface to PSoC is provided as one way to program the PSoC during initial testing (Ref. Cypress Application Note AN2014)



- ⚠ ASSY 0075432000: DO NOT STUFF D2-3
- ⚠ ASSY 0072474000: DO NOT STUFF D10
- ⚠ DO NOT STUFF: C7, Q1-2, R11-13.
- 6. LAST REFERENCE DESIGNATORS: C7, D10, J2, P1, Q2, R13, RT1, S5, U1, WJ4.
- 5. THIS SCHEMATIC IS FOR PCB FABRICATION P/N 0072473000 AND PCB ASSEMBLIES P/N 0072474000 (SM-1500) & 0075432000 (MARCUS MILLER PREAMP).
- 4. ALL DIODES ARE 1N4448.
- 3. ALL POLARIZED CAPACITORS IN  $\mu\text{F}$ , 20%; 50V MINIMUM.
- 2. ALL UNPOLARIZED CAPACITORS IN  $\mu\text{F}$ , 10% OR BETTER; 50V MINIMUM. (POWER SUPPLY BYPASS CAPACITORS ARE 20%).
- 1. ALL RESISTORS IN OHMS, 5%; 1/4W.

NOTES: (UNLESS OTHERWISE NOTED)

THIS DOCUMENT CONTAINS INFORMATION OF A PROPRIETARY NATURE TO FENDER MUSICAL INSTRUMENTS AND IS SUBMITTED TO YOU IN CONFIDENCE AND SHALL NOT BE DISCLOSED OR TRANSMITTED TO OTHERS WITHOUT AUTHORIZATION FROM FENDER MUSICAL INSTRUMENTS.		<b>Fender</b> MUSICAL INSTRUMENTS Corona, CA U.S.A.	
CHECKED BY: _____ DATE: _____		TITLE: SERVICE DIAGRAM, COMBINED (schematic) SWR SM1500 FOOTSWITCH, 4-BUTTON	
APPROVED BY: _____ DATE: _____		SIZE <b>B</b>	REV. <b>B</b>
DRAWN: B. DESI	ENGR: B. DESI	DRAWING NUMBER <b>0072472000</b>	
DATABASE FILE: z705s5.SCH		RELEASE DATE: 12-OCT-06	SHEET: 1 OF 1