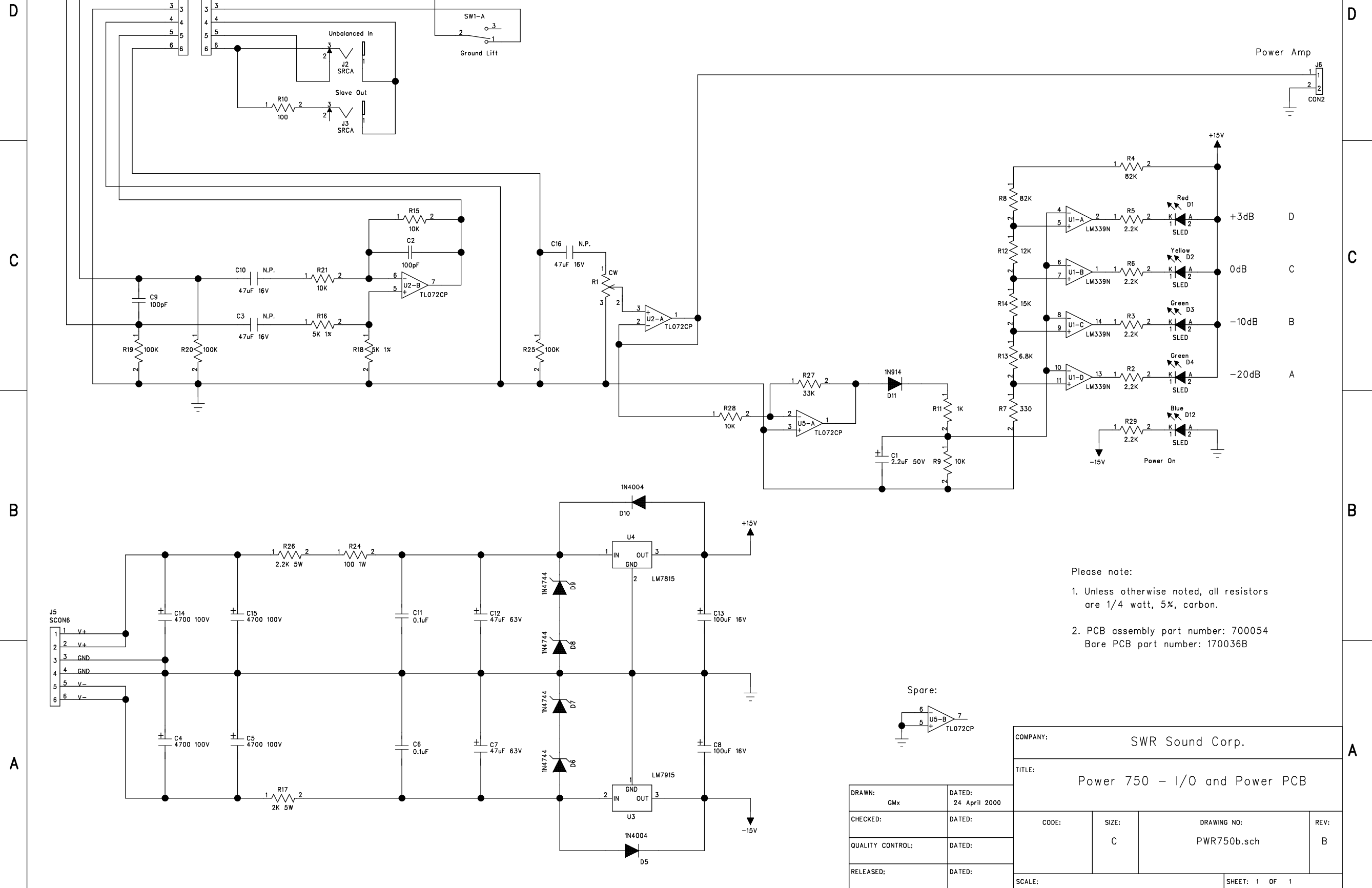
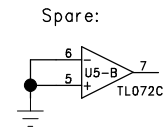


REVISION RECORD			
LTR	ECO NO:	APPROVED:	DATE:
A		6 Apr 00/GMx	

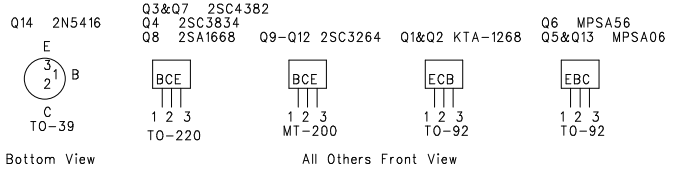
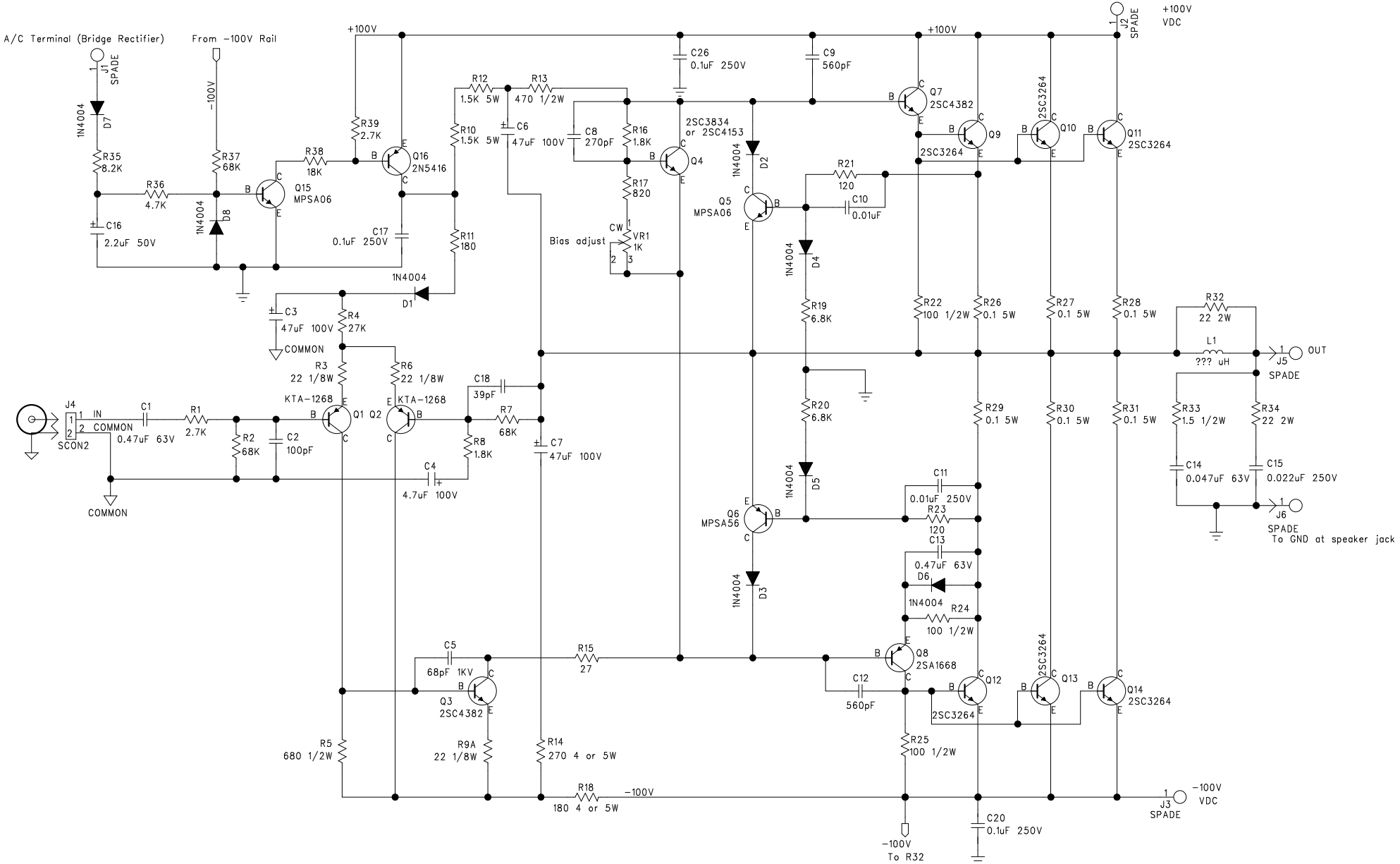


Please note:
 1. Unless otherwise noted, all resistors are 1/4 watt, 5%, carbon.
 2. PCB assembly part number: 700054
 Bare PCB part number: 170036B



DRAWN: GMx	DATED: 24 April 2000
CHECKED:	DATED:
QUALITY CONTROL:	DATED:
RELEASED:	DATED:

COMPANY: SWR Sound Corp.			
TITLE: Power 750 - I/O and Power PCB			
CODE:	SIZE: C	DRAWING NO: PWR750b.sch	REV: B
SCALE:		SHEET: 1 OF 1	



NOTES (Unless otherwise specified):
 1. All resistor in ohms, 1/4 watt, 5%
 2. PCB part # for all units is 170033B
 Module is 700051

SWR Sound Corp.

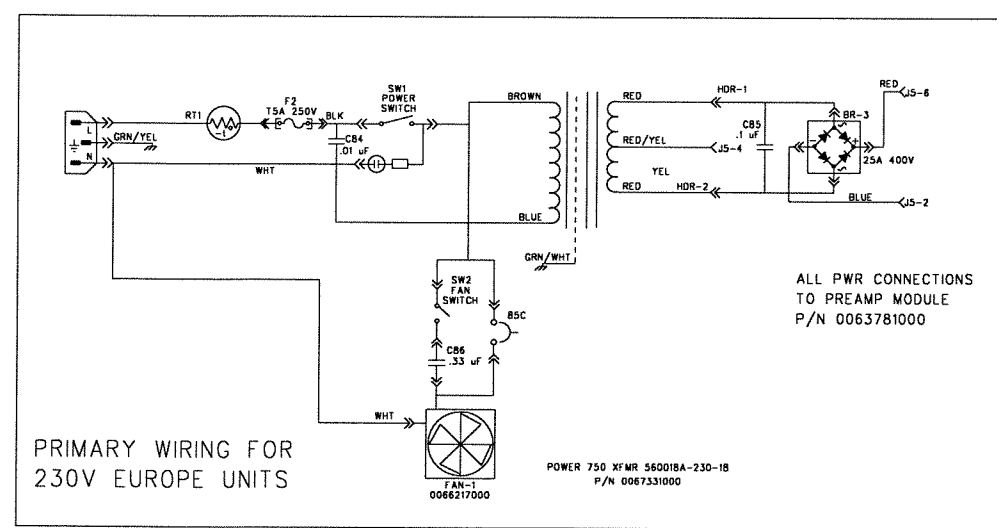
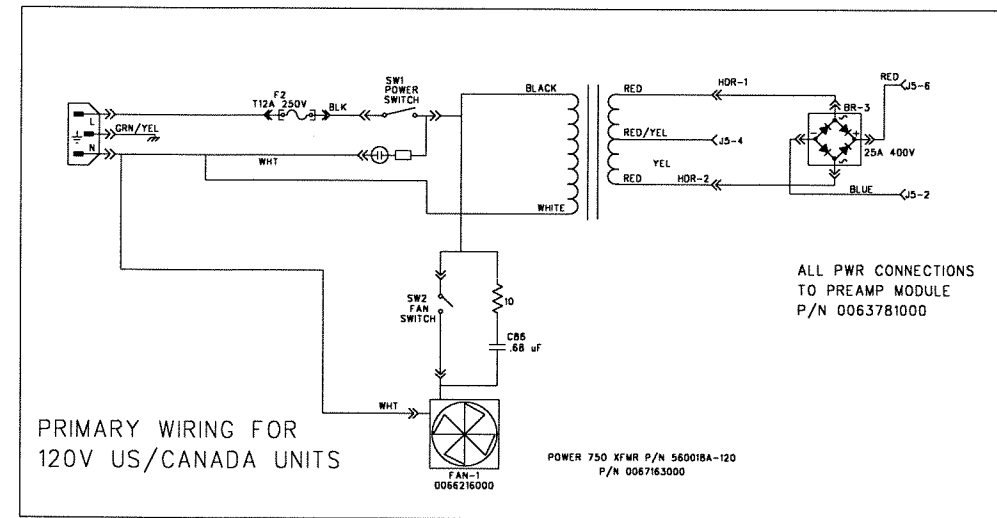
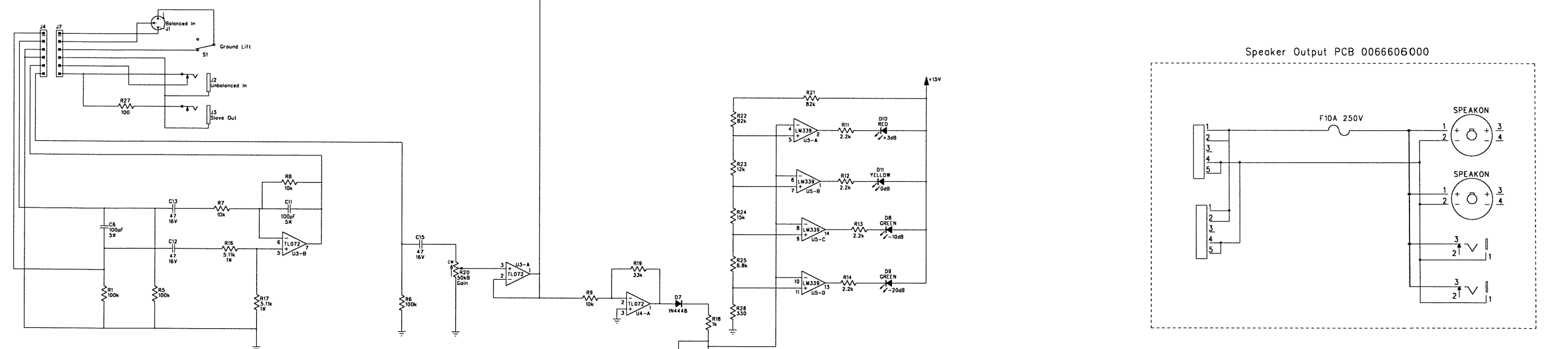
SWR750 - Power Amp Module

June 2002
Revision E
Page 1 of 1

REVISIONS			
REV.	DESCRIPTION	DATE	APPROVED
A	EC 2997	05-NOV-03	S.M.B.

TO POWER AMP MODULE 0066636000

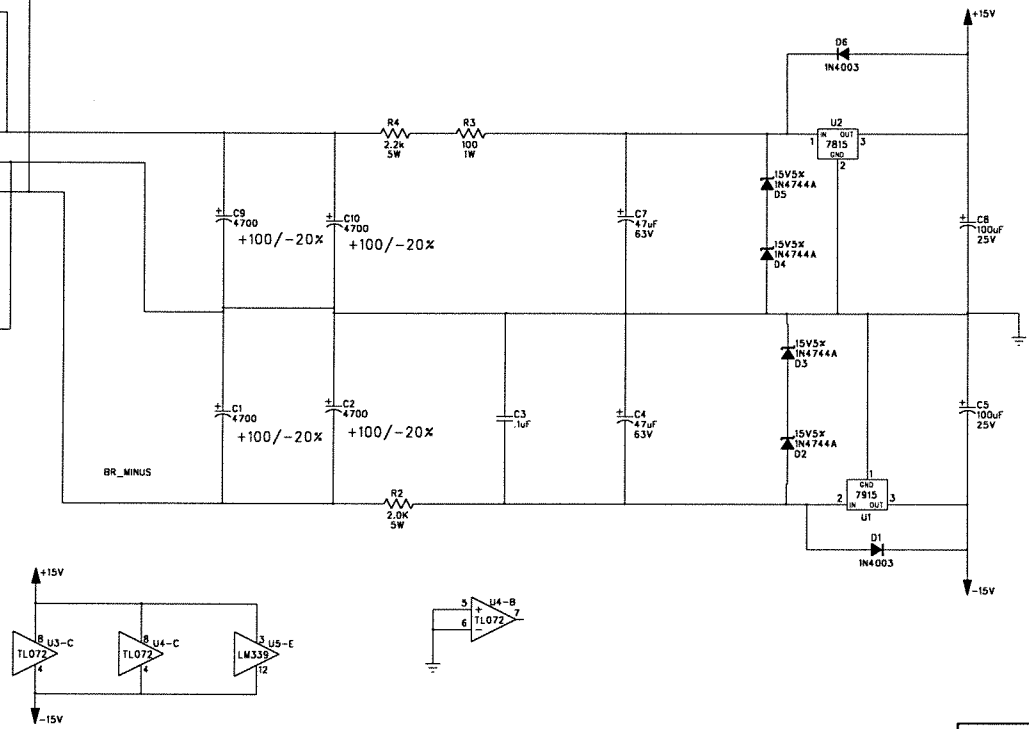
Speaker Output PCB 0066606000



To Power Amp Module

From Bridge Rectifier

To Chassis



THIS DOCUMENT CONTAINS INFORMATION OF A PROPRIETARY NATURE TO FENDER MUSICAL INSTRUMENTS AND IS SUBMITTED TO YOU IN CONFIDENCE AND SHALL NOT BE DISCLOSED OR TRANSMITTED TO OTHERS WITHOUT AUTHORIZATION FROM FENDER MUSICAL INSTRUMENTS.

Fender MUSICAL INSTRUMENTS
Corona, CA U.S.A.

CHECKED BY: _____ TITLE: SERVICE DIAGRAM, COMBINED (schematic) POWER 750

DATE: 11-21-03

APPROVED BY: *S. Bankhead* SIZE: DRAWING NUMBER: D 0063781000 REV. A

DRAWN: G.Stock ENGR: S.Bankhead

DATABASE FILE: PWR750prp.SCH RELEASE DATE: 05-NOV-03 SHEET: 1 OF 1

5. THIS SCHEMATIC IS FOR PCB ASSEMBLY P/N 0066635000
4. ALL DIODES ARE 1N4448.
3. ALL POLARIZED CAPACITORS IN μF, 20X; 50V MINIMUM.
2. ALL UNPOLARIZED CAPACITORS IN μF, 10X OR BETTER; 50V MINIMUM. (POWER SUPPLY BYPASS CAPACITORS ARE 20X).
1. ALL RESISTORS IN OHMS, 5X; 1/4W.
- NOTES: (UNLESS OTHERWISE NOTED)