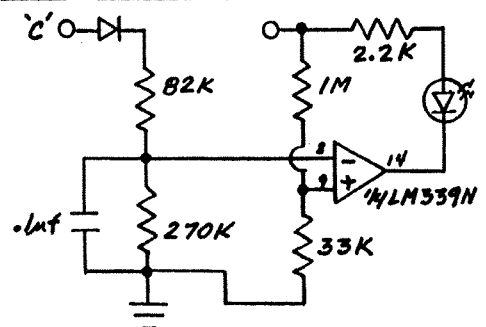
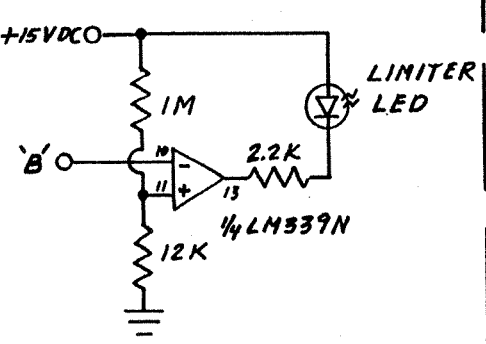
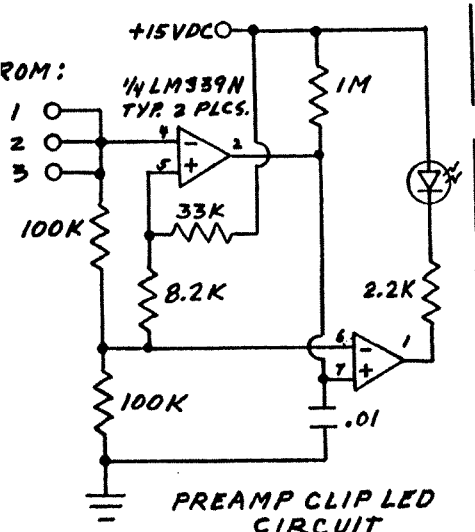


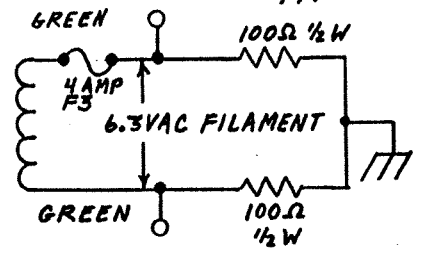
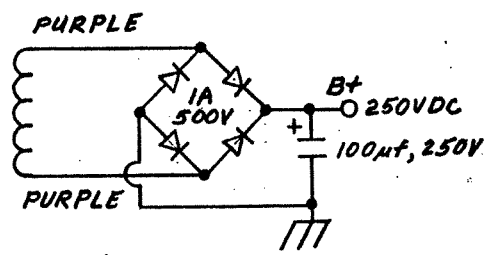
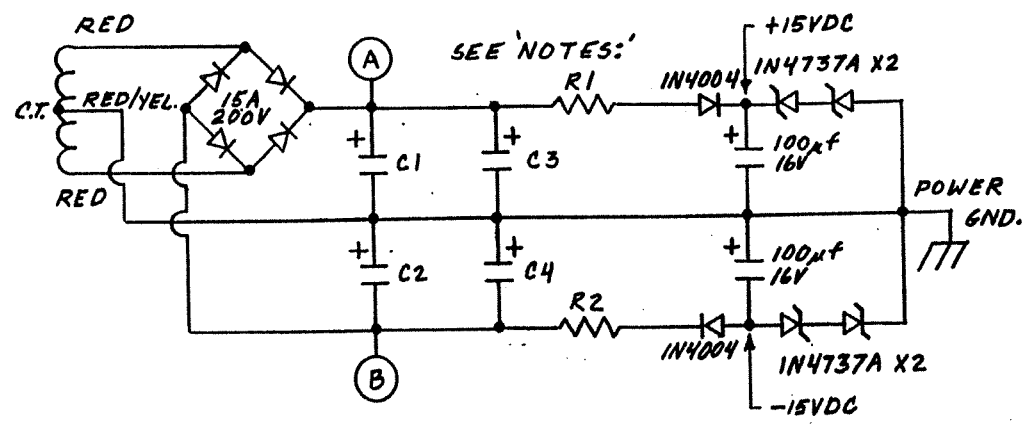
NOTES: UNLESS OTHERWISE SPECIFIED
 1. ALL CAPACITORS IN MICROFARADS
 2. ALL RESISTORS 1/4W, 5%
 3. ALL J.C.P. - TLO72 CP
 4. ALL DIODES - 1N914
 5. SERIAL NUMBERS 0001 thru 0549, EFFECTS LOOP IS POST MASTER VOLUME

**PREAMP SCHEMATIC
 REDHEAD**
 JUNE 6, 1990 PCB # 170007
 DESIGNED + DRAWN - S.H. RABE
 # 1007

SWR ENGINEERING, INC.
 12823 Feather Blvd. Unit B
 SYLMAR, CALIFORNIA 91342

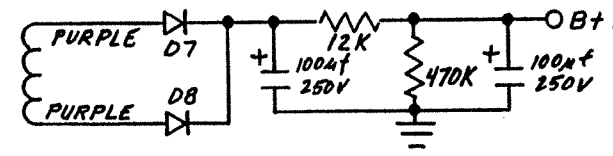
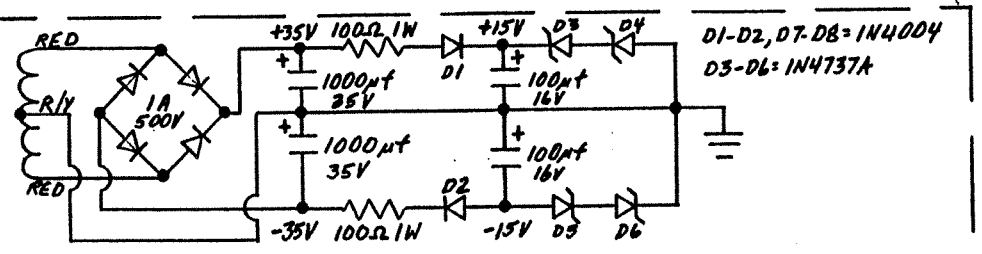


NOTE: NOT ON SM-400 OR G.T.P.



REF.:

- STUDIO 220 PCB#170001
- SM-400 PCB#170003, 170004
- BABY/ELECTRIC BLUE PCB#170008
- STEREO 800/SM-900 #170011
- BASSIC BLACK PCB#170013



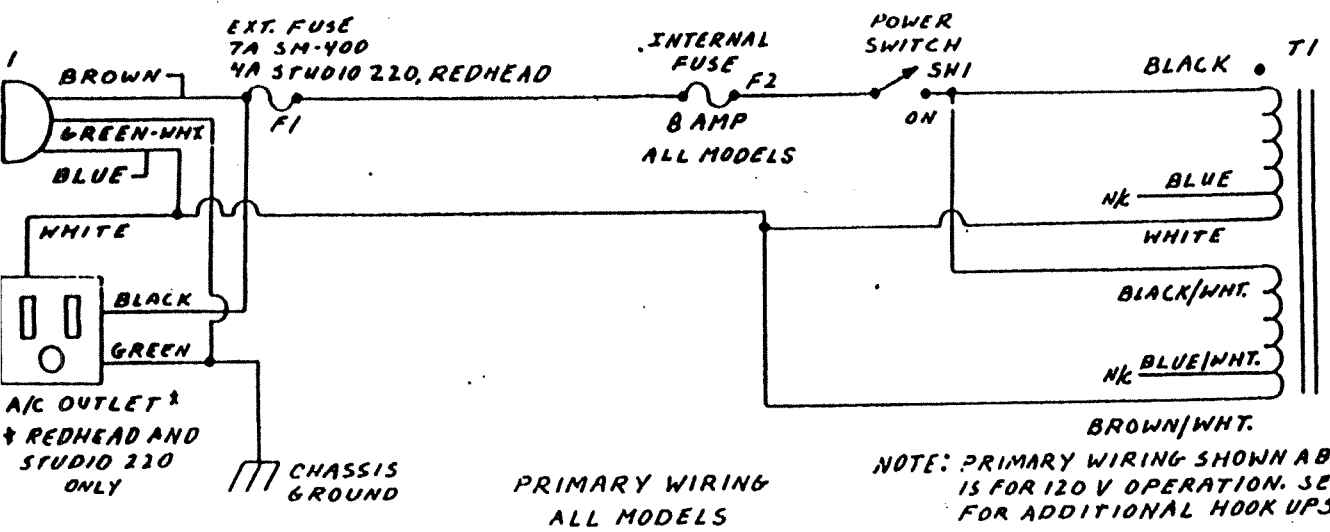
NOTES:

- POINT 'A' = +DCV, POINT 'B' = -DCV
- G.T. PREAMP = ±35V
- STUDIO 220, SM-400, REDHEAD, BABY/ELECTRIC BLUE = ±60V
- STEREO 800, SM-900 = ±75V
- C1 THRU C4 VALUES
- G.T. PREAMP C1, C2 = 1000uF, 35V
- STUDIO 220, BABY/ELECTRIC BLUE C1, C2 = 470uF, 63V C3, C4 = N/A
- SM-400, REDHEAD C1-C4 = 470uF, 63V
- STEREO 800, SM-900 C1-C4 = 6800uF, 80V
- BASSIC BLACK C1, C2 = 470uF 63V
- R1 AND R2 VALUES
- G.T. PREAMP = 100Ω, 1W
- STUDIO 220, SM-400 = 660Ω, 3W
- REDHEAD, BABY/ELECTRIC BLUE, BASSIC BLACK = 820Ω, 3W
- STEREO 800 = 1.1K, 5W
- SM-900 = 550Ω, 10W

SWR ENGINEERING, INC.
12823 Foothill Blvd. Unit F
SYLMAR, CALIFORNIA 91342

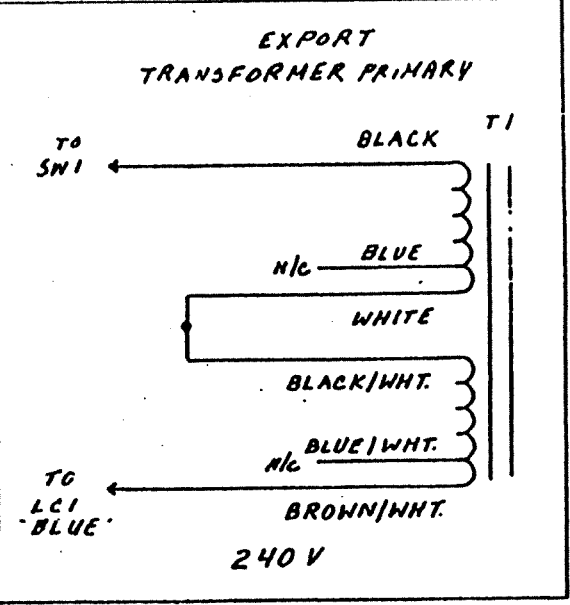
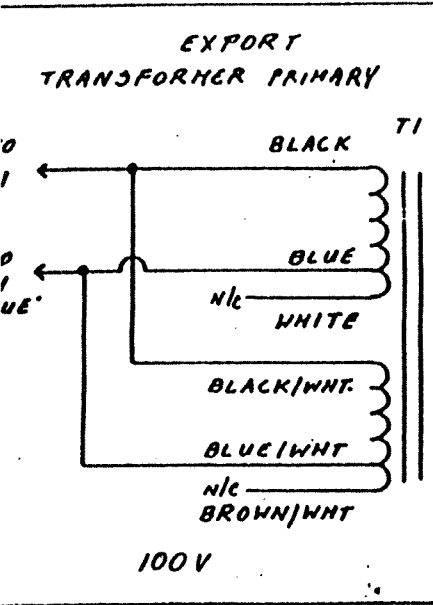
SCHMATIC
• SECONDARY WIRING
• PREAMP/POWER CLIP CIRC.
• ALL MODELS

REV. C NO. 1002
DRAWN: S.W. RABE FEB. 6, 1971



NOTE: PRIMARY WIRING SHOWN ABOVE IS FOR 120 V OPERATION. SEE BELOW FOR ADDITIONAL HOOK UPS.

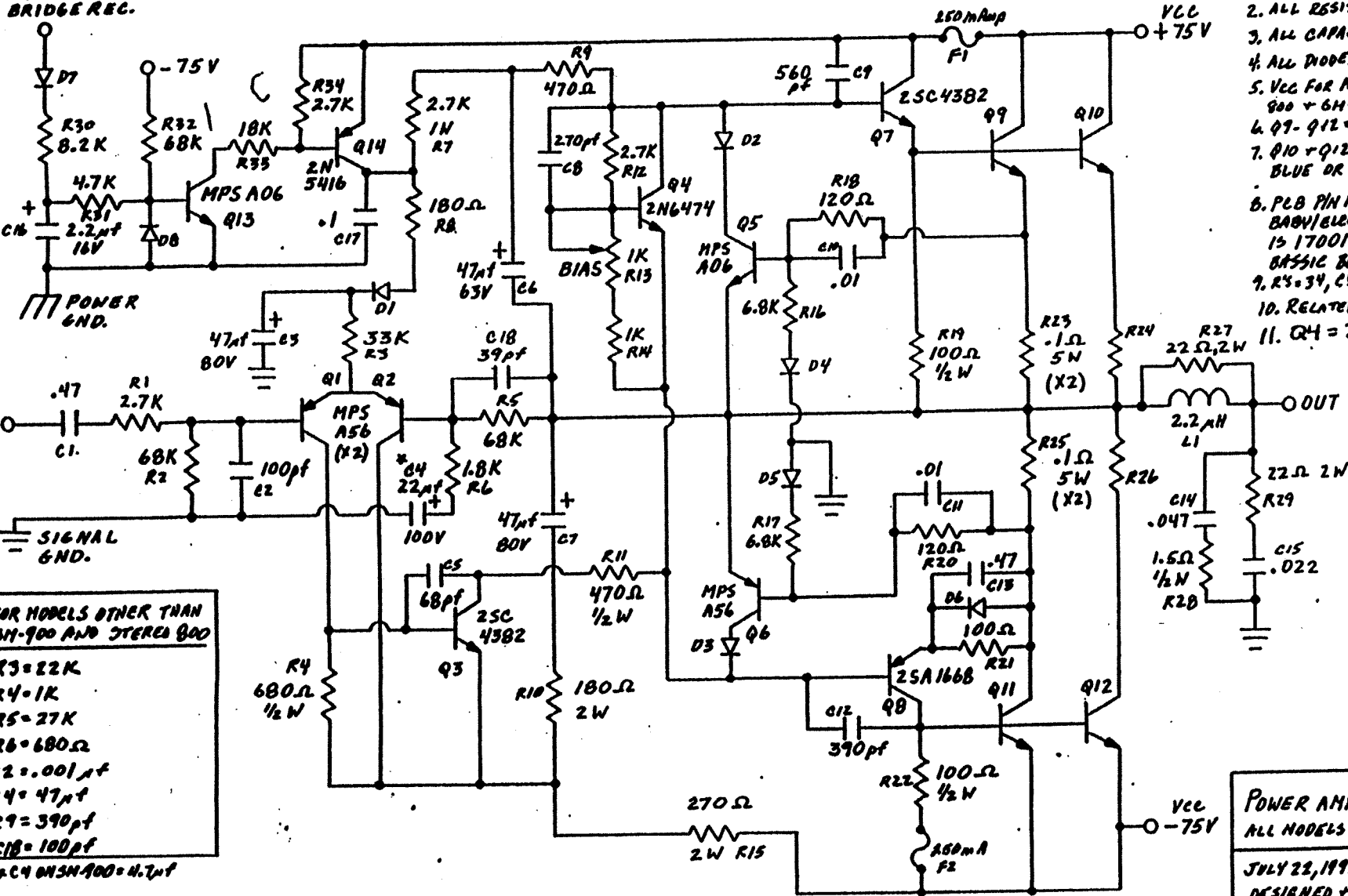
- NOTES:
1. 'N/C' = NO CONNECTION
 2. 'WHT' = WHITE
 3. F1 FUSES ARE 3AG, 5LO-BLO
 4. F2 FUSES ARE 3AG, FAST BLO, PIGTAIL.
 5. ALL PRIMARY WIRE UL TYPE 1015 OR 1007, 18 GA.
 6. PIN FOR STUDIO 220 TRANSFORMER = 560001A. 3M-400/REDHEAD = PIN 560003A. BABY/ELECTRIC BLUE = 560005 GRAND PRIX PREAMP = 560006



SWR ENGINEERING, INC.
12823 Foothill Blvd., Unit F
SYLMAR, CA 91342

SCHEMATIC
PRIMARY WIRING
DOMESTIC + EXPORT
ALL MODELS
FEB. 22, 1990 DHM S.N.R.
NO. 1001 REV. C

A/C TERMINAL
BRIDGE REC.



- NOTES: UNLESS OTHERWISE SPECIFIED.
1. SEE TABLE FOR ALTERNATE R+C VALUES FOR OTHER MODELS. VALUES SHOWN ARE FOR STEREO 800, SM-900.
 2. ALL RESISTORS IN OHMS, 4%N, 5%.
 3. ALL CAPACITORS IN MICRO-FARAD.
 4. ALL DIODES IN 4004.
 5. VCC FOR MODELS OTHER THAN STEREO 800 + SM-900 = ± 60VDC
 6. Q9 - Q12 = 2SC3264 (BANKER ONLY)
 7. Q10 + Q12 NOT ON BABY/ELECTRIC BLUE OR BASSIC BLACK
 8. PCB PIN FOR ALL MODELS EXCEPT BABY/ELECTRIC BLUE + BASSIC BLACK IS 170010. BABY BLUE - 170013. BASSIC BLACK - 170013.
 9. R5=34, C3=18, D3=8, Q4=14, L1, F1=2
 10. RELATED DML'S 1002, 1003
 11. Q4 = 2SC3834 after 1/25/98

FOR MODELS OTHER THAN SM-900 AND STEREO 800

R3=22K
 R4=1K
 R5=27K
 R6=680Ω
 C2=.001μf
 C4=47μf
 C9=390pf
 C18=100pf
 *C4 ON SM-900=4.7μf

POWER AMP SCHEMATIC 1011
 ALL MODELS BUILT AFTER JUNE, 1992

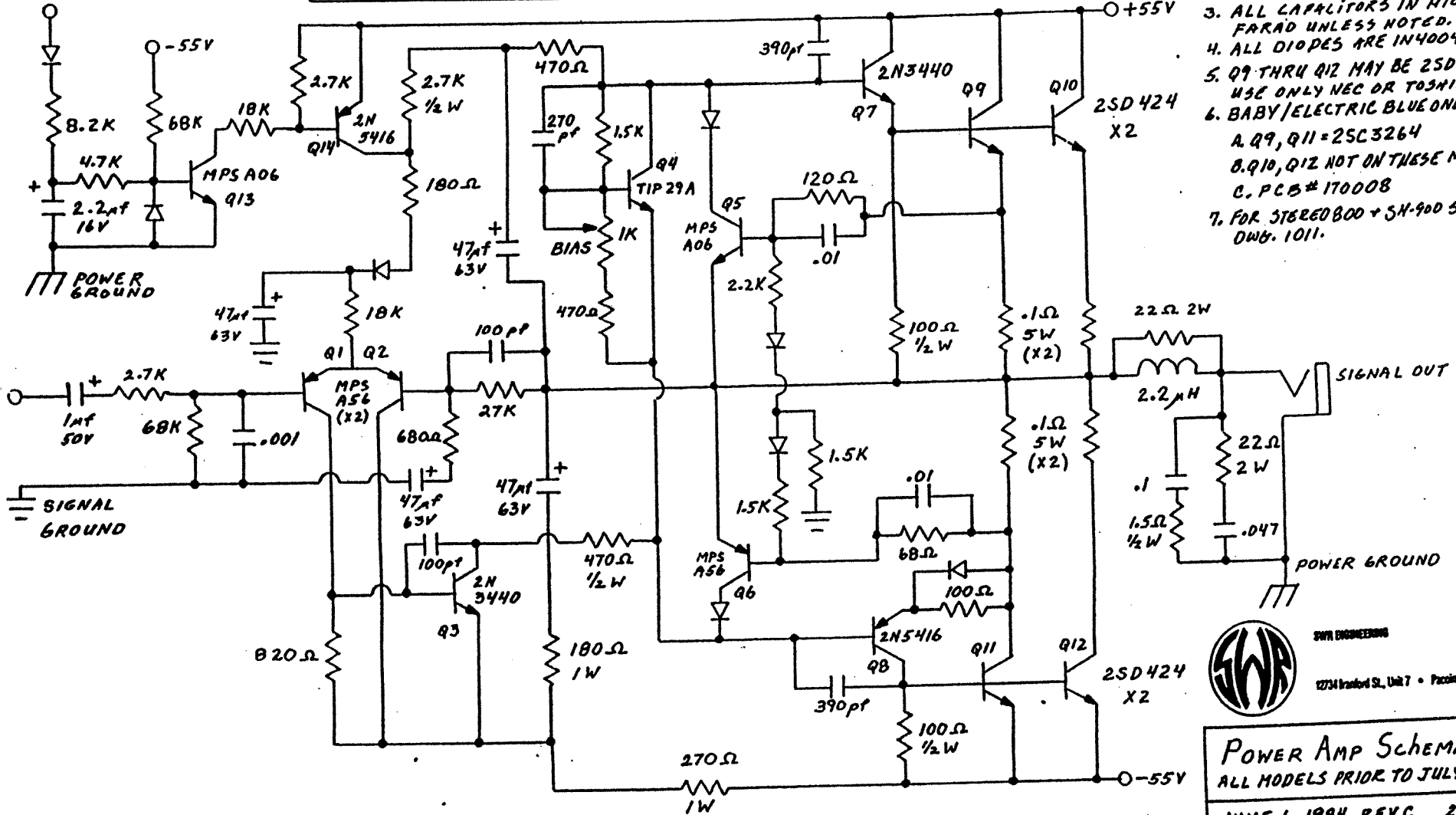
JULY 22, 1992
 DESIGNED + OWN. BY: S.H. RABE
 SWR ENG., INC. 818-874-3355

NOTE: FOR FOLLOWING MODELS AND SERIAL #S, USE DRAWING #1011
 STUDIO 220 - S/N 2539 AND GREATER.
 SM-400 - S/N 5105 " " "
 REDHEADS - S/N 2403 " " "

NOTES:

1. D.C. VOLTAGES FOR REDHEAD ARE 10% HIGHER.
2. ALL RESISTORS 1/4 WATT UNLESS NOTED.
3. ALL CAPACITORS IN MICRO-FARAD UNLESS NOTED.
4. ALL DIODES ARE IN4004.
5. Q9 THRU Q12 MAY BE 2SD555. USE ONLY NEC OR TOSHIBA.
6. BABY/ELECTRIC BLUE ONLY:
 A. Q9, Q11 = 2SC3264
 B. Q10, Q12 NOT ON THESE MODELS
 C. PCB # 170008
7. FOR STEREO800 + SM-900 SEE DWG. 1011.

A/C TERMINAL BRIDGE REC.



S.W.R. ENGINEERING
 12734 Bradford St., Unit 7 • Pacoima, CA 91331

Power Amp Schematic
 ALL MODELS PRIOR TO JULY, 1992
 JUNE 6, 1984 REV.C 2-5-91.
 DESIGNED + DRAWN - S.W. RABE
 PCB # 170002 A NO. 1003