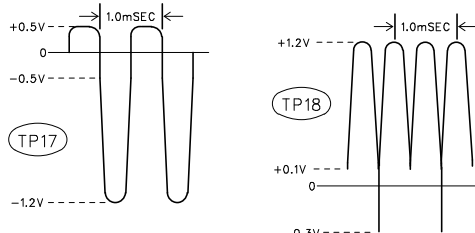
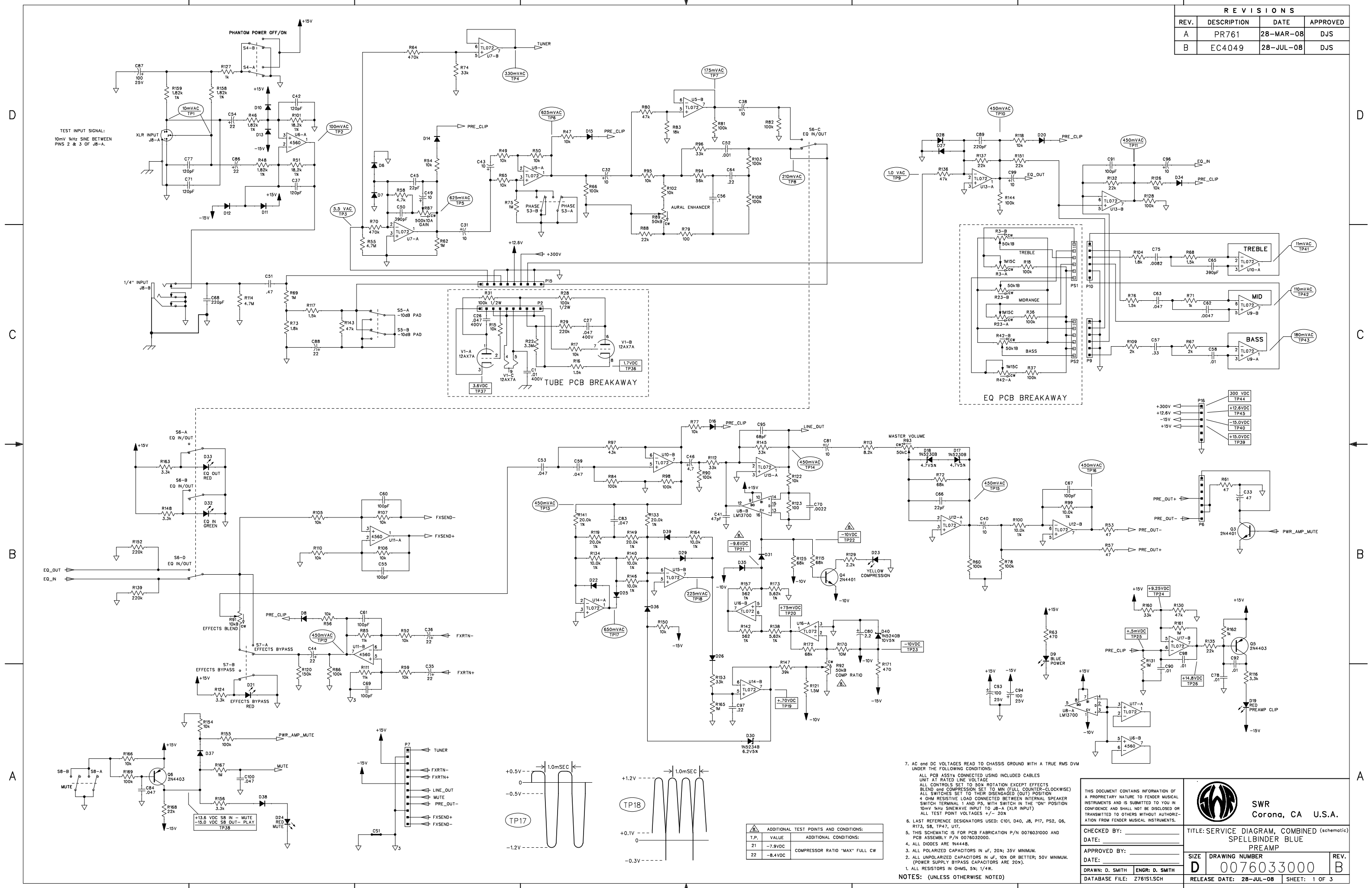


REVISIONS			
REV.	DESCRIPTION	DATE	APPROVED
A	PR761	28-MAR-08	DJS
B	EC4049	28-JUL-08	DJS



T.P.	VALUE	ADDITIONAL CONDITIONS:
21	-7.9VDC	
22	-8.4VDC	COMPRESSOR RATIO "MAX" FULL CW

7. AC and DC VOLTAGES READ TO CHASSIS GROUND WITH A TRUE RMS DVM UNDER THE FOLLOWING CONDITIONS:
- ALL PCB ASSYS CONNECTED USING INCLUDED CABLES UNIT AT RATED LINE VOLTAGE
 - ALL CONTROLS SET TO 50% ROTATION EXCEPT EFFECTS BLEND AND COMPRESSION SET TO MIN (FULL COUNTER-CLOCKWISE)
 - ALL SWITCHES SET TO THEIR DISENGAGED (OUT) POSITION
 - 4 OHM RESISTIVE LOAD CONNECTED BETWEEN INTERNAL SPEAKER SWITCH TERMINAL 1 AND P5, WITH SWITCH IN THE "ON" POSITION
 - 10mV 1kHz SINEWAVE INPUT TO JB-A (XLR INPUT)
 - ALL TEST POINT VOLTAGES +/- 20%
6. LAST REFERENCE DESIGNATORS USED: C101, D40, J8, P17, P52, Q6, R173, S8, TP47, U17.
5. THIS SCHEMATIC IS FOR PCB FABRICATION P/N 0076031000 AND PCB ASSEMBLY P/N 0076032000.
4. ALL DIODES ARE 1N4448.
3. ALL POLARIZED CAPACITORS IN uF; 20% 35V MINIMUM.
2. ALL UNPOLARIZED CAPACITORS IN uF; 10% OR BETTER; 50V MINIMUM. (POWER SUPPLY BYPASS CAPACITORS ARE 20%).
1. ALL RESISTORS IN OHMS, 5% 1/4W.
- NOTES: (UNLESS OTHERWISE NOTED)

THIS DOCUMENT CONTAINS INFORMATION OF A PROPRIETARY NATURE TO FENDER MUSICAL INSTRUMENTS AND IS SUBMITTED TO YOU IN CONFIDENCE AND SHALL NOT BE DISCLOSED OR TRANSMITTED TO OTHERS WITHOUT AUTHORIZATION FROM FENDER MUSICAL INSTRUMENTS.

SWR
Corona, CA U.S.A.

TITLE: SERVICE DIAGRAM, COMBINED (schematic)
SPELLBINDER BLUE
PREAMP

CHECKED BY: _____
DATE: _____

APPROVED BY: _____
DATE: _____

DRAWN: D. SMITH ENGR: D. SMITH
DATABASE FILE: Z761S1.SCH

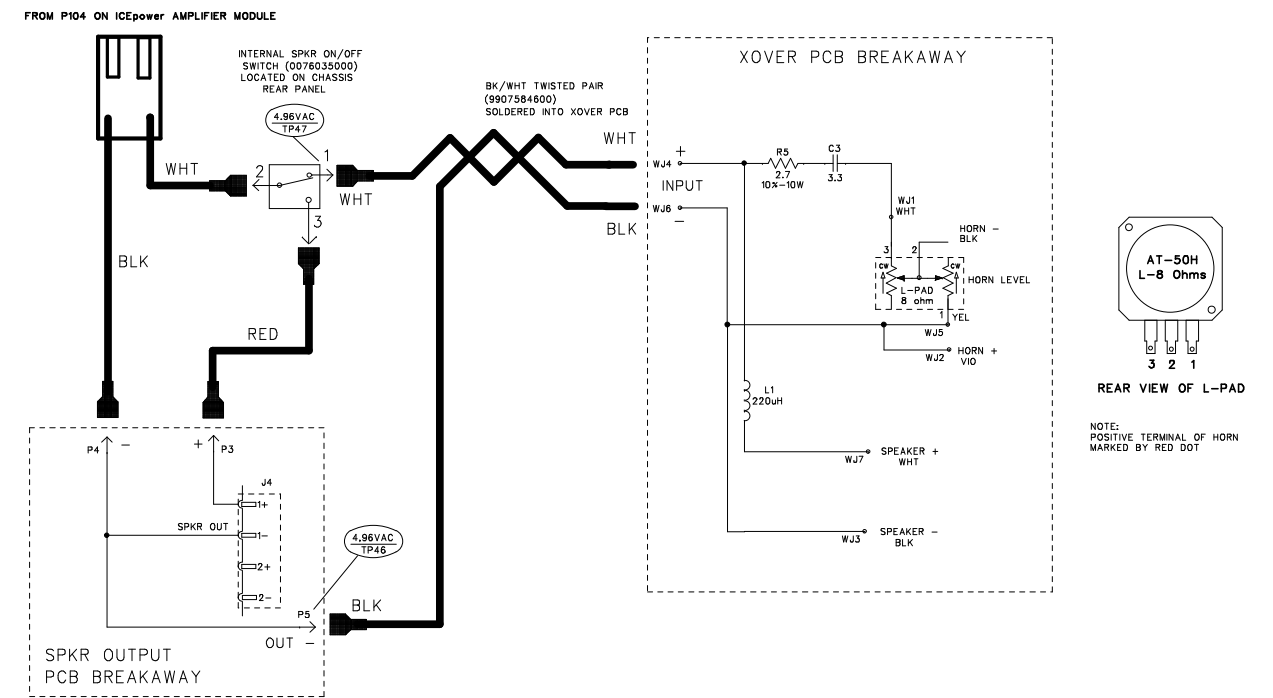
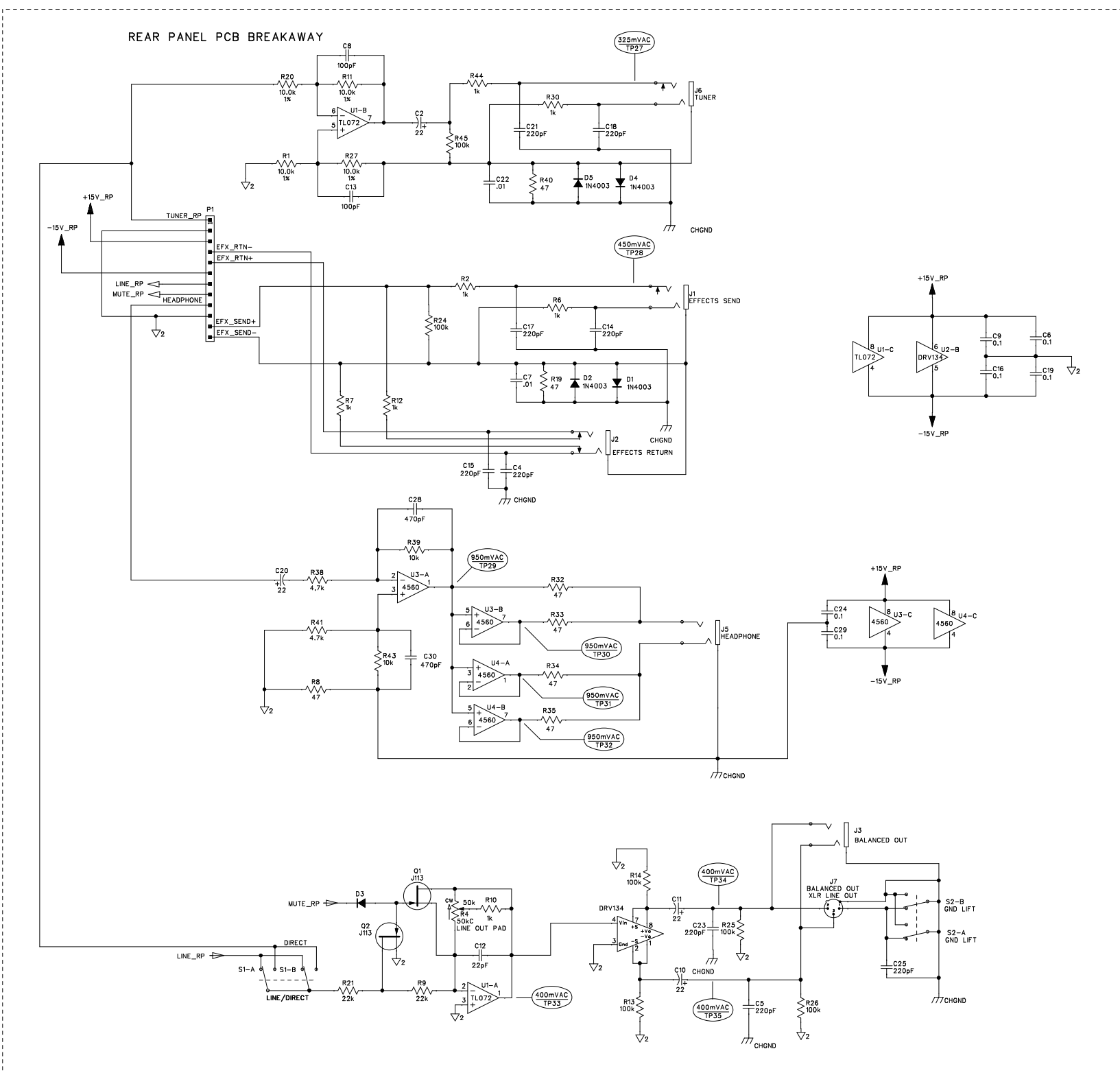
SIZE: **D** DRAWING NUMBER: **0076033000** REV. **B**

RELEASE DATE: 28-JUL-08 SHEET: 1 OF 3

REVISIONS			
REV.	DESCRIPTION	DATE	APPROVED
A	PR761	28-MAR-08	DJS
B	EC4049	28-JUL-08	DJS

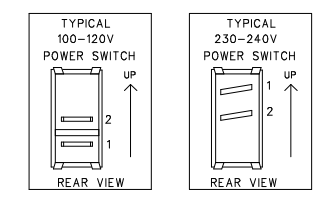
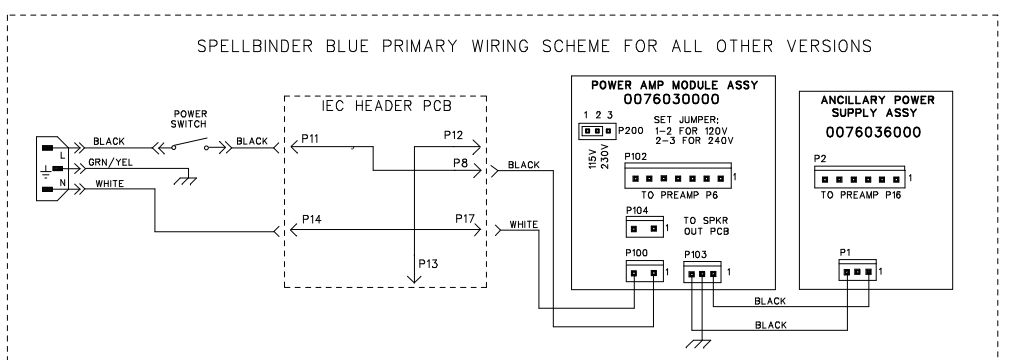
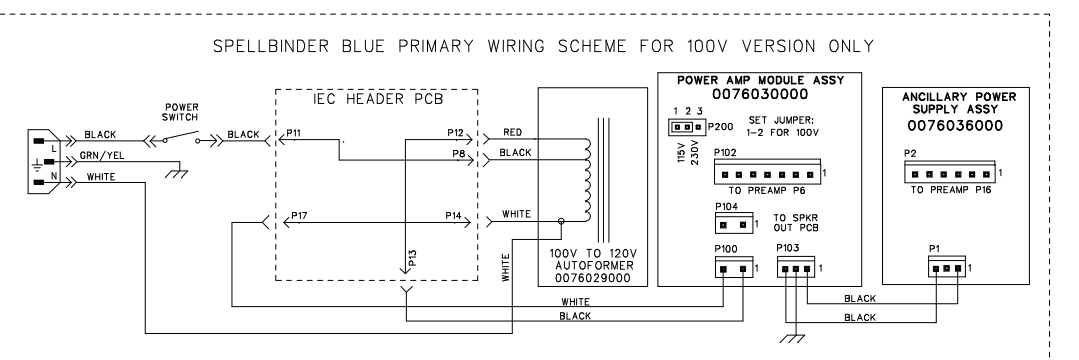
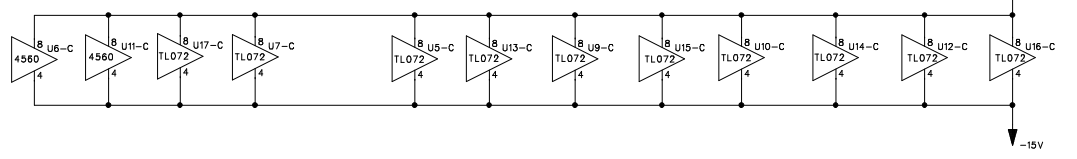
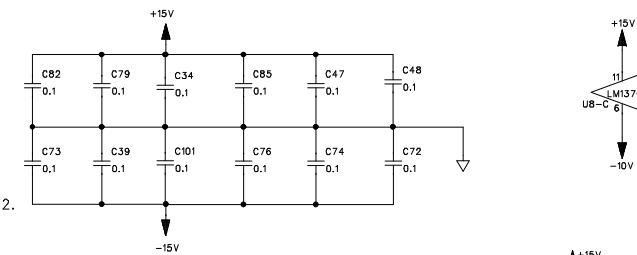
D
C
B
A

D
C
B
A



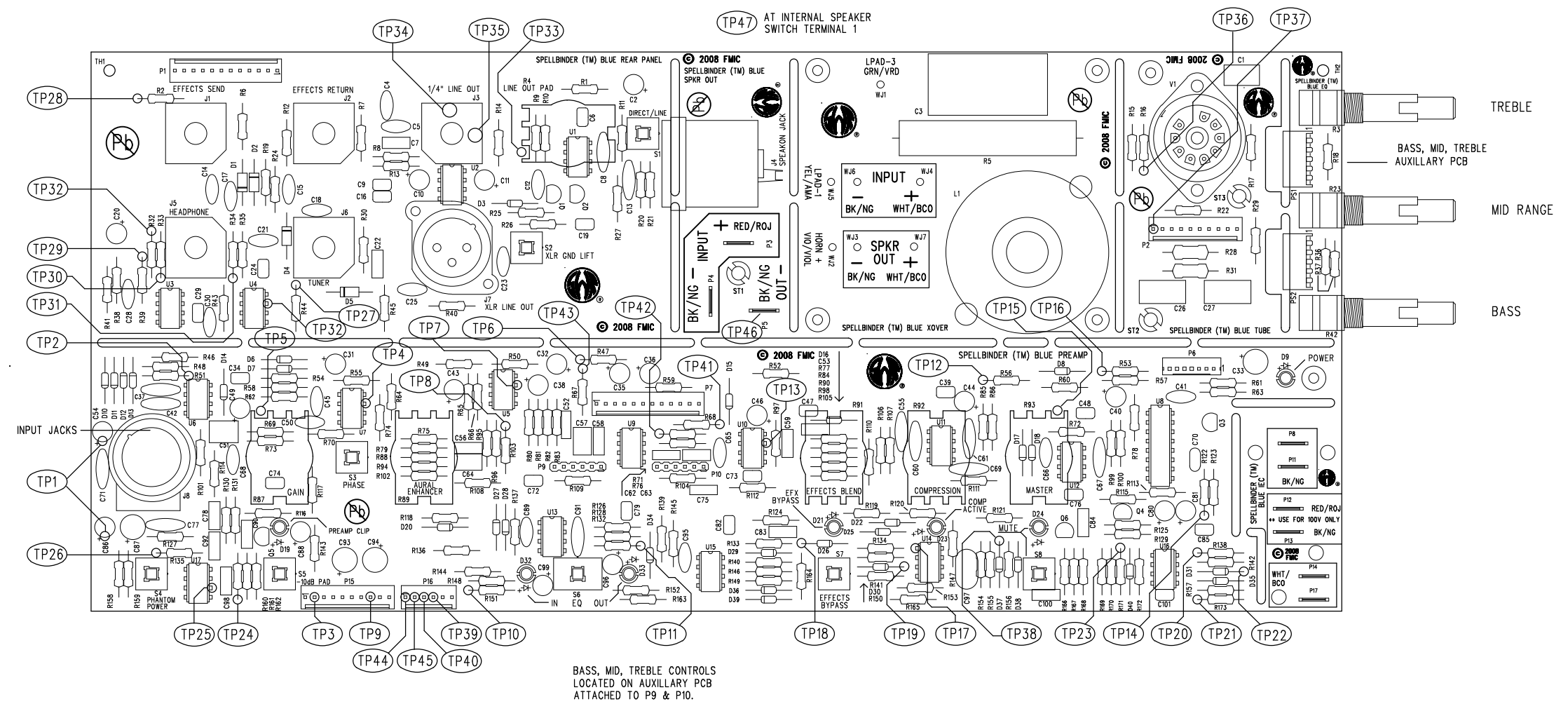
ATTENTION:
OUTPUT IS BRIDGED. DO NOT SHORT EITHER SIDE TO GROUND. RUN OUTPUT TEST ONLY AS LONG AS REQUIRED TO OBTAIN MEASUREMENT.

OUTPUT TEST:
4 OHMS RESISTIVE LOAD BETWEEN INTERNAL SPKR SWITCH PIN 1 & P5. MASTER AND EFFECTS BLEND @ FULL CW. UNIT POWERED AT RATED LINE VOLTAGE. INPUT 305mV APPROXIMATE @ 1kHz AT EFFECTS RETURN JACK J2. 24.5 VRMS BRIDGED, MEASURED ACROSS THE LOAD AT TP46 AND TP47.



THIS DOCUMENT CONTAINS INFORMATION OF A PROPRIETARY NATURE TO FENDER MUSICAL INSTRUMENTS AND IS SUBMITTED TO YOU IN CONFIDENCE AND SHALL NOT BE DISCLOSED OR TRANSMITTED TO OTHERS WITHOUT AUTHORIZATION FROM FENDER MUSICAL INSTRUMENTS.		 SWR Corona, CA U.S.A.
CHECKED BY: _____ DATE: _____ APPROVED BY: _____ DATE: _____ DRAWN: D. SMITH ENGR: D. SMITH DATABASE FILE: Z761S1.SCH		
TITLE: SERVICE DIAGRAM, COMBINED (schematic) SPELLBINDER BLUE PREAMP		SIZE: D DRAWING NUMBER: 0076033000 REV: B
1. SEE PAGE 1 NOTES: (UNLESS OTHERWISE NOTED)		RELEASE DATE: 28-JUL-08 SHEET: 2 OF 3

REVISIONS			
REV.	DESCRIPTION	DATE	APPROVED
A	PR761	17-MAR-08	D J S
B	EC4049	28-JUL-08	D J S



BASS, MID, TREBLE CONTROLS
LOCATED ON AUXILIARY PCB
ATTACHED TO P9 & P10.

FILM/DWG: SERVICE DIAGRAM
DATABASE: Z761P1.PCB DATE: 28-JUL-08

- 2. WIRES NOT SHOWN FOR CLARITY.
- 1. SEE SHEETS 1 & 2 FOR PRIMARY WIRING DETAILS, TEST CONDITIONS, AND TEST POINT VALUES.

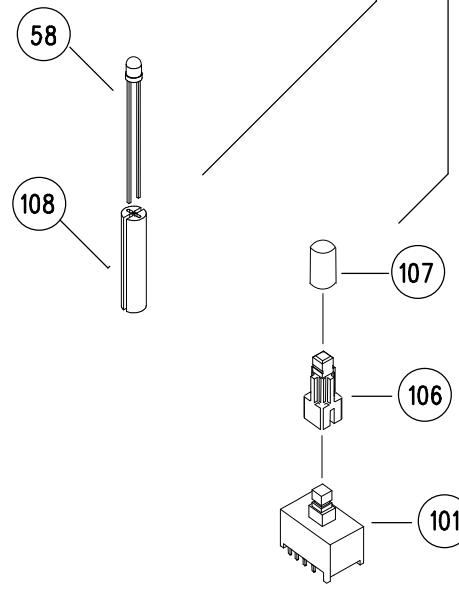
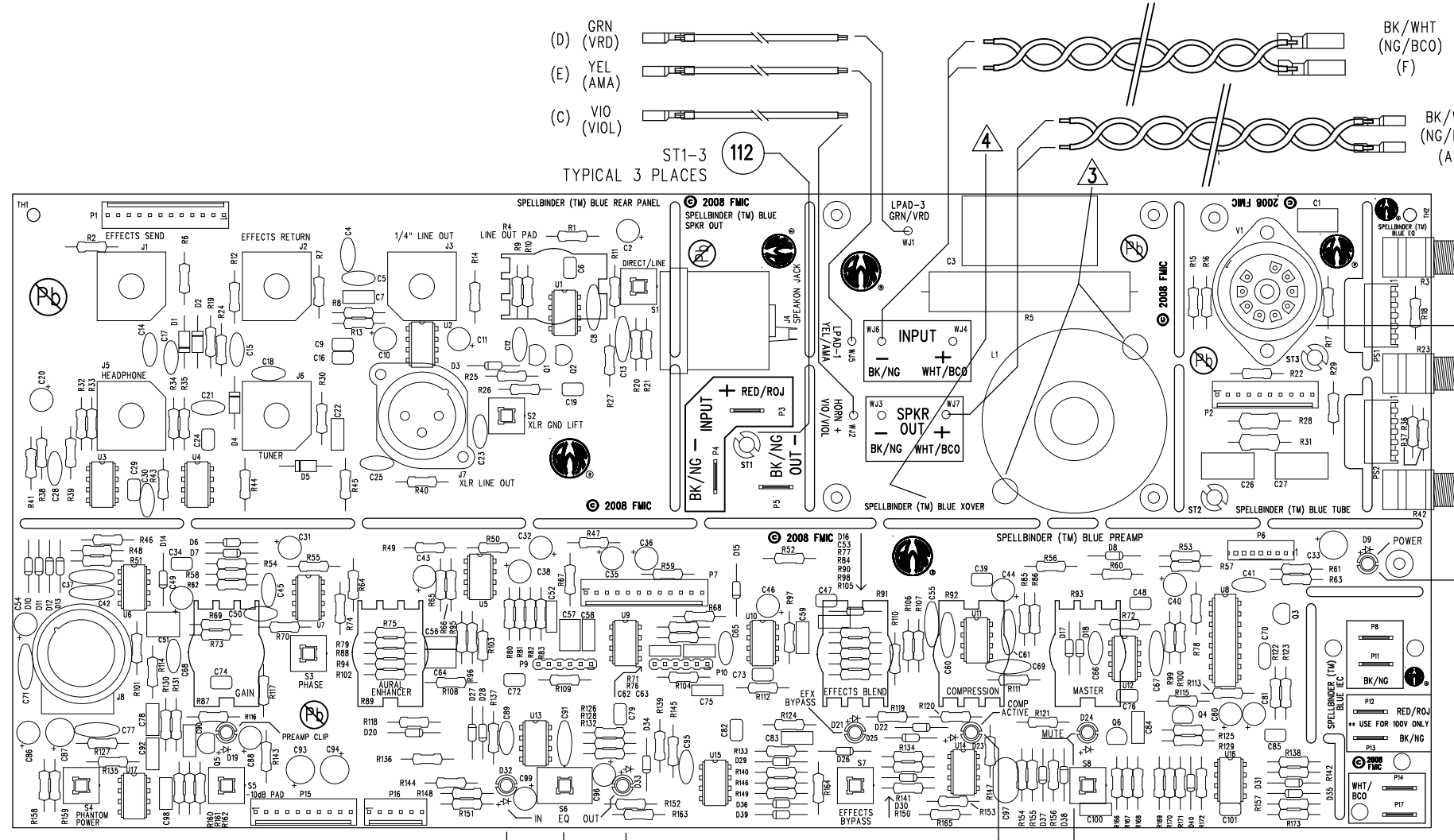
NOTES: (UNLESS OTHERWISE NOTED)

THIS DOCUMENT CONTAINS INFORMATION OF A PROPRIETARY NATURE TO FENDER MUSICAL INSTRUMENTS AND IS SUBMITTED TO YOU IN CONFIDENCE AND SHALL NOT BE DISCLOSED OR TRANSMITTED TO OTHERS WITHOUT AUTHORIZATION FROM FENDER MUSICAL INSTRUMENTS.		MUSICAL INSTRUMENTS Corona, CA U.S.A.	
CHECKED BY: _____ DATE: _____		TITLE: SERVICE DIAGRAM, COMBINED (PCB assy) SPELLBINDER BLUE PREAMP	
APPROVED BY: _____ DATE: _____		SIZE C	DRAWING NUMBER 0076033000
DRAWN: D. SMITH	ENGR: D. SMITH	RELEASE DATE: 17-MAR-08	REV. B SHEET 3 OF 3
DATABASE FILE: Z761P1.PCB		SHEET 3 OF 3	

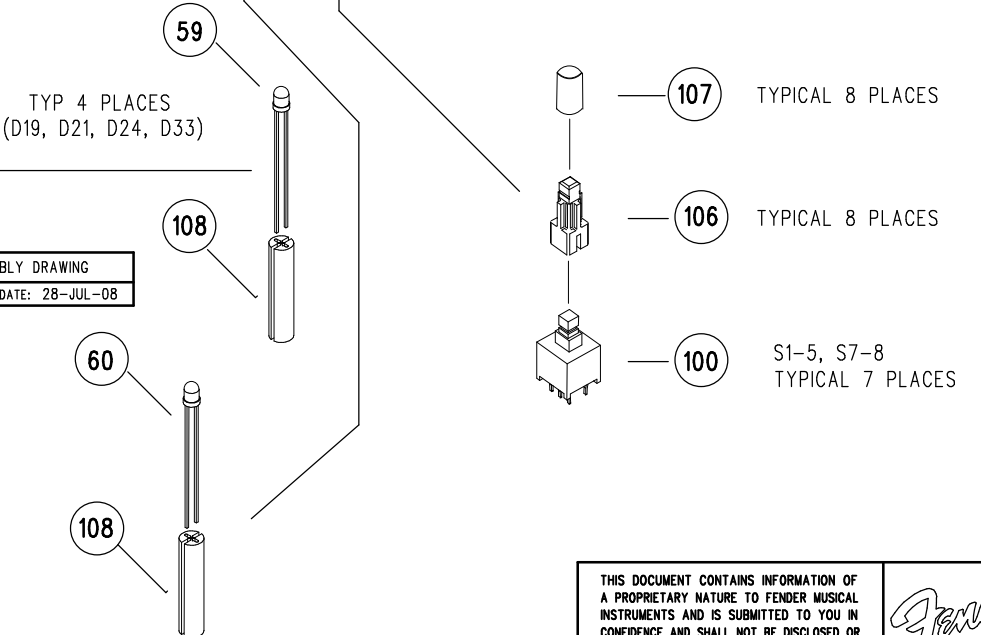
8 7 6 5 4 3 2 1

REVISIONS			
REV.	DESCRIPTION	DATE	APPROVED
A	PR761	17-MAR-08	D J S
B	EC4049	28-JUL-08	D J S

D
C
B
A



FILM/DWG: PCB ASSEMBLY DRAWING
 DATABASE: Z761P1.PCB DATE: 28-JUL-08



- 4 XOVER BREAKAWAY INSTALLED IN PLATE ASSY XOVER (0076028000).
 - 3 SECURE LARGE INDUCTOR (L1) WITH 2 CABLE TIES.
 2. SECURE C3, L1 AND R5 TO PCB WITH RTV.
 1. SEE A-SIZED SHEETS 2-4 FOR BOM.
- NOTES: (UNLESS OTHERWISE NOTED)

THIS DOCUMENT CONTAINS INFORMATION OF A PROPRIETARY NATURE TO FENDER MUSICAL INSTRUMENTS AND IS SUBMITTED TO YOU IN CONFIDENCE AND SHALL NOT BE DISCLOSED OR TRANSMITTED TO OTHERS WITHOUT AUTHORIZATION FROM FENDER MUSICAL INSTRUMENTS.		MUSICAL INSTRUMENTS Corona, CA U.S.A.	
CHECKED BY: _____	TITLE: PCB ASSEMBLY, SPELLBINDER BLUE PREAMP		
DATE: _____	SIZE	DRAWING NUMBER	REV.
APPROVED BY: _____	C	0076032000	B
DATE: _____	RELEASE DATE: 17-MAR-08	SHEET 1 OF 4	
DRAWN: D. SMITH	ENGR: D. SMITH		
DATABASE FILE: Z761P1.PCB			

8 7 6 5 4 3 2 1