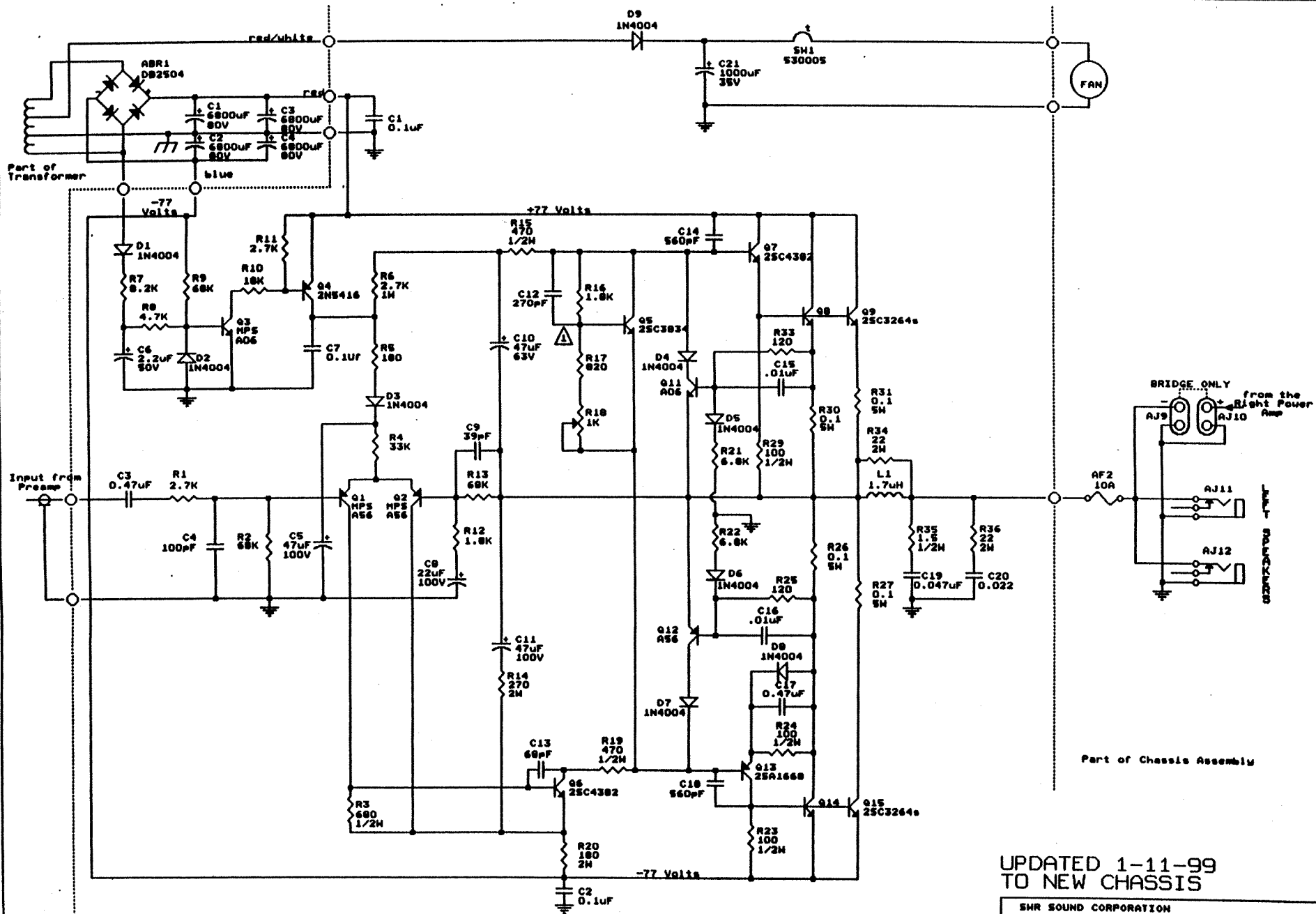


3. Part number IDs preceded by an "A" are part of the chassis sub-assembly.
  2. All TL072s have +15 volts on pin 6, and Ground on pin 4.
  1. All resistors values are Ohms.
- NOTES (Unless otherwise specified):**

SHR Sound Corporation  
 9130 Glenoaks Blvd.  
 Sun Valley, CA 91352  
 PHONE: (818) 253-4797 FAX: (818) 253-4799  
<http://www.shr.org.com>  
 Title  
 INPUT BOARD, ST-800  
 Size Document Number  
 8 700010 REV  
 Date: July 13, 1998 Sheet 1 of 1

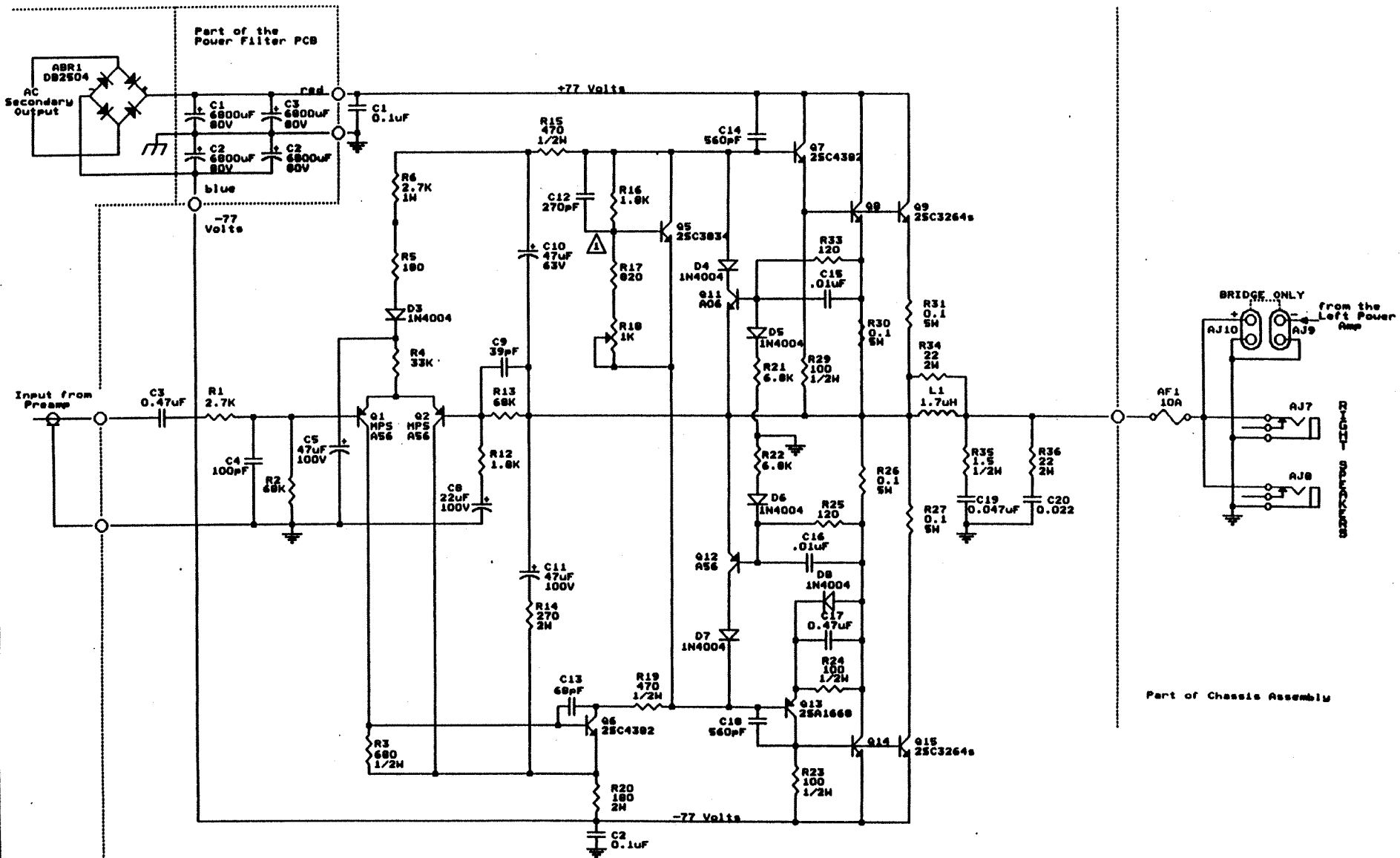


Part of Chassis Assembly

UPDATED 1-11-99  
TO NEW CHASSIS

SHR SOUND CORPORATION 9130 Glenoaks Blvd. Sun Valley, CA 91352 TEL:(818)253-4797 FAX:(818)253-4799 http://www.shrans.com		
Title	LEFT POWER AMP - ST-800	
Size	Document Number	REV
B	700015	B
Date:	June 29, 1999	Sheet 1 of 1

3. Reference designators with an A prefix are part of the chassis sub-assembly.
  2. Resistors are in Ohms, 1/4 Watt.
  - ⚠ R16 and 17 values may change due to Q5 beta.
- NOTES (Unless otherwise indicated):



UPDATED 1-11-99  
TO NEW CHASSIS

SHR SOUND CORPORATION  
9130 Glenoaks Blvd.  
Sun Valley, CA 91352  
TEL: (818) 253-4797 FAX: (818) 253-4799  
<http://www.shrsound.com>

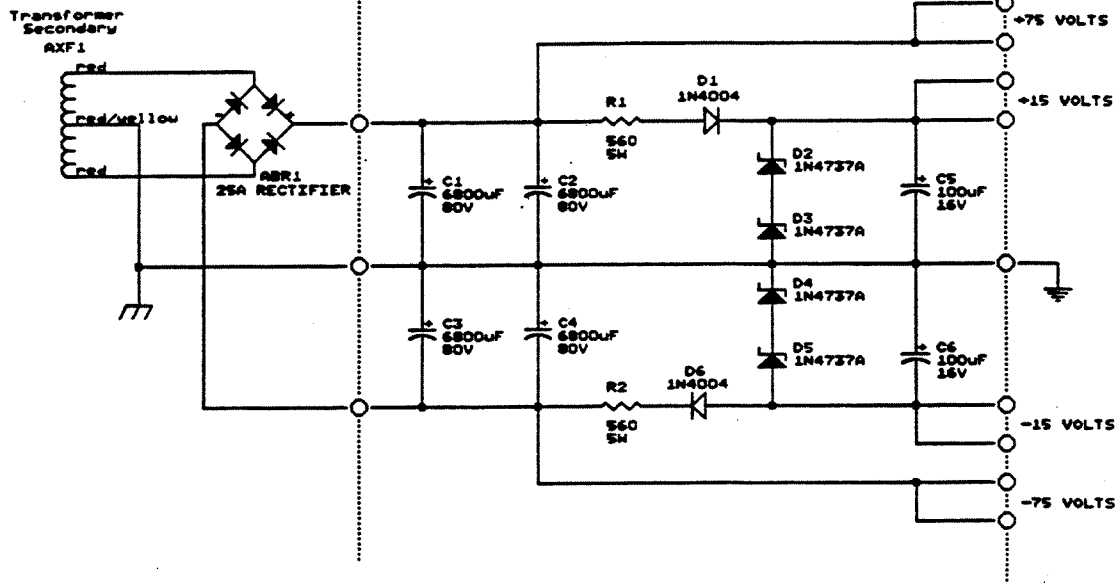
3. Reference designators with an A prefix are part of the chassis sub-assembly.

2. Resistors are in Ohms, 1/4 Watt.

⚠ R16 and 17 values may change due to Q5 beta.

NOTES (Unless otherwise indicated):

Title		RIGHT POWER AMP - ST-800
Size		Document Number
B	700016	REV
Date	June 29, 1999	Sheet 1 of 1



3

<b>SMR SOUND CORPORATION</b> 9130 Glenoaks Blvd. Sun Valley, CA 91352 PHONE: (818) 253-4797 FAX: (818) 253-4799 <a href="http://www.surens.com">http://www.surens.com</a>		
Title <b>Power Supply Filter Board - ST-800</b>		
Size Document Number		
A	700017	REV A
Date: July 2, 1995 Sheet 1 of 1		