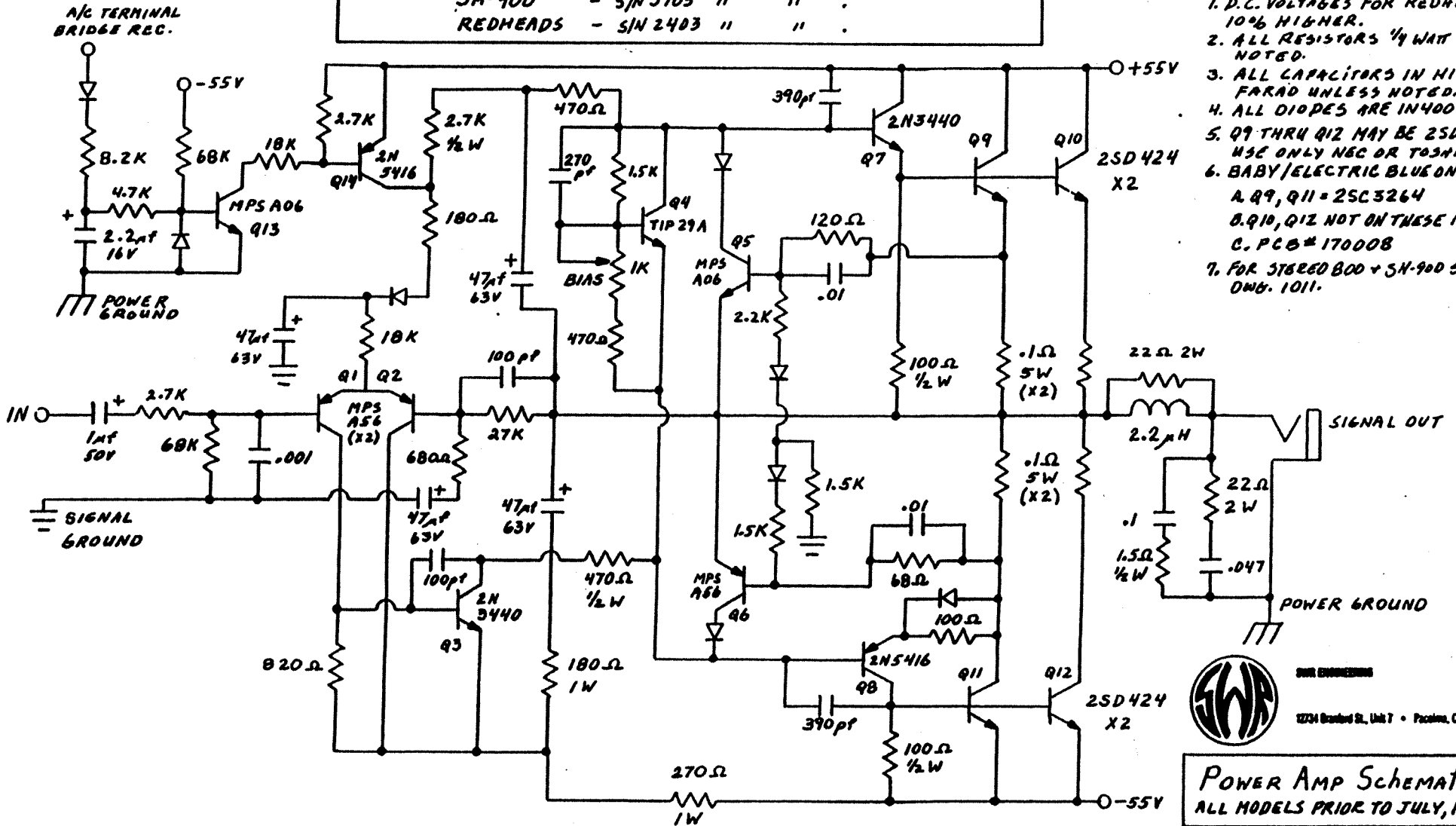


NOTE: FOR FOLLOWING MODELS AND SERIAL #'S, USE DRAWING #1011
 STUDIO 220 - S/N 2539 AND GREATER,
 SM-400 - S/N 5105 " " "
 REDHEADS - S/N 2403 " " "

Notes:

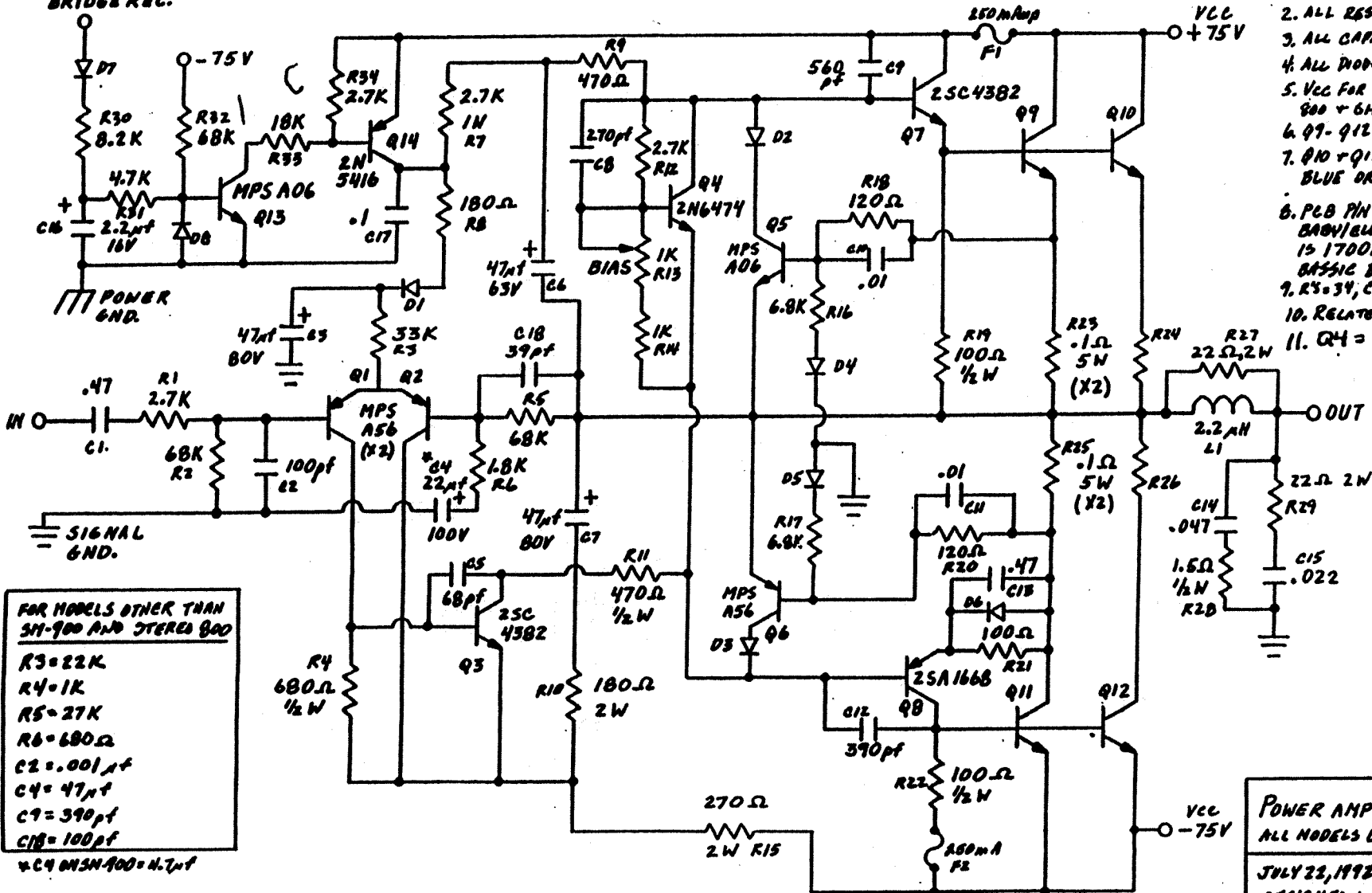
1. D.C. VOLTAGES FOR REDHEAD ARE 10% HIGHER.
2. ALL RESISTORS 1/4 WATT UNLESS NOTED.
3. ALL CAPACITORS IN MICRO-FARAD UNLESS NOTED.
4. ALL DIODES ARE IN4004.
5. Q9 THRU Q12 MAY BE 2SD555. USE ONLY NEC OR TOSHIBA.
6. BABY/ELECTRIC BLUE ONLY:
 A. Q9, Q11 = 2SC3264
 B. Q10, Q12 NOT ON THESE MODELS
 C. PCB # 17000B
7. FOR STEREO 800 + SM-900 SEE DWG. 1011.



S.W. RABE ENGINEERING
 12234 Brandeis St., Unit 7 • Pacoima, CA 91331

POWER AMP SCHEMATIC
 ALL MODELS PRIOR TO JULY, 1992
 JUNE 6, 1984 REV C 2-5-91
 DESIGNED + DRAWN - S.W. RABE
 PCB # 170002A NO. 1003

A/C TERMINAL
BRIDGE REC.



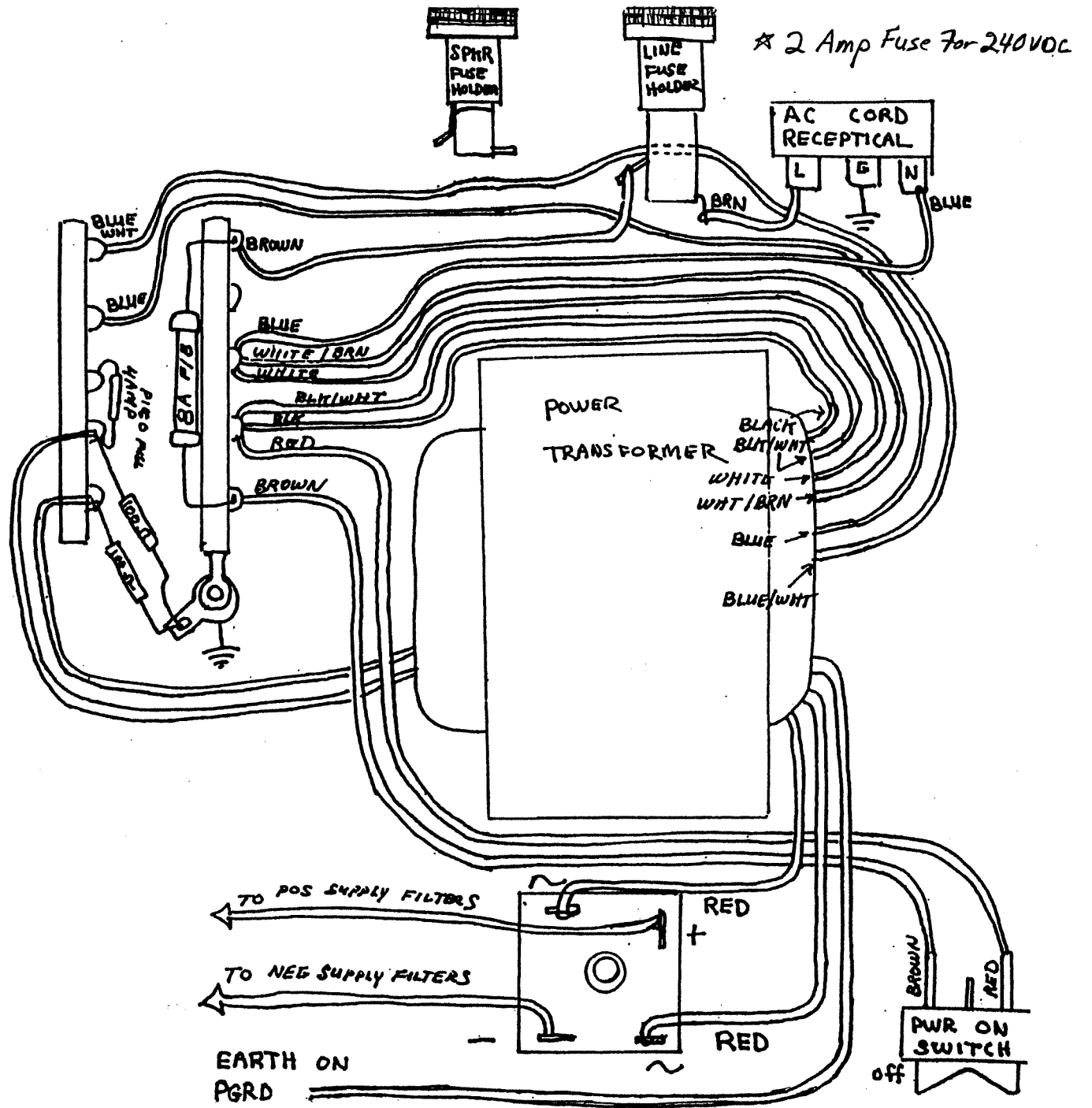
FOR MODELS OTHER THAN
SM-900 AND STEREO 800

R3 = 22K
R4 = 1K
R5 = 27K
R6 = 680Ω
C2 = .001μf
C4 = 47μf
C9 = 390pf
C18 = 100pf
*C4 ON SM-900 = 4.7μf

NOTES: UNLESS OTHERWISE
SPECIFIED.

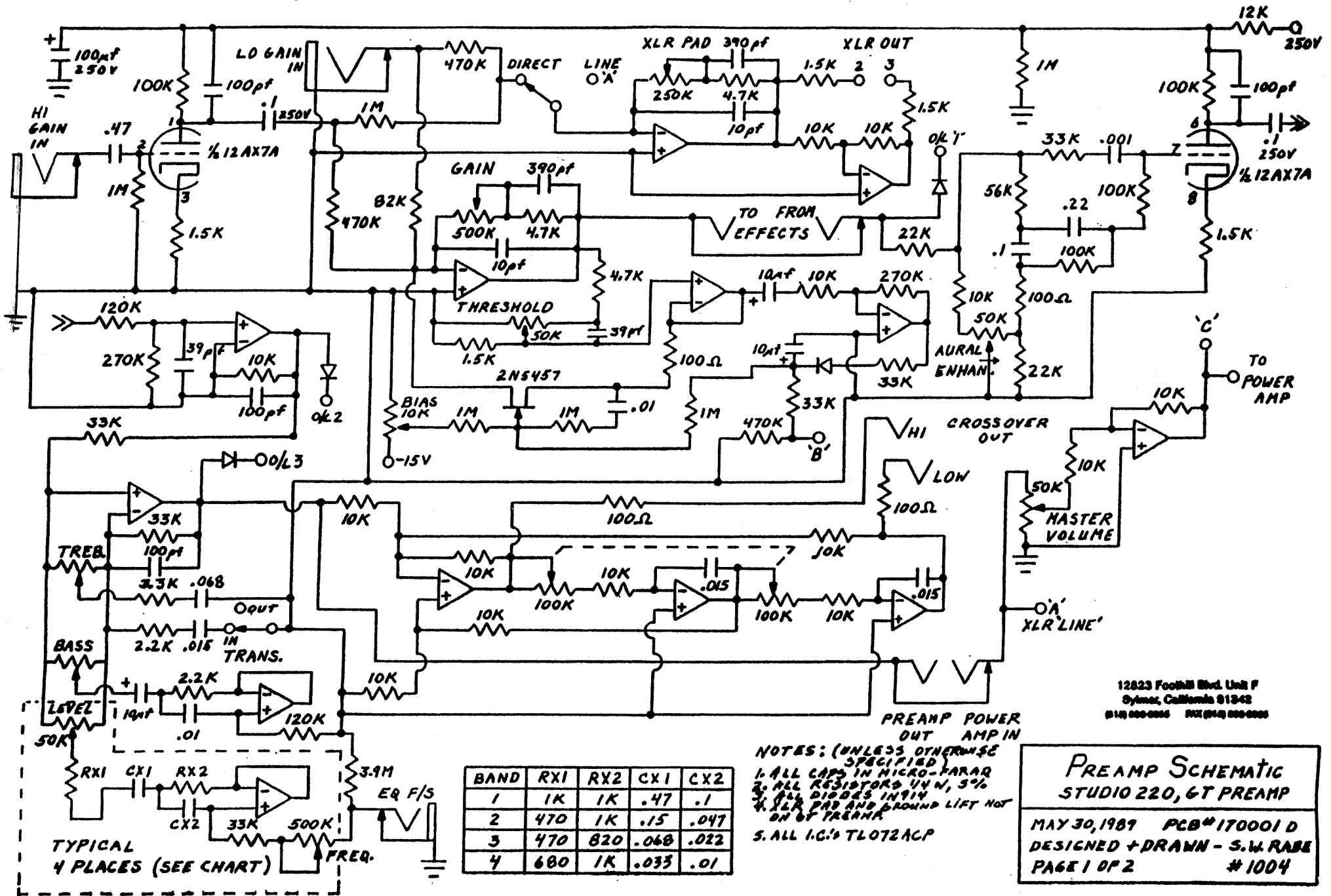
1. SEE TABLE FOR ALTERNATE R + C VALUES FOR OTHER MODELS. VALUES SHOWN ARE FOR STEREO 800, SM-900.
2. ALL RESISTORS IN OHMS, 4W, 5%.
3. ALL CAPACITORS IN MICRO-FARAD.
4. ALL DIODES IN 400V.
5. Vcc FOR MODELS OTHER THAN STEREO 800 + SM-900 = ± 60VDC
6. Q7 - Q12 = 2SC 3264 (BANKEN ONLY)
7. Q10 + Q12 NOT ON BABY/ELECTRIC BLUE OR BASSIC BLACK
8. PCB PIN FOR ALL MODELS EXCEPT BABY/ELECTRIC BLUE + BASSIC BLACK IS 170010. BABY BLUE - 170008. BASSIC BLACK - 170013.
9. R5 = 34, C5 = 18, D5 = 8, Q4 = 14, L1, F1 = 2
10. RELATED DIALS 1002, 1003
11. Q4 = 2SC 3834 after 1/25/98

POWER AMP SCHEMATIC 1011
ALL MODELS BUILT AFTER JUNE, 1992
JULY 23, 1992
DESIGNED + OWN. BY: S.H. RADE
SWR ENG, INC. 818-878-3356



STUDIO 220
 TRANSFORMER WIRING
 FOR 120 VOLT OPERATION

DRAWN BY HC PEREZ
 6-30-93



12823 Foothill Blvd. Unit F
 Sylmar, California 91342
 (818) 800-0885 FAX (818) 800-0885

NOTES: (UNLESS OTHERWISE SPECIFIED)
 1. ALL CAPS IN MICRO-FARAD
 2. ALL RESISTORS UNLESS 5%
 3. ALL DIODES IN 91V
 4. XLR PAD AND GROUND LIFT NOT ON BY DEFAULT
 5. ALL I.C.'s TLOT2ACP

BAND	RX1	RX2	CX1	CX2
1	1K	1K	.47	.1
2	470	1K	.15	.047
3	470	820	.068	.022
4	680	1K	.033	.01

PREAMP SCHEMATIC
STUDIO 220, 6T PREAMP
 MAY 30, 1987 PCB# 170001 D
 DESIGNED + DRAWN - S.W. RABE
 PAGE 1 OF 2 #1004