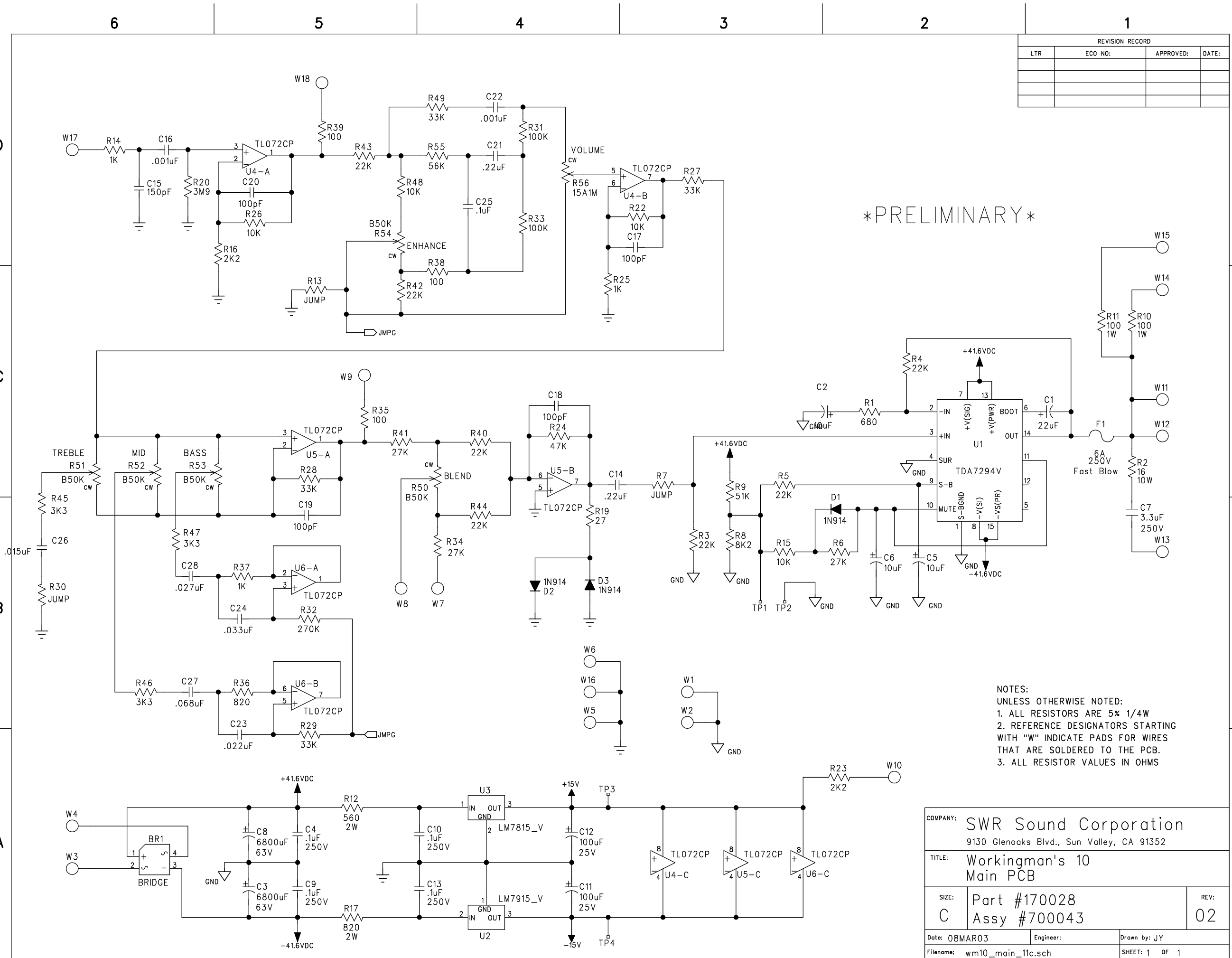


3. Parts with "A" prefix are part of the Chassis Assembly.
2. All resistors are in Ohms, 1/4 Watt.
1. Power to all TL072s is +15 Volts to pin 8 and -15 Volts to pin 4.
- NOTES (Unless otherwise stated):

SHR SOUND CORPORATION		
9130 Glenoaks Blvd.		
Sun Valley, CA 91352		
PHONE: (818) 253-4797 FAX: (818) 253-4799		
http://www.shrsound.com		
Title WORKINGMAN'S 10		
Size	Document Number	REV
B	700043	D
Date:	June 22, 1999	Sheet 1 of 1

REVISION RECORD			
LTR	ECO NO:	APPROVED:	DATE:



PRELIMINARY

- NOTES:
 UNLESS OTHERWISE NOTED:
 1. ALL RESISTORS ARE 5% 1/4W
 2. REFERENCE DESIGNATORS STARTING WITH "W" INDICATE PADS FOR WIRES THAT ARE SOLDERED TO THE PCB.
 3. ALL RESISTOR VALUES IN OHMS

COMPANY: SWR Sound Corporation 9130 Glenoaks Blvd., Sun Valley, CA 91352		REV: 02
TITLE: Workingman's 10 Main PCB		
SIZE: Part #170028	Assy #700043	
Date: 08MAR03	Engineer:	Drawn by: JY
Filename: wm10_main_11c.sch	SHEET: 1 OF 1	