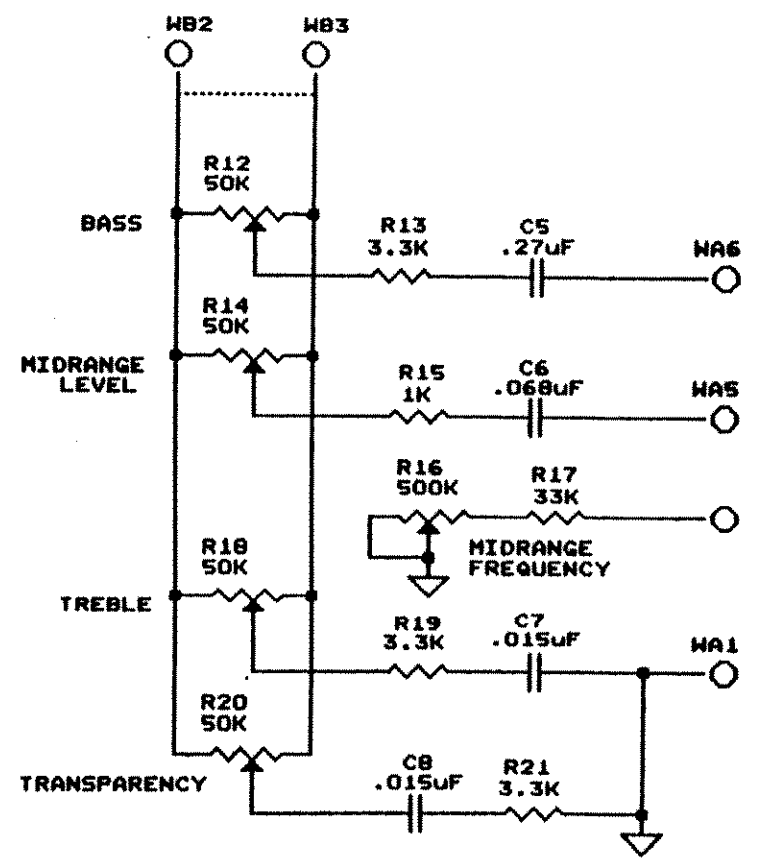
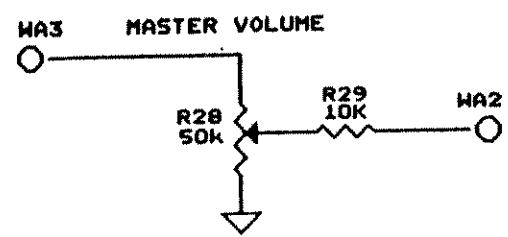
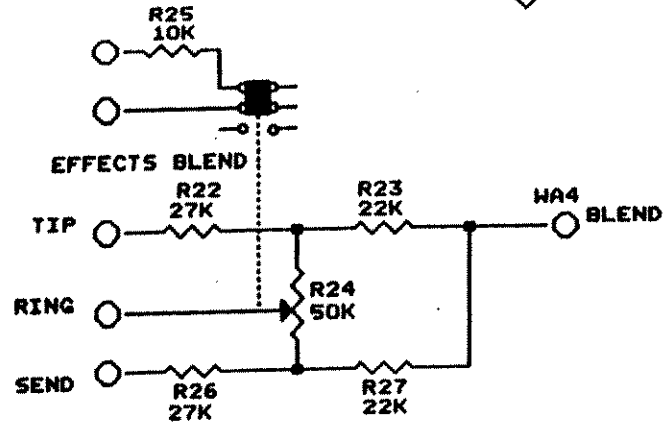
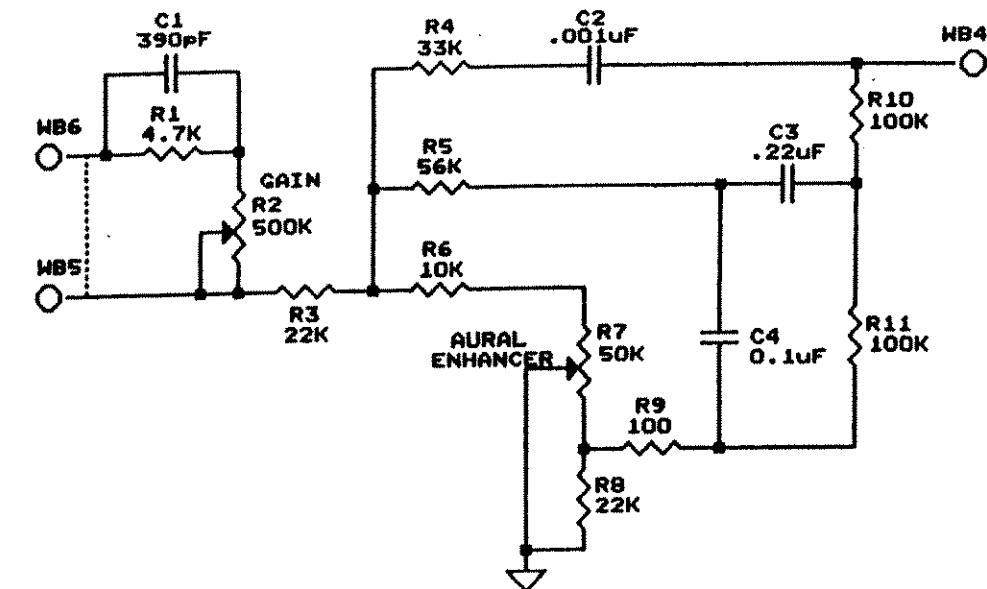


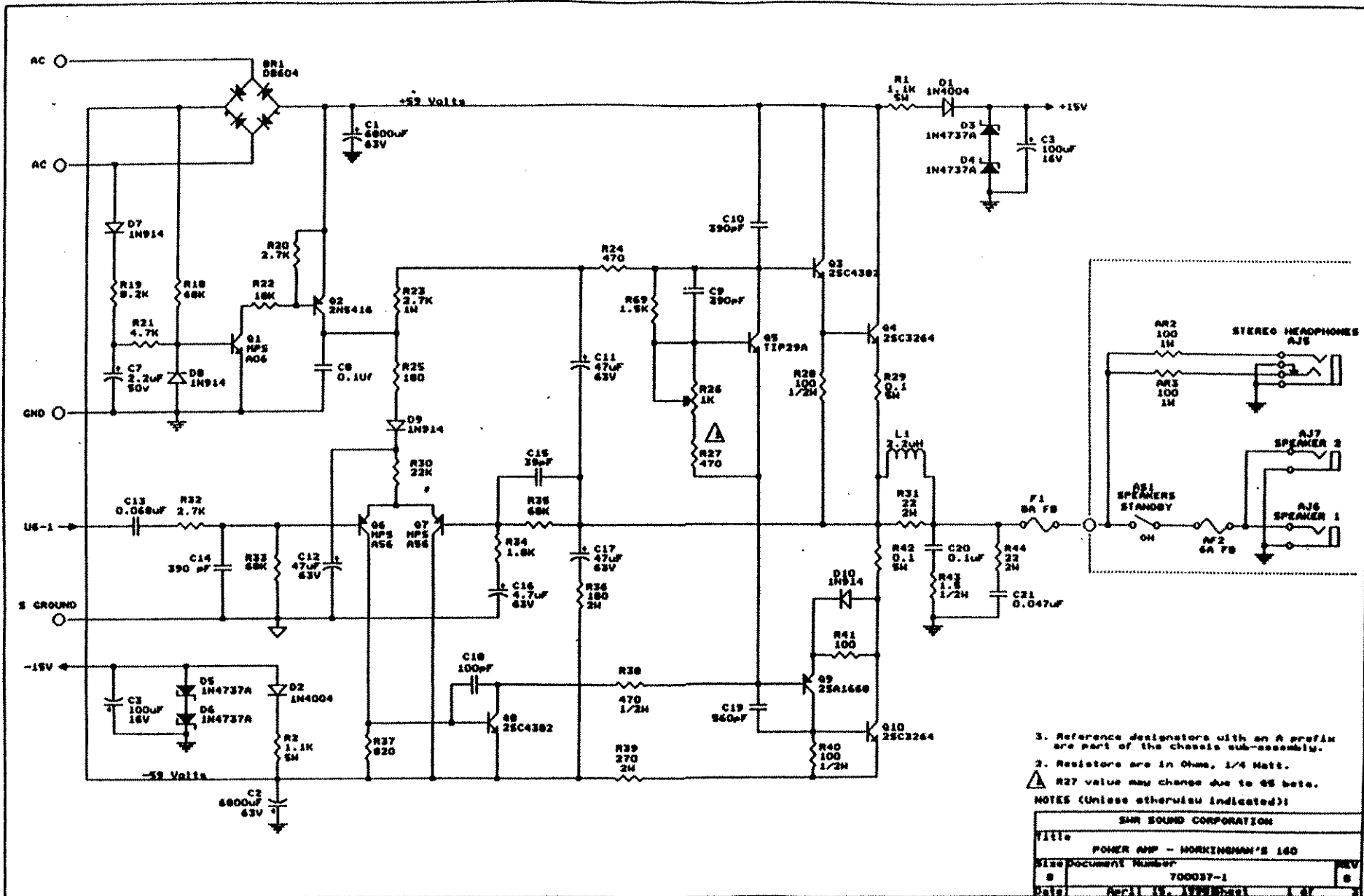
3. Reference designators with an A prefix are part of the chassis sub-assembly.
 2. All TL072s have +5V to pin 6, and -5V to pin 4.
 1. All resistors are Ohms, 1/4 Watt
- NOTE (Unless otherwise indicated):**

SMR SOUND CORPORATION	
Title WORKINGMAN'S 100 PREAMP & AURAL ENHANCER	
Size Document Number	
# 700037-2	REV B
Date: April 14, 1978 Sheet 2 of 2	



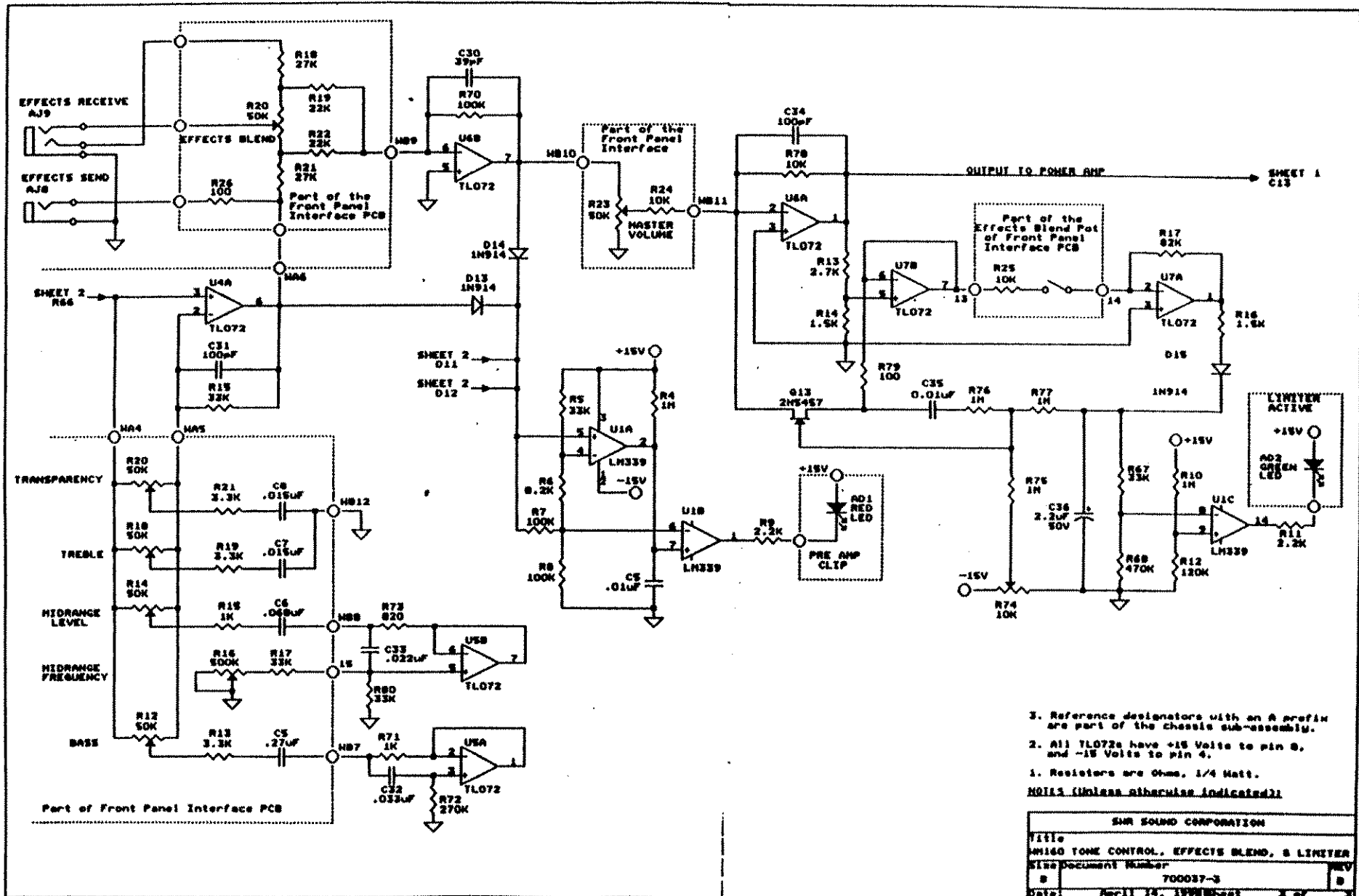
1. All resistors are Ohms, 1/4 Watt.
 NOTES (Unless otherwise indicated):

SWR SOUND CORPORATION		
Title		
NM 15/160 FRONT PANEL INTERFACE BOARD		
Size Document Number		
A	700034	REV A
Date:	April 15, 1998	Sheet 1 of 1



- 3. Reference designators with an A prefix are part of the chassis sub-assembly.
 - 2. Resistors are in Ohms, 1/4 Watt.
 - ▲ R27 value may change due to Q5 beta.
- NOTES (Unless otherwise indicated):

SUN SOUND CORPORATION			
Title POWER AMP - WORKINGMAN'S 160			
Size Document Number 700037-1			
REV	8	700037-1	8
Date	April 14, 1978	1 of 1	



- 3. Reference designators with an A prefix are part of the chassis sub-assembly.
 - 2. All TL072s have +15 Volts to pin 8, and -15 Volts to pin 4.
 - 1. Resistors are Ohms, 1/4 Watt.
- NOIS (Unless otherwise indicated)**

SIR SOUND CORPORATION	
Title: WIDE TONE CONTROL, EFFECTS BLEND, & LIMITER	
Sine Document Number: 700037-3	
Rev: 1	REV B
Date: April 15, 1978	