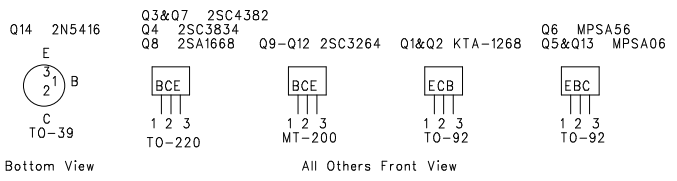
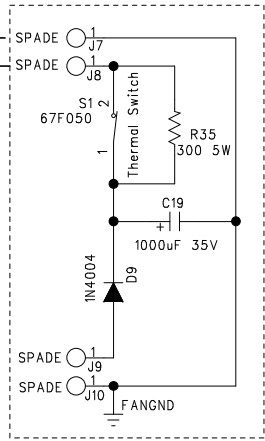


- NOTES (Unless otherwise specified):
1. Values shown are for all models.
 2. All resistor in ohms, 1/4 watt, 5%
 3. PCB part # for all units is 170010D
Module is 700039
 4. VDC will vary by model - See table below.

Fan (Connects to front [Left] module)

For "Mo' Bass" fan circuit, please see separate schematic.

NOTE: While on the same PCB, this circuit is not electrically common to the audio circuit.



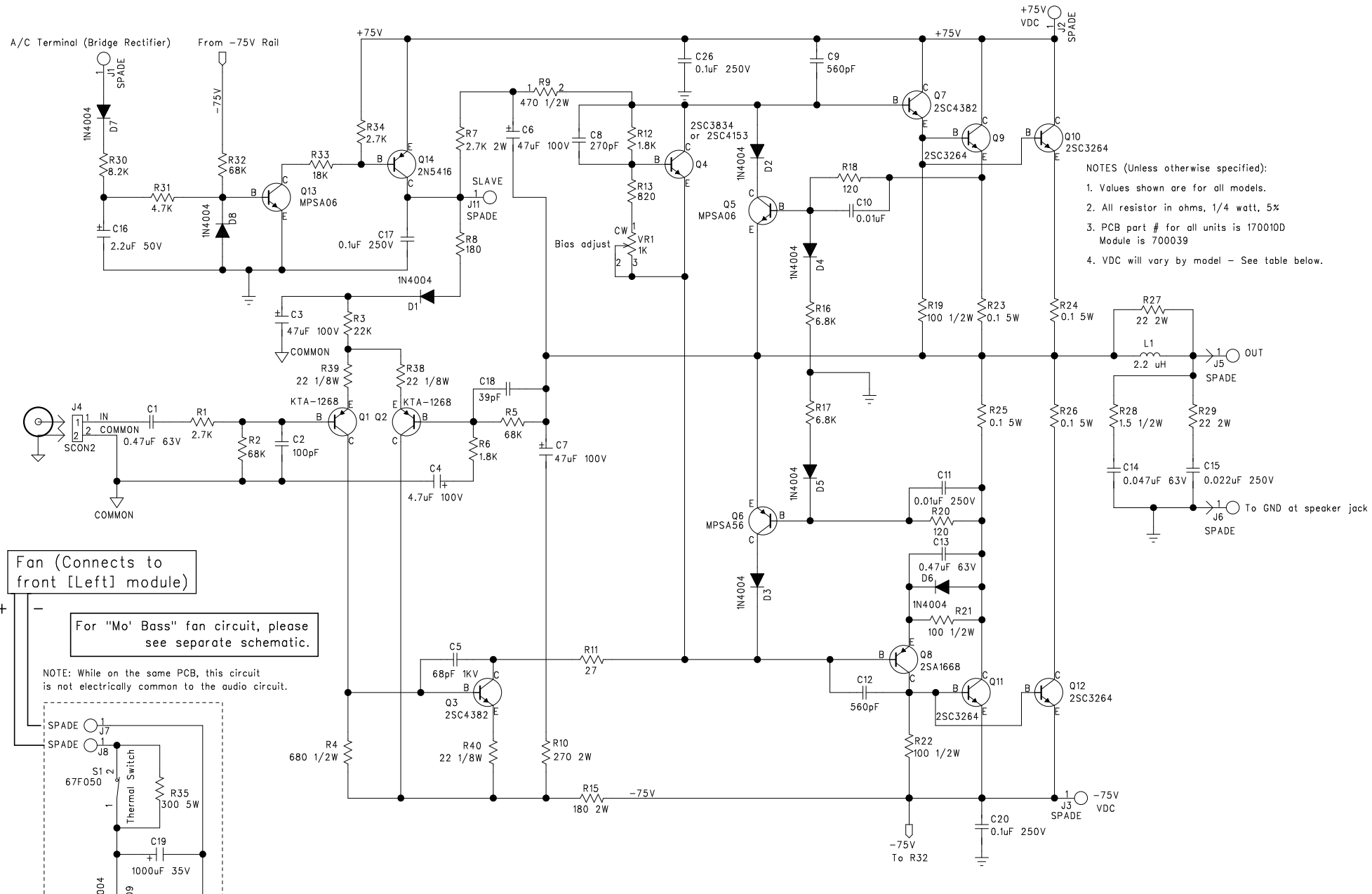
VDC Table

Model	+ VDC	- VDC
SM-900	78	78
Mo' Bass	59	59
SM-500	77	77
Bass 350/350x Super Redhead Silverado Black Beauty	79	79
WM4004	79	79

SWR Sound Corp.

SWR2000 - Power Amp Module

May 2000 Revision D Page 1 of 1

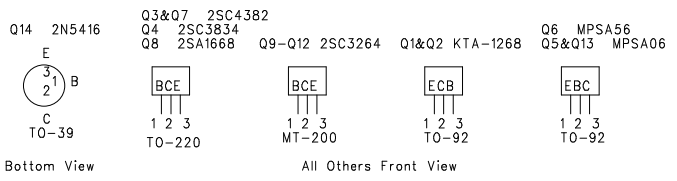
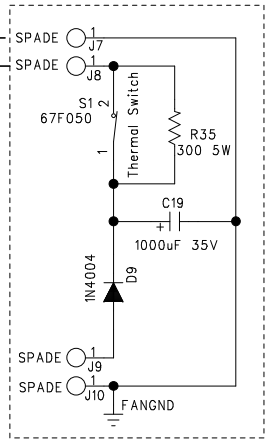


- NOTES (Unless otherwise specified):
1. Values shown are for all models.
 2. All resistor in ohms, 1/4 watt, 5%
 3. PCB part # for all units is 170010D
Module is 700039
 4. VDC will vary by model - See table below.

Fan (Connects to front [Left] module)

For "Mo' Bass" fan circuit, please see separate schematic.

NOTE: While on the same PCB, this circuit is not electrically common to the audio circuit.



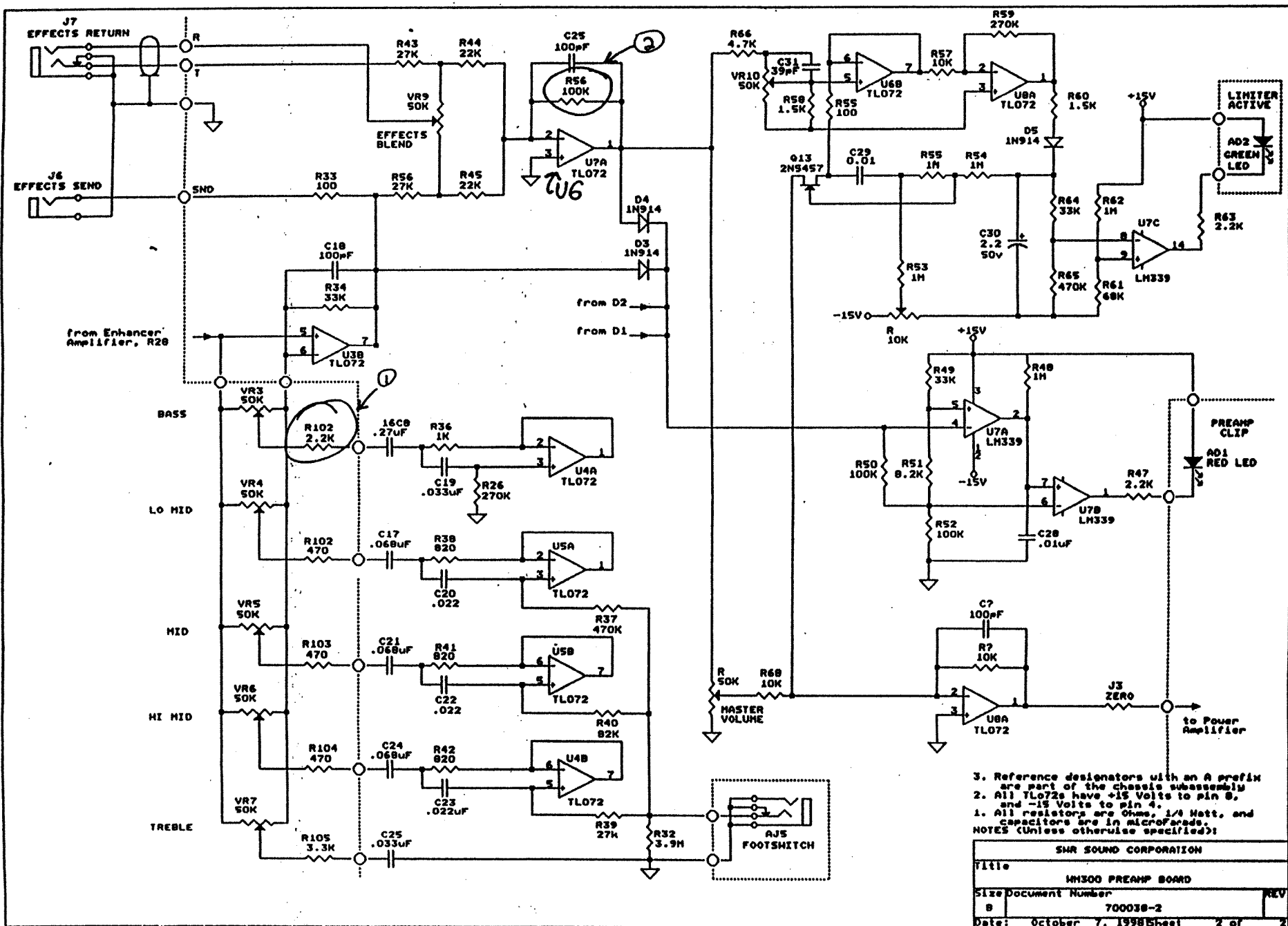
VDC Table

Model	+ VDC	- VDC
SM-900	78	78
Mo' Bass	59	59
SM-500	77	77
Bass 350/350x Super Redhead Silverado Black Beauty	79	79
WM4004	79	79

SWR Sound Corp.

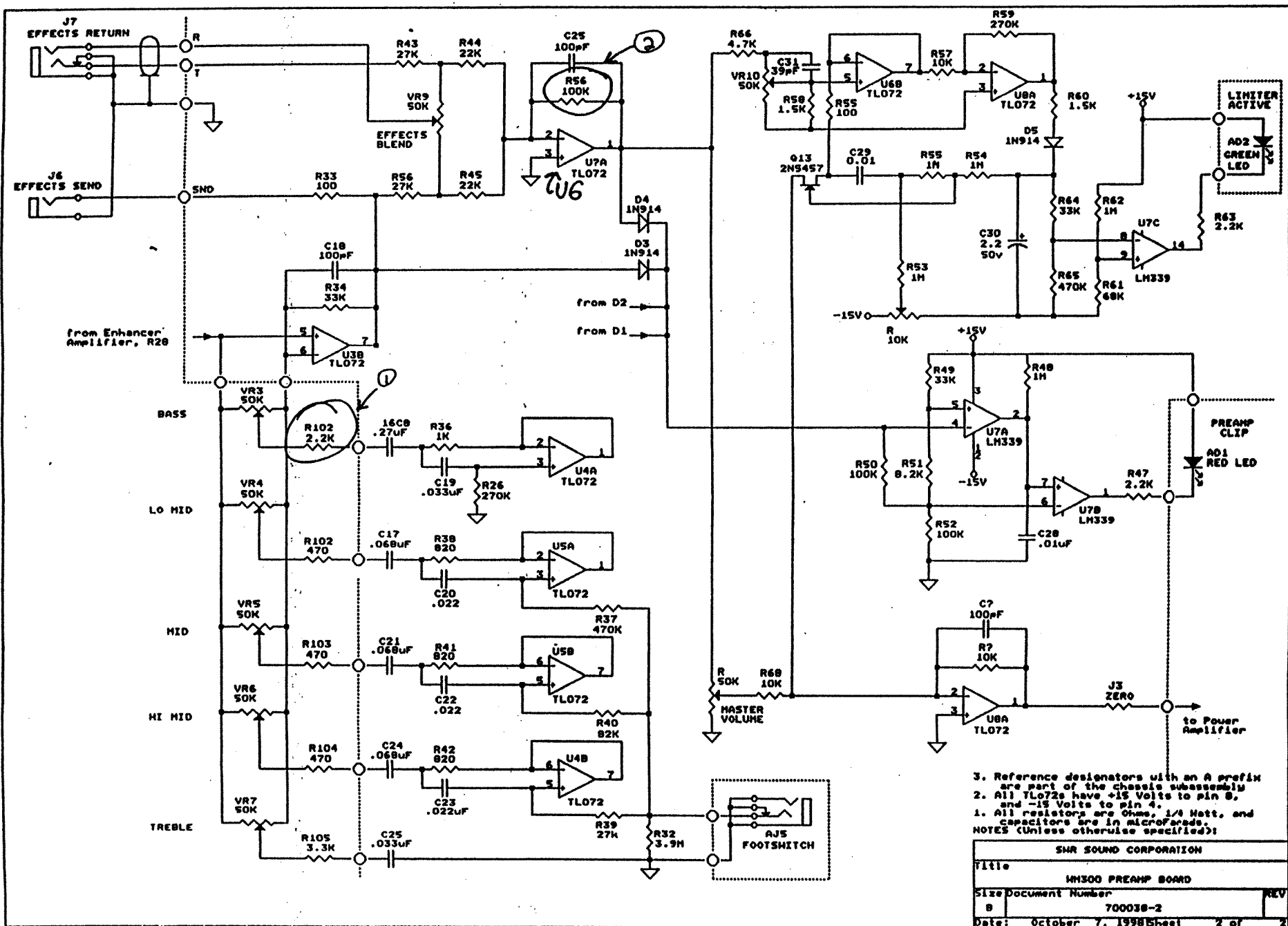
SWR2000 - Power Amp Module

May 2000 Revision D Page 1 of 1



- 3. Reference designators with an A prefix are part of the chassis subassembly
 - 2. All TL072s have +15 Volts to pin 8, and -15 Volts to pin 4.
 - 1. All resistors are Ohms, 1/4 Watt, and capacitors are in microFarads.
- NOTES (Unless otherwise specified):

SMR SOUND CORPORATION	
Title	
IM300 PREAMP BOARD	
Size Document Number	REV
B	700018-2
Date: October 7, 1998	Sheet 2 of 2



- 3. Reference designators with an A prefix are part of the chassis subassembly
 - 2. All TL072s have +15 Volts to pin 8, and -15 Volts to pin 4.
 - 1. All resistors are Ohms, 1/4 Watt, and capacitors are in microFarads.
- NOTES (Unless otherwise specified):

SMR SOUND CORPORATION	
Title	
IM300 PREAMP BOARD	
Size Document Number	REV
B	700018-2
Date: October 7, 1998	Sheet 2 of 2