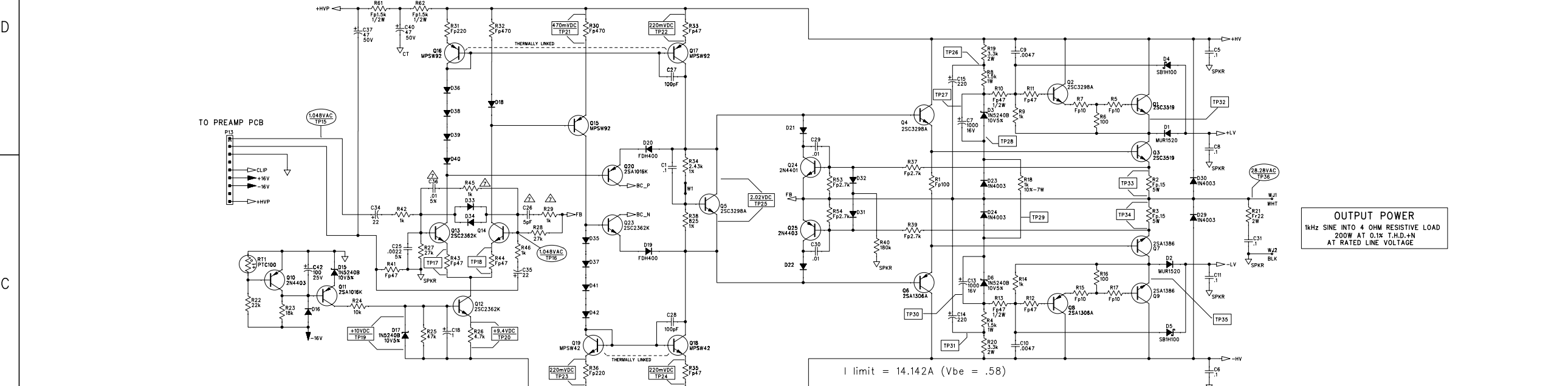
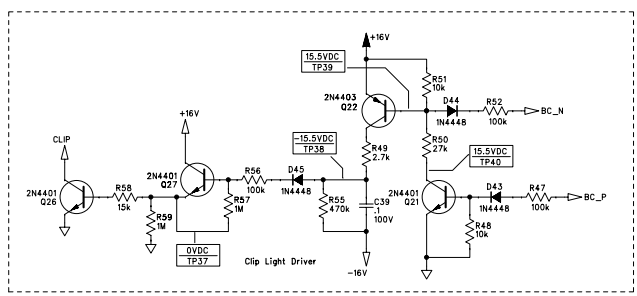
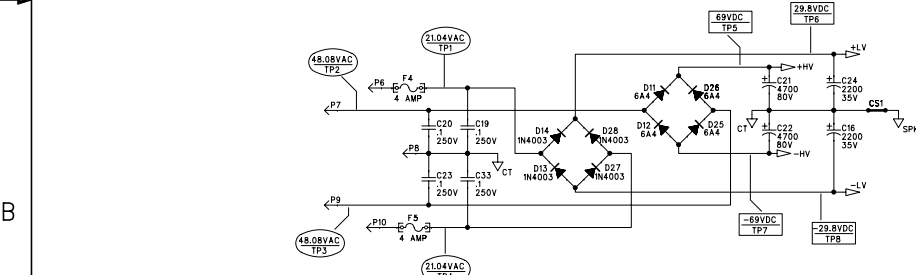


REVISIONS			
REV.	DESCRIPTION	DATE	APPROVED
A	PR 628	20-SEP-04	JCS
B	EC 3192	04-FEB-05	JCS



OUTPUT POWER
1kHz SINE INTO 4 OHM RESISTIVE LOAD
200W AT 0.1% T.H.D.+N
AT RATED LINE VOLTAGE

I limit = 14.142A (Vbe = .58)

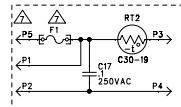
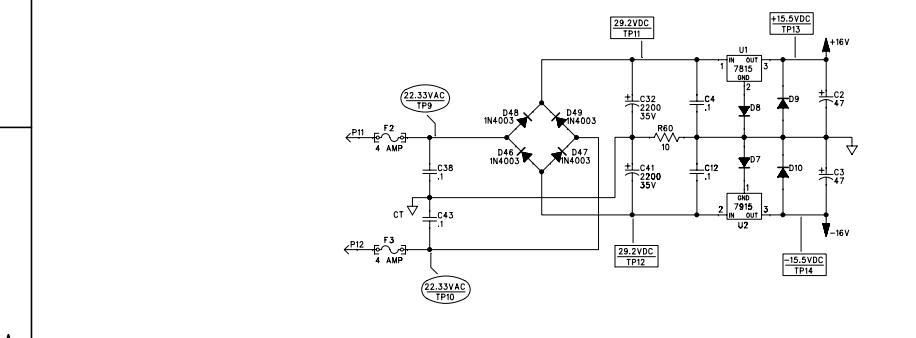


TEST POINTS

TP17	+4.7mVDC
TP18	+4.7mVDC
TP26	+40.35VDC
TP27	+27.8VDC
TP28	+17.78VDC
TP29	-17.78VDC
TP30	-27.8VDC
TP31	-40.35VDC
TP32	+29.46VDC **
TP33	+4.5mVDC
TP34	+4.5mVDC
TP35	-29.46VDC **

** TP32 OSCILLOSCOPE WAVEFORM

** TP35 OSCILLOSCOPE WAVEFORM

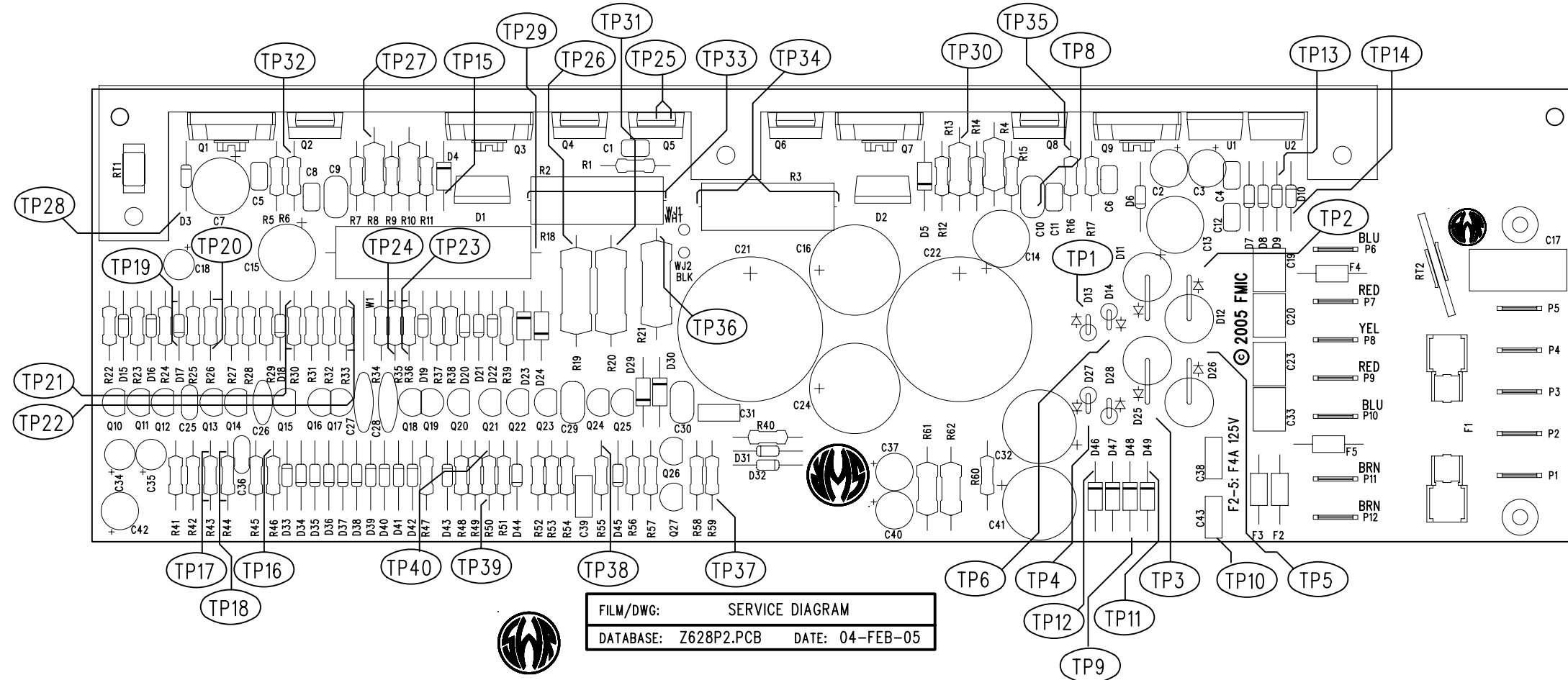


- AC VOLTAGES READ TO GROUND WITH A DVM UNDER THE FOLLOWING CONDITIONS:
UNIT AT RATED LINE VOLTAGE
4 OHM RESISTIVE LOAD CONNECTED AT SPEAKER OUTPUT
1kHz SINE WAVE INPUT TO FX RETURN JACK
NO INPUT SIGNAL
 - DC VOLTAGES READ TO GROUND WITH A DVM.
 - DO NOT STUFF P5, F1, C26, C36, R29 AND R45
 - LAST REFERENCE DESIGNATORS USED: C43, D49, F3, P13, Q27, R62, R15, TP40, U2
 - THIS SCHEMATIC IS FOR PCB FABRICATION P/N 0065465000 AND PCB ASSEMBLY P/N 0065466000 (PWR AMP).
 - ALL DIODES ARE 1N4448.
 - ALL POLARIZED CAPACITORS IN uF, 20%; 25V MINIMUM.
 - ALL UNPOLARIZED CAPACITORS IN uF, 10% OR BETTER; 50V MINIMUM. (POWER SUPPLY BYPASS CAPACITORS ARE 20%).
 - ALL RESISTORS IN OHMS, 5%; 1/4W.
- NOTES: (UNLESS OTHERWISE NOTED)

THIS DOCUMENT CONTAINS INFORMATION OF A PROPRIETARY NATURE TO FENDER MUSICAL INSTRUMENTS AND IS SUBMITTED TO YOU IN CONFIDENCE AND SHALL NOT BE DISCLOSED OR TRANSMITTED TO OTHERS WITHOUT AUTHORIZATION FROM FENDER MUSICAL INSTRUMENTS.		Corona, CA U.S.A.
CHECKED BY:	TITLE: SERVICE DIAGRAM, COMBINED (schematic)	
DATE:	SWR 200 WATT POWER AMP	
APPROVED BY:	SIZE	DRAWING NUMBER
DATE:	D	0065467000
DRAWN: B. HUGHES ENGR: STILLWELL	REV.	B
DATABASE FILE: Z62852.SCH	RELEASE DATE: 20-SEP-04	SHEET: 1 OF 2


REVISIONS

REV.	DESCRIPTION	DATE	APPROVED
A	PR628	20-SEP-04	J C S
B	EC 3192	04-FEB-05	J C S

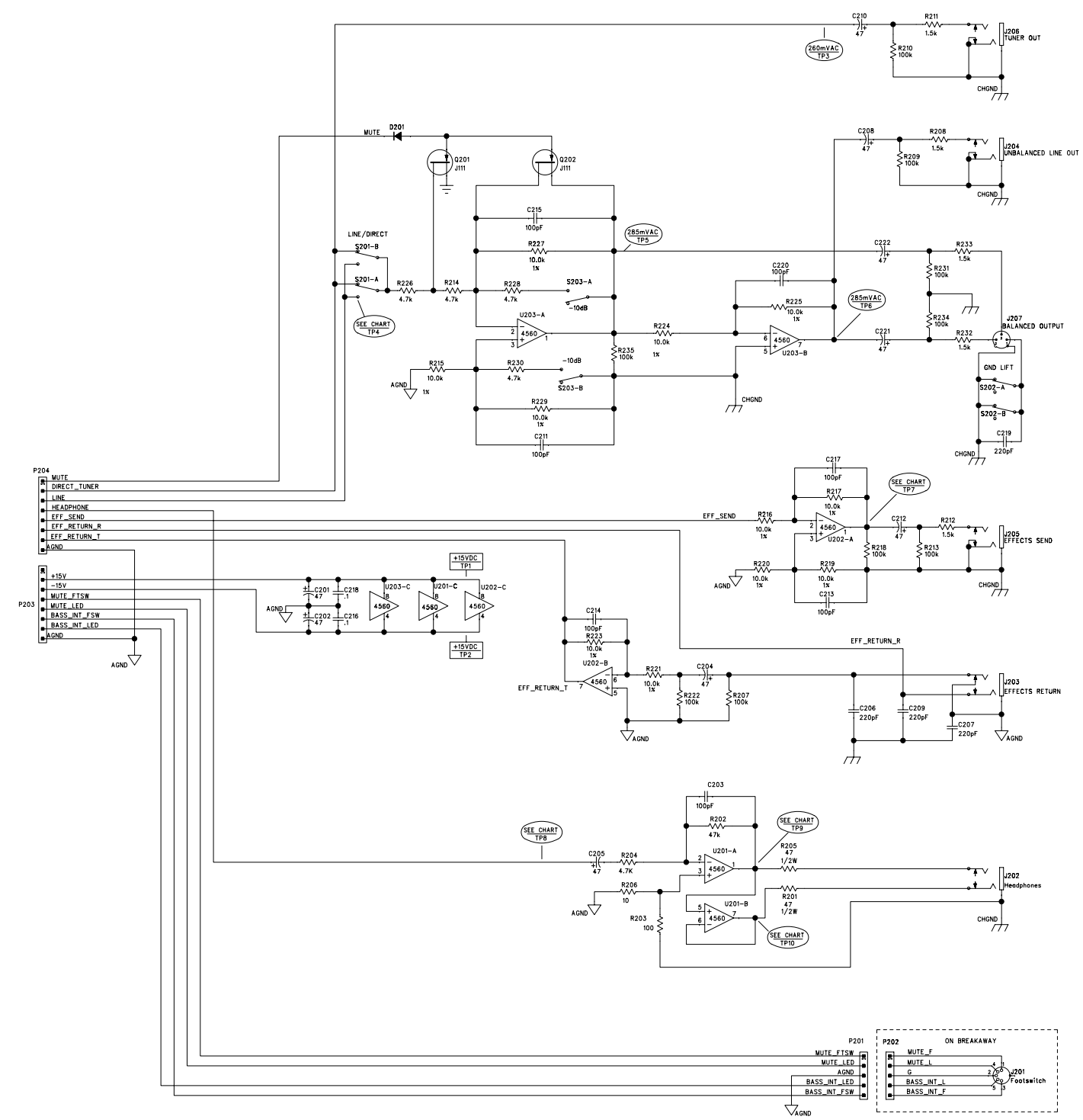


FILM/DWG: SERVICE DIAGRAM
 DATABASE: Z628P2.PCB DATE: 04-FEB-05

1. SEE SHEET 1 FOR TEST CONDITIONS AND TP VALUES.
 NOTES: (UNLESS OTHERWISE NOTED)

THIS DOCUMENT CONTAINS INFORMATION OF A PROPRIETARY NATURE TO FENDER MUSICAL INSTRUMENTS AND IS SUBMITTED TO YOU IN CONFIDENCE AND SHALL NOT BE DISCLOSED OR TRANSMITTED TO OTHERS WITHOUT AUTHORIZATION FROM FENDER MUSICAL INSTRUMENTS.		 Corona, CA U.S.A.	
CHECKED BY: _____ DATE: _____		TITLE: SERVICE DIAGRAM, COMBINED (PCB assy) SWR 200 WATT POWER AMP	
APPROVED BY: _____ DATE: _____		SIZE B	DRAWING NUMBER 0065467000
DRAWN: J. STILLWELL ENGR: J. STILLWELL		REV. B	RELEASE DATE: 20-SEP-04
DATABASE FILE: Z628P2.PCB		SHEET 2 OF 2	SHEET 2 OF 2

REVISIONS			
REV.	DESCRIPTION	DATE	APPROVED
A	PR673	15 SEP 05	S.M.B.



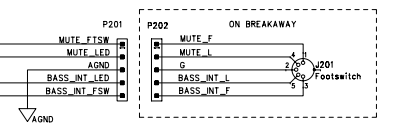
P204

MUTE
DIRECT_TUNER
LINE
HEADPHONE
EFF_SEND
EFF_RETURN_R
EFF_RETURN_T
AGND

P203

+15V
-15V
MUTE_FSW
MUTE_LED
BASS_INT_FSW
BASS_INT_LED
AGND

TP#	WP10	ALL OTHER WORKINGPRO MODELS
4	140mVAC	180mVAC
7	135mVAC	180mVAC
8	140mVAC	40mVAC
9	1.3VAC	375mVAC
10	1.3VAC	375mVAC



- AC AND DC VOLTAGES READ TO GROUND WITH A DVM UNDER THE FOLLOWING CONDITIONS (VOLTAGES MAY VARY +/-20%):
 - PCB INSTALLED IN AMPLIFIER & CONNECTED TO PREAMP PCB AT P203-204
 - ALL CONTROLS AT 50%. ALL SWITCHES "OUT" OR "OFF"
 - (SEE PREAMP SERVICE DIAGRAM FOR SPECIFIC TEST CONDITIONS)
 - APPLY 50mV 100Hz SINEWAVE AT INSTRUMENT INPUT
 - TEST POINT MEASUREMENTS MAY VARY DEPENDING ON PRODUCT. SEE CHART FOR PRODUCT SPECIFIC TEST POINT MEASUREMENTS
 - THIS SCHEMATIC IS FOR PCB ASSY P/N 0064749000 AND PCB FAB P/N 0064749000
 - ALL DIODES ARE 1N4448
 - ALL UNPOLARIZED CAPACITORS IN uF, 10% OR BETTER, 50V MINIMUM
 - ALL RESISTORS ARE 1/4 WATT 5%
- NOTES: (UNLESS OTHERWISE NOTED)

THIS DOCUMENT CONTAINS INFORMATION OF A PROPRIETARY NATURE TO FENDER MUSICAL INSTRUMENTS AND IS SUBMITTED TO YOU IN CONFIDENCE AND SHALL NOT BE DISCLOSED OR TRANSMITTED TO OTHERS WITHOUT AUTHORIZATION FROM FENDER MUSICAL INSTRUMENTS.

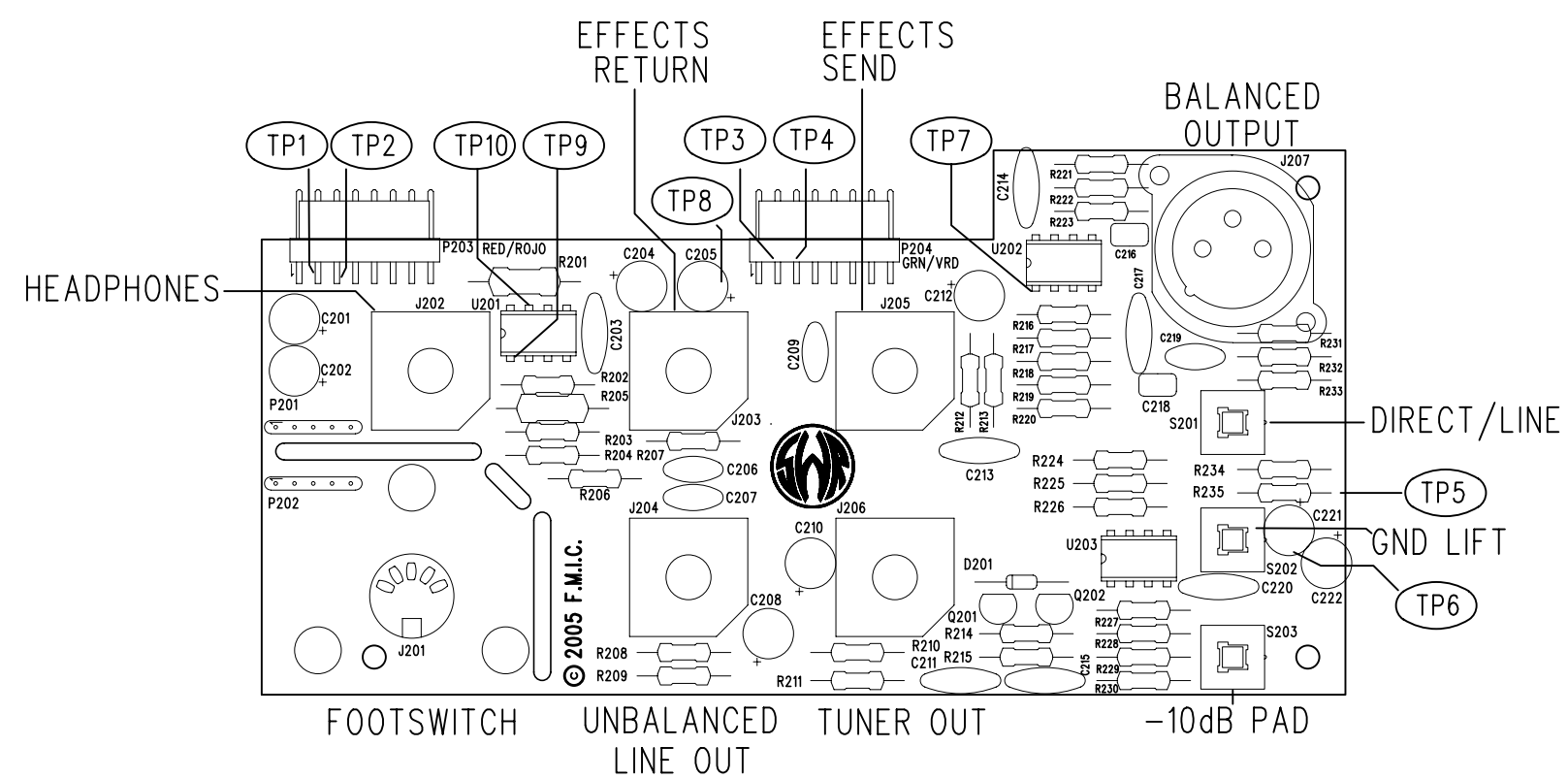
SWR
Corona, CA U.S.A.

CHECKED BY: _____
 DATE: _____
 APPROVED BY: _____
 DATE: _____
 DRAWN: G.McMillan ENGR: S.Banthead
 DATABASE FILE: Z63252.SCH

TITLE: SERVICE DIAGRAM, (schematic)
 WORKINGPRO AMPLIFIERS
 AUDIO I/O PCB


SIZE: DRAWING NUMBER: **D 0069470000** REV. **A**
 RELEASE DATE: 15-SEP-05 SHEET: 1 OF 2

REVISIONS			
REV.	DESCRIPTION	DATE	APPROVED
A	PR673	15-SEP-05	S.M.B.

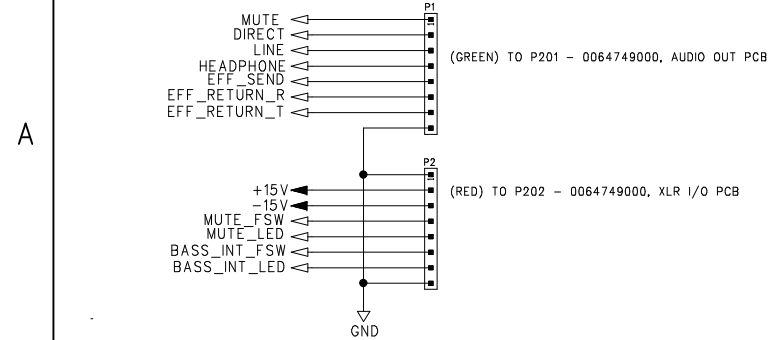
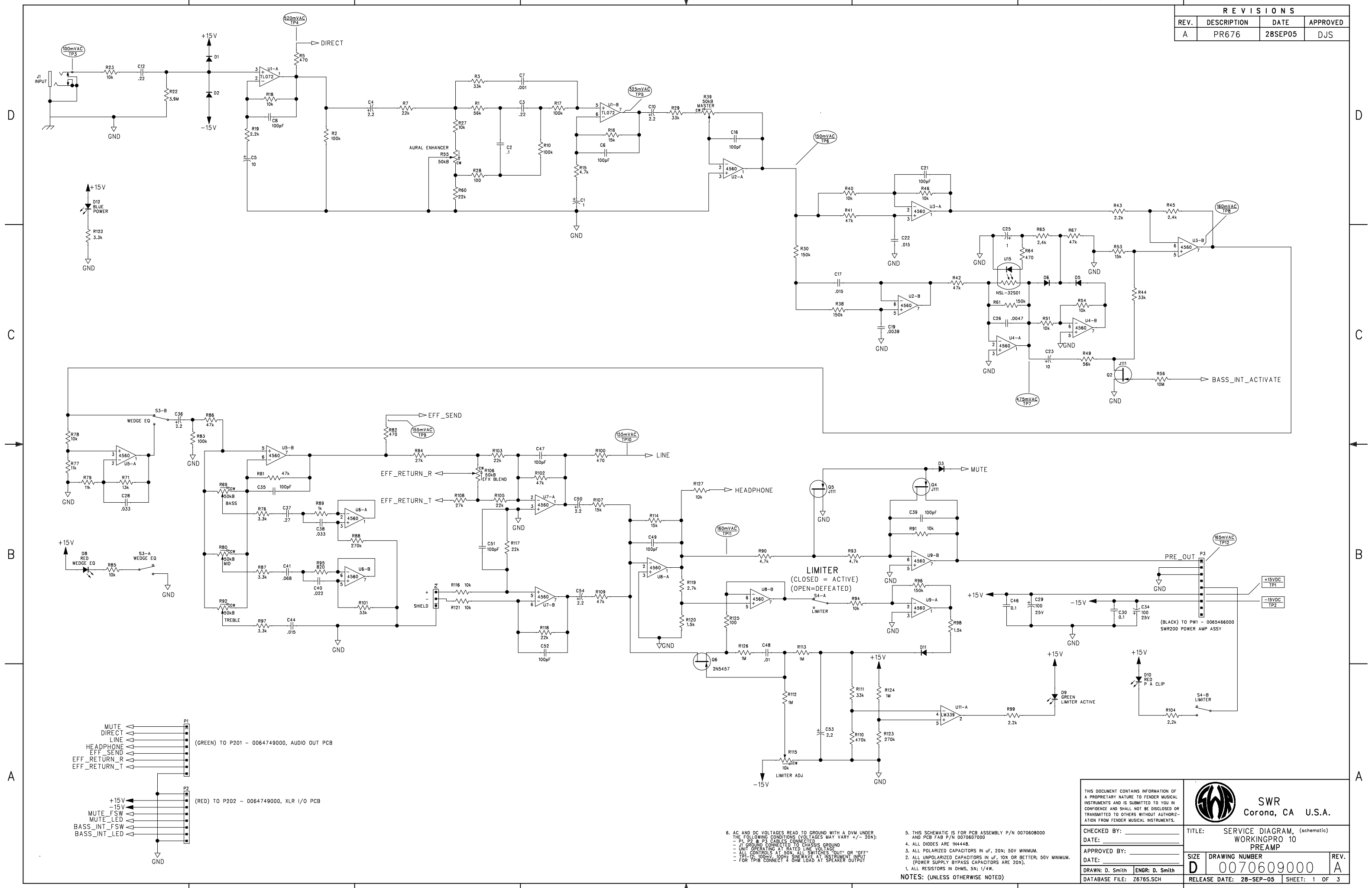


FILM/DWG: SERVICE DIAGRAM
 DATABASE: Z632P2.PCB DATE: 15-SEP-05

1. SEE SHEET 1 FOR TEST CONDITIONS & TEST POINT VALUES
 NOTES: (UNLESS OTHERWISE SPECIFIED)

THIS DOCUMENT CONTAINS INFORMATION OF A PROPRIETARY NATURE TO FENDER MUSICAL INSTRUMENTS AND IS SUBMITTED TO YOU IN CONFIDENCE AND SHALL NOT BE DISCLOSED OR TRANSMITTED TO OTHERS WITHOUT AUTHORIZATION FROM FENDER MUSICAL INSTRUMENTS.		 SWR Corona, CA U.S.A.	
CHECKED BY: _____ DATE: _____		TITLE: SERVICE DIAGRAM, COMBINED (PCB assy) WorkingPro AMPLIFIERS AUDIO I/O PCB	
APPROVED BY: _____ DATE: _____		SIZE B	DRAWING NUMBER 0069470000
DRAWN: G.McMillan ENGR: S.Bankhead	DATABASE FILE: Z632P2.PCB	RELEASE DATE: 15-SEP-05	REV. A SHEET 2 OF 2

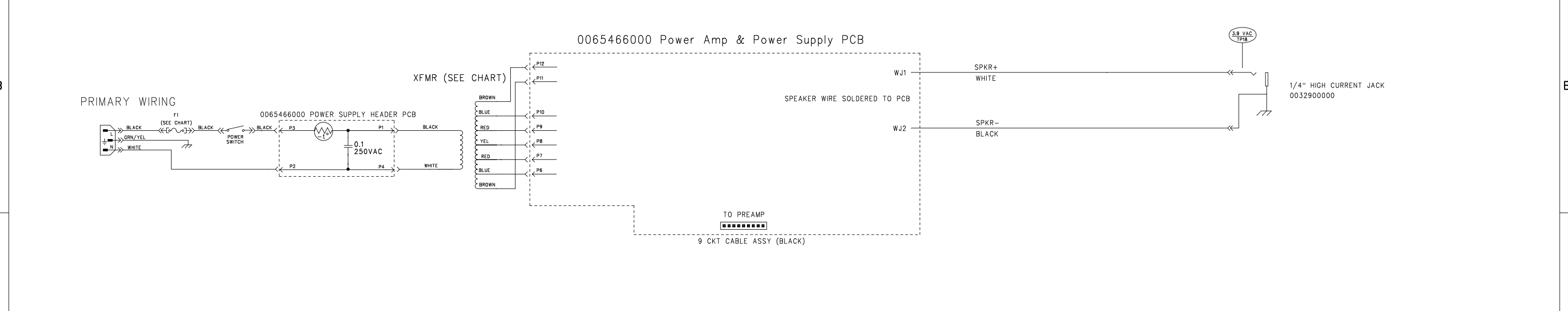
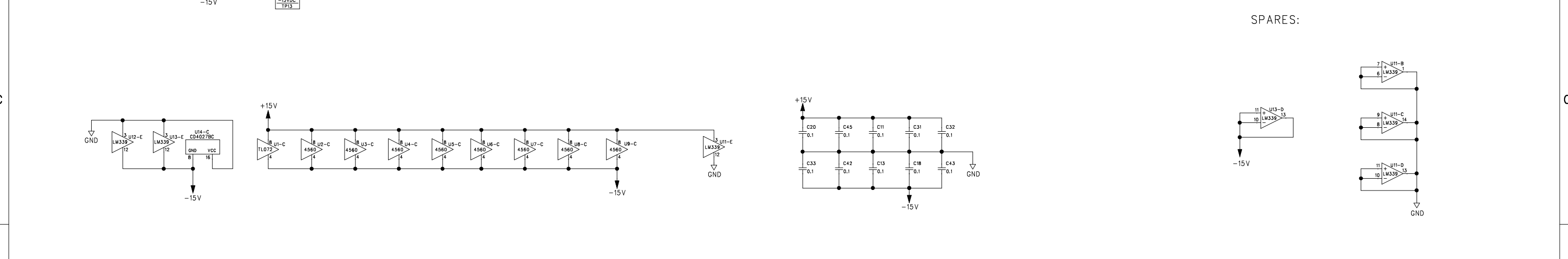
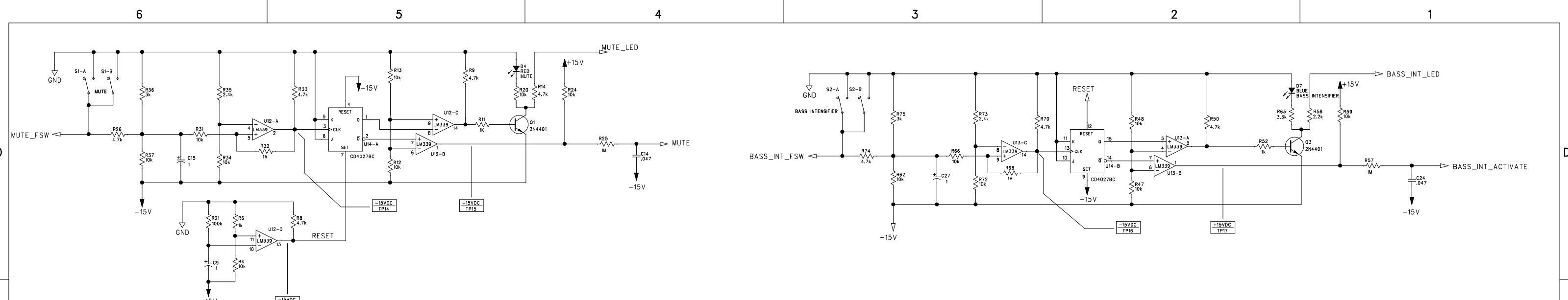
REVISIONS			
REV.	DESCRIPTION	DATE	APPROVED
A	PR676	28SEP05	DJS



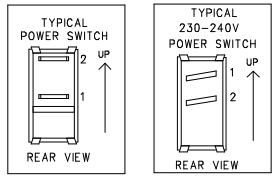
6. AC AND DC VOLTAGES READ TO GROUND WITH A DVM UNDER THE FOLLOWING CONDITIONS (VOLTAGES MAY VARY +/- 20%):
- P1, P2 & P3 CABLES CONNECTED.
 - J1 GROUND CONNECTED TO CHASSIS GROUND.
 - UNIT OPERATING AT RATED LINE VOLTAGE.
 - ALL CONTROLS AT 50% ALL SWITCHES "ON" OR "OFF"
 - TP1-TP2 100mV, 100Hz SINEWAVE AT INSTRUMENT INPUT.
 - FOR TP1B CONNECT 4 OHM LOAD AT SPEAKER OUTPUT.
5. THIS SCHEMATIC IS FOR PCB ASSEMBLY P/N 0070608000 AND PCB FAB P/N 0070607000
- ALL DIODES ARE 1M4448.
 - ALL POLARIZED CAPACITORS IN uF, 20%; 50V MINIMUM.
 - ALL UNPOLARIZED CAPACITORS IN uF, 10% OR BETTER; 50V MINIMUM. (POWER SUPPLY BYPASS CAPACITORS ARE 20%).
 - ALL RESISTORS IN OHMS, 5%; 1/4W.

NOTES: (UNLESS OTHERWISE NOTED)

THIS DOCUMENT CONTAINS INFORMATION OF A PROPRIETARY NATURE TO FENDER MUSICAL INSTRUMENTS AND IS SUBMITTED TO YOU IN CONFIDENCE AND SHALL NOT BE DISCLOSED OR TRANSMITTED TO OTHERS WITHOUT AUTHORIZATION FROM FENDER MUSICAL INSTRUMENTS.		 SWR Corona, CA U.S.A.
CHECKED BY: _____ DATE: _____ APPROVED BY: _____ DATE: _____ DRAWN: D. Smith ENGR: D. Smith DATABASE FILE: Z676S.SCH		
TITLE: SERVICE DIAGRAM, (schematic) WORKINGPRO 10 PREAMP		SIZE: D DRAWING NUMBER: 0070609000 REV. A
RELEASE DATE: 28-SEP-05 SHEET: 1 OF 3		



VOLTAGE	TRANSFORMER	F1 FUSE RATING
100V	0064042000	F4A 250V
120V	0064040000	F4A 250V
230V	0064041000	F2A 250V



1. SEE SHEET 1 FOR TEST CONDITIONS
NOTES: (UNLESS OTHERWISE NOTED)

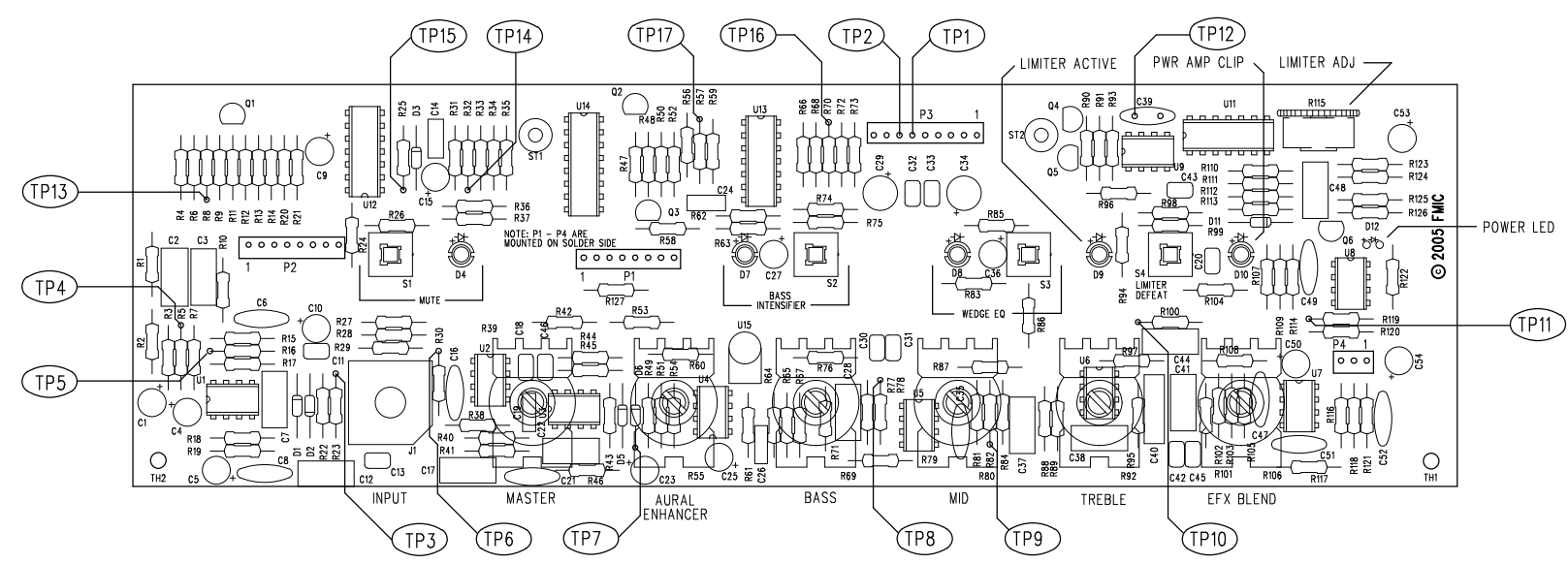
THIS DOCUMENT CONTAINS INFORMATION OF A PROPRIETARY NATURE TO FENDER MUSICAL INSTRUMENTS AND IS SUBMITTED TO YOU IN CONFIDENCE AND SHALL NOT BE DISCLOSED OR TRANSMITTED TO OTHERS WITHOUT AUTHORIZATION FROM FENDER MUSICAL INSTRUMENTS.		SWR Corona, CA U.S.A.	
CHECKED BY:	DATE:	TITLE: SERVICE DIAGRAM, COMBINED (schematic)	
APPROVED BY:	DATE:	WORKINGPRO 10	
DRAWN: D. Smith	ENGR: D. Smith	SIZE: D	DRAWING NUMBER: 0070609000
DATABASE FILE: Z6765.SCH		RELEASE DATE: 28-SEP-05	REV. A
		SHEET: 2	OF 3

8 7 6 5 4 3 2 1

REVISIONS			
REV.	DESCRIPTION	DATE	APPROVED
A	PR676	28-SEP-05	DJS

D
C
B
A

D
C
B
A



FILM/DWG: SERVICE DIAGRAM
 DATABASE: Z676P.PCB DATE: 28-SEP-05

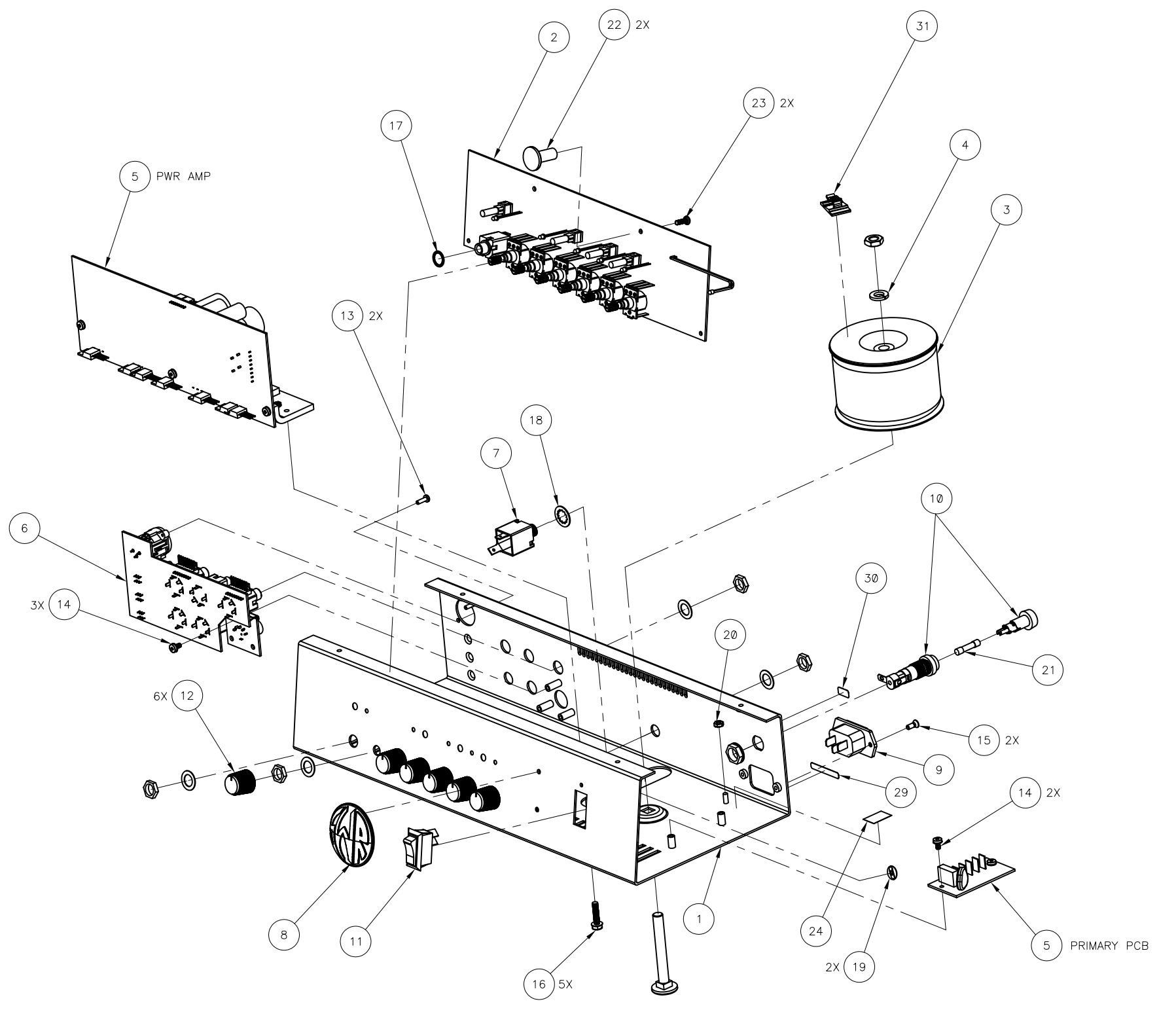
NOTES: (UNLESS OTHERWISE NOTED)

THIS DOCUMENT CONTAINS INFORMATION OF A PROPRIETARY NATURE TO FENDER MUSICAL INSTRUMENTS AND IS SUBMITTED TO YOU IN CONFIDENCE AND SHALL NOT BE DISCLOSED OR TRANSMITTED TO OTHERS WITHOUT AUTHORIZATION FROM FENDER MUSICAL INSTRUMENTS.		MUSICAL INSTRUMENTS Corona, CA U.S.A.	
CHECKED BY: _____ DATE: _____		TITLE: SERVICE DIAGRAM, COMBINED (PCB assy) WorkingPro 10 Main PCB	
APPROVED BY: _____ DATE: _____		SIZE C	DRAWING NUMBER 0070609000
DRAWN: Drew Smith ENGR: Drew Smith		RELEASE DATE: 28-SEP-05	REV. A
DATABASE FILE: Z676P.PCB		SHEET 3 OF 3	

8 7 6 5 4 3 2 1

THIS DOCUMENT CONTAINS INFORMATION OF A PROPRIETARY NATURE TO FENDER MUSICAL INSTRUMENTS AND IS SUBMITTED TO YOU IN CONFIDENCE AND SHALL NOT BE DISCLOSED OR TRANSMITTED TO OTHERS WITHOUT AUTHORIZATION FROM FENDER MUSICAL INSTRUMENTS CORP.

REV EC NUMBER BY DATE/ARCHIVE



SERVICE MANUAL DOCUMENT
02/14/2006

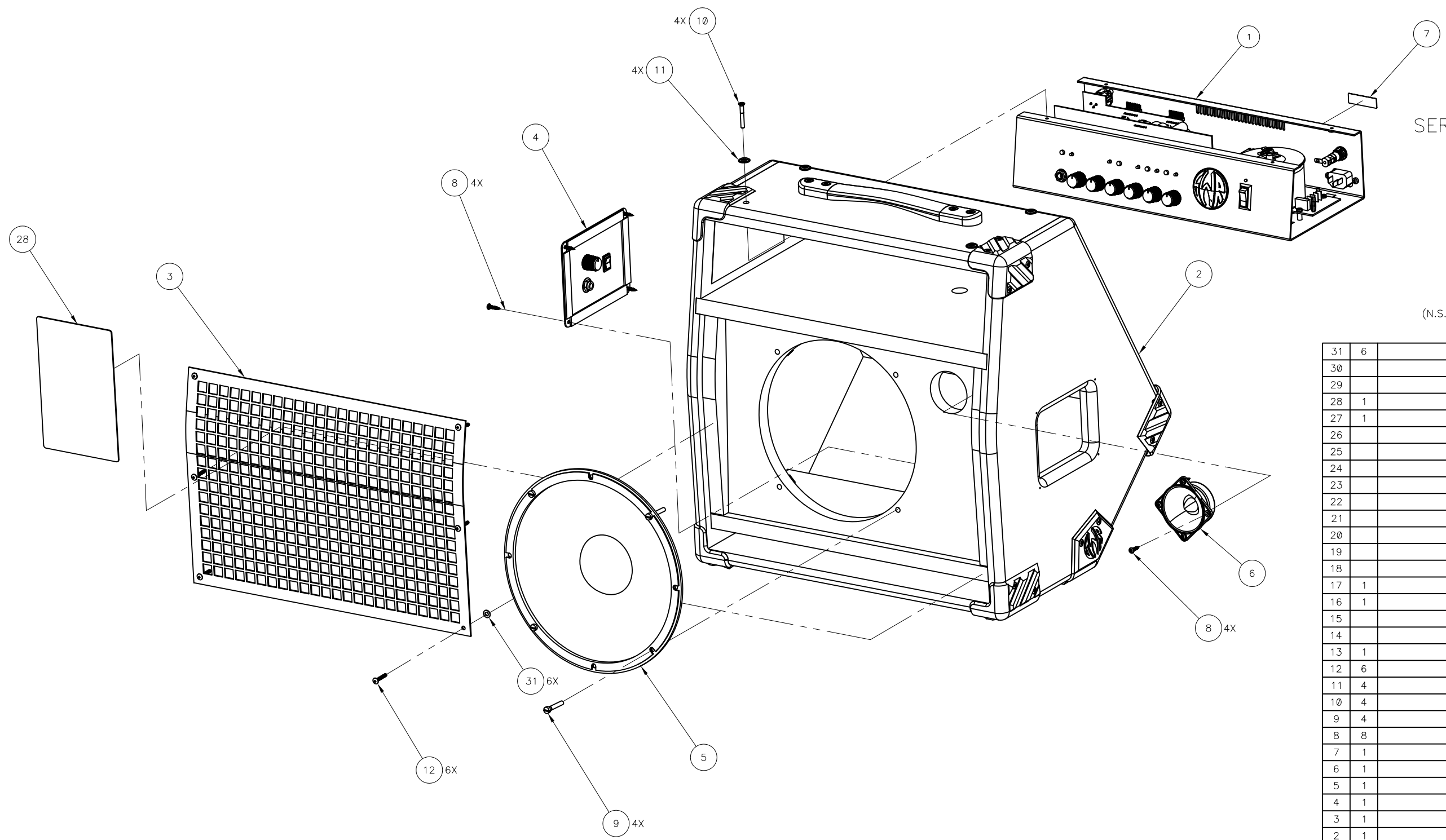
(N.S.) = NOT SHOWN

ITEM	QTY	DESCRIPTION
32		
31	1	CLAMP CABLE NYL ADHESIVE
30	1	LABEL FUSE
29	1	LABEL VOLTAGE
28	1	WIRESSET CHASSIS WORKINGPRO 10 (N.S.)
27	1	CABLE ASSY CRIMP 9 CKT 15" BLK (N.S.)
26	1	CABLE ASSY CRIMP 8 CKT 10" GRN (N.S.)
25	1	CABLE ASSY CRIMP 8 CKT 10" RED (N.S.)
24	1	LABEL GROUNDING SEMKO
23	2	SCRW PLASTITE 6x3/8 PHP BLX
22	2	STANDOFF .95" ADHESIVE
21	1	FUSE
20	1	NUT 6-32 HEX EXT LOCK
19	2	SPEED NUT PUSH ON TYPE SMALL
18	1	WASHER LCK INTL 3/8x.681x.032
17	1	WSHRLCKINTL 3/8x.500x.022 NI
16	5	SCRW TF 8-32x3/4 HWH SLTD ZI
15	2	SCRW M 6-32 X 3/8 FHP BLX
14	5	SCRW M 6-32x1/4 PHP BLX ITLW
13	2	SCRW SMB #4X3/8 PHP BLX
12	6	KNOB, BLACK PUSH-ON 18 TOOTH
11	1	SWITCH, ROCKER
10	1	FUSE HOLDER
9	1	CONNECTOR AC LINE MALE IEC
8	1	BADGE SWR "HUBCAP" SMALL
7	1	JACK PHONE 1/4" HI CURRENT
6	1	PCB ASSY WORKINGPRO I/O
5	1	PCB ASSY SWR 200 WATT PWR AMP
4	1	WSHR LCK INTL 5/16x.600x.03 ZI
3	1	XFRM PWR TOROIDAL
2	1	PCB ASSY WORKINGPRO 10
1	1	CHASSIS WORKINGPRO 10

		FENDER MUSICAL INSTRUMENTS CORP. CORONA, CALIFORNIA U.S.A.	
DATE	7/14/2004		
DFT.	ENG.	ENG.	TITLE
DATE	DATE	DATE	CHASSIS ASSEMBLY WORKINGPRO 10
APPROVED	SHEET	SIZE	DRAWING NUMBER
DATE	1 of 1	D	0070603000
	SCALE		REV.
	NONE		B
			ASSEMBLY

THIS DOCUMENT CONTAINS INFORMATION OF A PROPRIETARY NATURE TO FENDER MUSICAL INSTRUMENTS AND IS SUBMITTED TO YOU IN CONFIDENCE AND SHALL NOT BE DISCLOSED OR TRANSMITTED TO OTHERS WITHOUT AUTHORIZATION FROM FENDER MUSICAL INSTRUMENTS CORP.

REV EC NUMBER BY DATE/ARCHIVE



SERVICE MANUAL DOCUMENT
02/14/2006

(N.S.) = NOT SHOWN

ITEM	QTY	DESCRIPTION
31	6	WASHER SEAL # 8 ID x 3/8" OD
30		
29		
28	1	LABEL POP WORKINGPRO 10
27	1	CABLE ASSY SPKR RT ANGL 20" (N.S.)
26		
25		
24		
23		
22		
21		
20		
19		
18		
17	1	CABLE 24" WORKINGPRO MONITOR IN (N.S.)
16	1	WIRESET END ITEM WORKINGPRO 10 (N.S.)
15		
14		
13	1	CORD PWR (N.S.)
12	6	SCRW SMA 6x1 THP BLX
11	4	WSHR FNH 8-5/8 FLNGD BLX WX
10	4	SCREW M8-32x1-1/4 OHPS BLX WX
9	4	SCREW M10-32x1-1/4 FLHP STL BL
8	8	SCRW SMA 6-x5/8 PHP BLX
7	1	LABEL SERIAL MEXICO
6	1	TWEETER TLX-1
5	1	SPKR 10" 4ohm EMINENCE
4	1	PLATE ASSY MONITOR INPUT WORKINGPRO
3	1	GRILLE WORKINGPRO 10
2	1	CABINET ASSY WORKINGPRO 10
1	1	CHS ASSY WORKINGPRO 10

DATE 7/30/2005		TITLE END ITEM ASSEMBLY WORKINGPRO 10	
DFT.	ENG.	ENG.	
DATE	DATE	DATE	
APPROVED	SHEET 1 of 1	SIZE D	DRAWING NUMBER 4452400010
DATE	SCALE NONE		REV. B
		ASSEMBLY/MASTER	

8 7 6 5 4 3 2 1