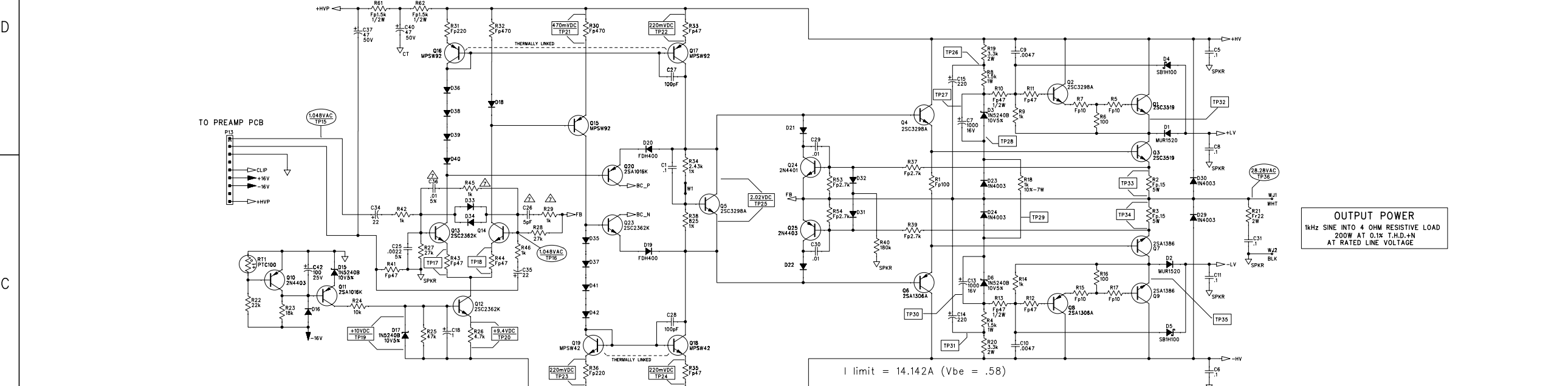
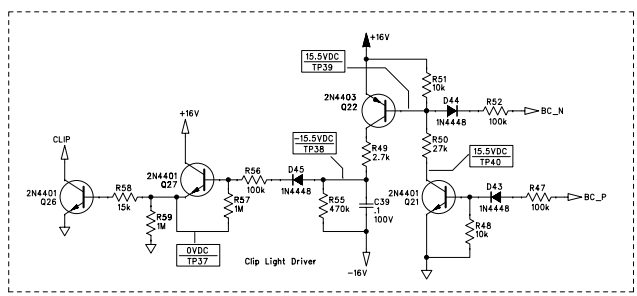
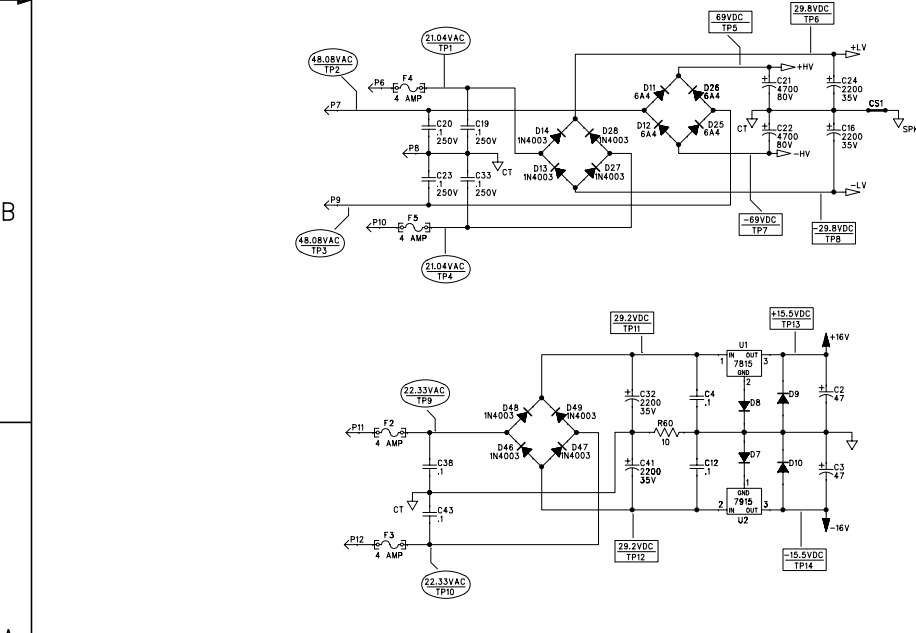


REVISIONS			
REV.	DESCRIPTION	DATE	APPROVED
A	PR 628	20-SEP-04	JCS
B	EC 3192	04-FEB-05	JCS



OUTPUT POWER
 1kHz SINE INTO 4 OHM RESISTIVE LOAD
 200W AT 0.1% T.H.D.+N
 AT RATED LINE VOLTAGE



TEST POINTS

TP17	+4.7mVDC
TP18	+4.7mVDC
TP26	+40.35VDC
TP27	+27.8VDC
TP28	+17.78VDC
TP29	-17.78VDC
TP30	-27.8VDC
TP31	-40.35VDC
TP32	+29.46VDC **
TP33	+4.5mVDC
TP34	+4.5mVDC
TP35	-29.46VDC **

** TP32 OSCILLOSCOPE WAVEFORM

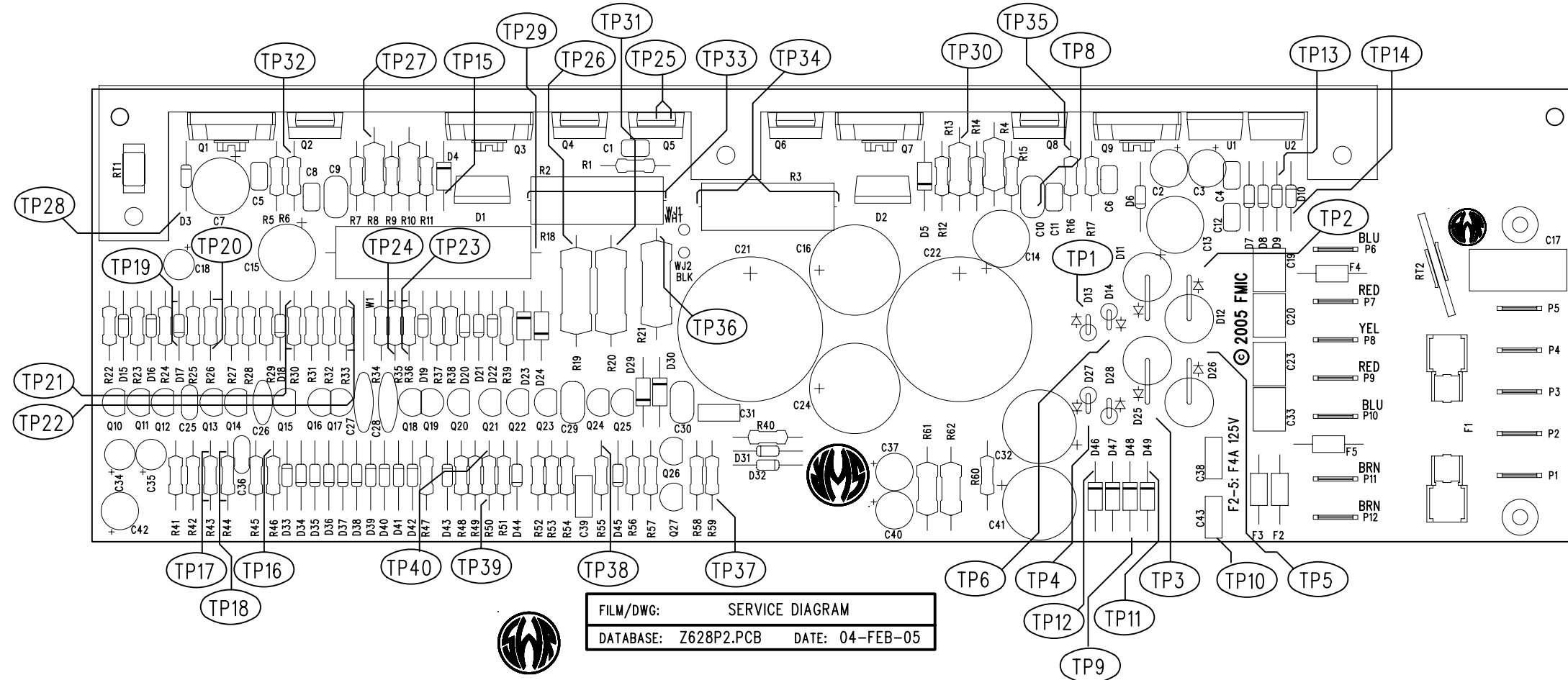
** TP35 OSCILLOSCOPE WAVEFORM

- AC VOLTAGES READ TO GROUND WITH A DVM UNDER THE FOLLOWING CONDITIONS:
 UNIT AT RATED LINE VOLTAGE
 4 OHM RESISTIVE LOAD CONNECTED AT SPEAKER OUTPUT
 1kHz SINE WAVE INPUT TO FX RETURN JACK
 NO INPUT SIGNAL
 - DC VOLTAGES READ TO GROUND WITH A DVM.
 - DO NOT STUFF P5, F1, C26, C36, R29 AND R45
 - LAST REFERENCE DESIGNATORS USED: C43, D49, F3, P13, Q27, R62, R63, TP40, U2
 - THIS SCHEMATIC IS FOR PCB FABRICATION P/N 0065465000 AND PCB ASSEMBLY P/N 0065466000 (PWR AMP).
 - ALL POLARIZED CAPACITORS IN uF, 20%; 25V MINIMUM.
 - ALL UNPOLARIZED CAPACITORS IN uF, 10% OR BETTER; 50V MINIMUM. (POWER SUPPLY BYPASS CAPACITORS ARE 20%).
 - ALL RESISTORS IN OHMS, 5%; 1/4W.
- NOTES: (UNLESS OTHERWISE NOTED)

THIS DOCUMENT CONTAINS INFORMATION OF A PROPRIETARY NATURE TO FENDER MUSICAL INSTRUMENTS AND IS SUBMITTED TO YOU IN CONFIDENCE AND SHALL NOT BE DISCLOSED OR TRANSMITTED TO OTHERS WITHOUT AUTHORIZATION FROM FENDER MUSICAL INSTRUMENTS.	Corona, CA U.S.A.
	TITLE: SERVICE DIAGRAM, COMBINED (schematic) SWR 200 WATT POWER AMP
CHECKED BY: _____ DATE: _____	DRAWING NUMBER D 0065467000
APPROVED BY: _____ DATE: _____	REV. B
DRAWN: B. HUGHES ENGR: STILLWELL DATABASE FILE: Z62852.SCH	RELEASE DATE: 20-SEP-04 SHEET: 1 OF 2


REVISIONS

REV.	DESCRIPTION	DATE	APPROVED
A	PR628	20-SEP-04	J C S
B	EC 3192	04-FEB-05	J C S

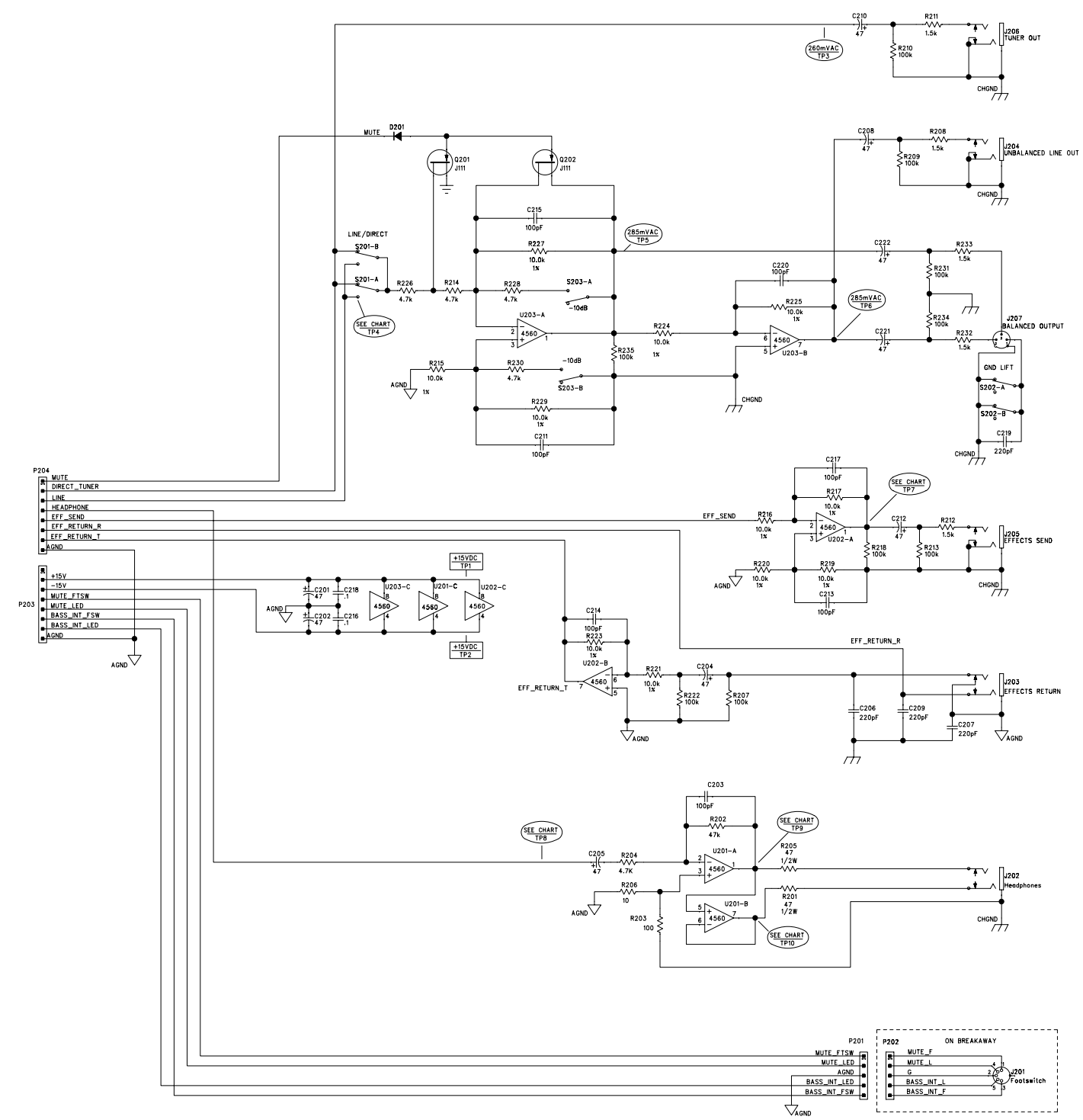


FILM/DWG: SERVICE DIAGRAM
 DATABASE: Z628P2.PCB DATE: 04-FEB-05

1. SEE SHEET 1 FOR TEST CONDITIONS AND TP VALUES.
 NOTES: (UNLESS OTHERWISE NOTED)

THIS DOCUMENT CONTAINS INFORMATION OF A PROPRIETARY NATURE TO FENDER MUSICAL INSTRUMENTS AND IS SUBMITTED TO YOU IN CONFIDENCE AND SHALL NOT BE DISCLOSED OR TRANSMITTED TO OTHERS WITHOUT AUTHORIZATION FROM FENDER MUSICAL INSTRUMENTS.		 Corona, CA U.S.A.	
CHECKED BY: _____ DATE: _____		TITLE: SERVICE DIAGRAM, COMBINED (PCB assy) SWR 200 WATT POWER AMP	
APPROVED BY: _____ DATE: _____		SIZE B	DRAWING NUMBER 0065467000
DRAWN: J. STILLWELL ENGR: J. STILLWELL		REV. B	RELEASE DATE: 20-SEP-04
DATABASE FILE: Z628P2.PCB		SHEET 2 OF 2	SHEET 2 OF 2

REVISIONS			
REV.	DESCRIPTION	DATE	APPROVED
A	PR673	15 SEP 05	S.M.B.



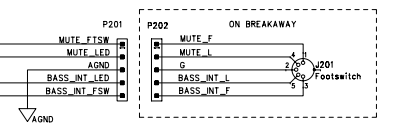
P204

MUTE
DIRECT_TUNER
LINE
HEADPHONE
EFF_SEND
EFF_RETURN_R
EFF_RETURN_T
AGND

P203

+15V
-15V
MUTE_FTSW
MUTE_LED
BASS_INT_FSW
BASS_INT_LED
AGND

TP#	WP10	ALL OTHER WORKINGPRO MODELS
4	140mVAC	180mVAC
7	135mVAC	180mVAC
8	140mVAC	40mVAC
9	1.3VAC	375mVAC
10	1.3VAC	375mVAC



- AC AND DC VOLTAGES READ TO GROUND WITH A DVM UNDER THE FOLLOWING CONDITIONS (VOLTAGES MAY VARY +/-20%):
- PCB INSTALLED IN AMPLIFIER & CONNECTED TO PREAMP PCB AT P203-204
- ALL CONTROLS AT 50%. ALL SWITCHES "OUT" OR "OFF"
- (SEE PREAMP SERVICE DIAGRAM FOR SPECIFIC TEST CONDITIONS)
- APPLY 50mV 100Hz SINEWAVE AT INSTRUMENT INPUT
- TEST POINT MEASUREMENTS MAY VARY DEPENDING ON PRODUCT. SEE CHART FOR PRODUCT SPECIFIC TEST POINT MEASUREMENTS
 - THIS SCHEMATIC IS FOR PCB ASSY P/N 0064749000 AND PCB FAB P/N 0064749000
 - ALL DIODES ARE 1N4448
 - ALL UNPOLARIZED CAPACITORS IN uF, 10% OR BETTER, 50V MINIMUM
 - ALL RESISTORS ARE 1/4 WATT 5%
- NOTES: (UNLESS OTHERWISE NOTED)

THIS DOCUMENT CONTAINS INFORMATION OF A PROPRIETARY NATURE TO FENDER MUSICAL INSTRUMENTS AND IS SUBMITTED TO YOU IN CONFIDENCE AND SHALL NOT BE DISCLOSED OR TRANSMITTED TO OTHERS WITHOUT AUTHORIZATION FROM FENDER MUSICAL INSTRUMENTS.

SWR
Corona, CA U.S.A.

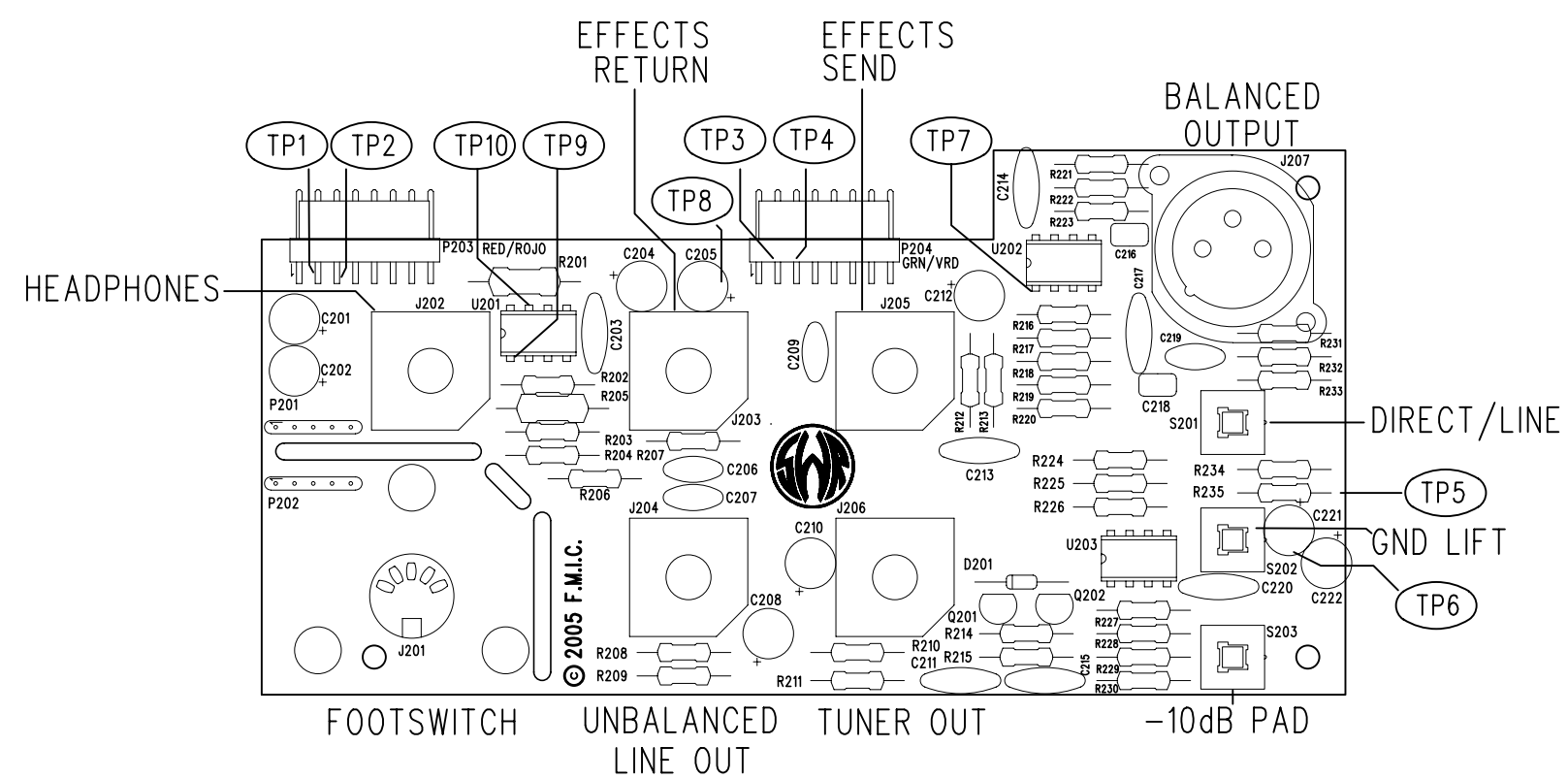
CHECKED BY: _____
DATE: _____
APPROVED BY: _____
DATE: _____
DRAWN: G.McMillan ENGR: S.Banthead
DATABASE FILE: Z63252.SCH

TITLE: SERVICE DIAGRAM, (schematic)
WORKINGPRO AMPLIFIERS
AUDIO I/O PCB

SIZE: D
DRAWING NUMBER: 0069470000
REV. A


RELEASE DATE: 15-SEP-05 SHEET: 1 OF 2

REVISIONS			
REV.	DESCRIPTION	DATE	APPROVED
A	PR673	15-SEP-05	S.M.B.

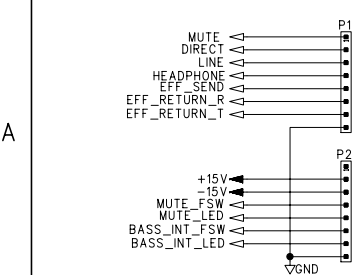
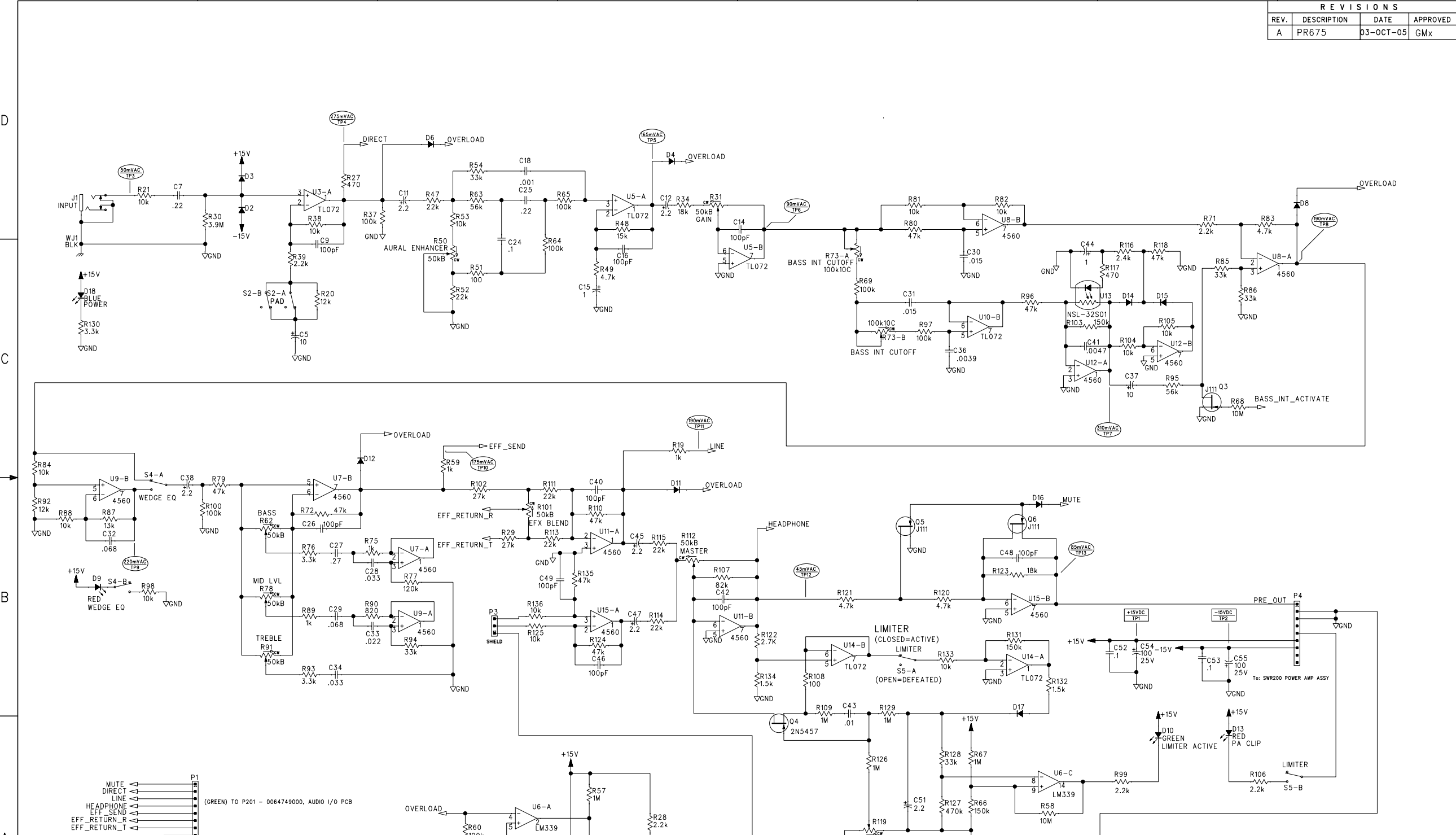


FILM/DWG: SERVICE DIAGRAM
 DATABASE: Z632P2.PCB DATE: 15-SEP-05

1. SEE SHEET 1 FOR TEST CONDITIONS & TEST POINT VALUES
 NOTES: (UNLESS OTHERWISE SPECIFIED)

THIS DOCUMENT CONTAINS INFORMATION OF A PROPRIETARY NATURE TO FENDER MUSICAL INSTRUMENTS AND IS SUBMITTED TO YOU IN CONFIDENCE AND SHALL NOT BE DISCLOSED OR TRANSMITTED TO OTHERS WITHOUT AUTHORIZATION FROM FENDER MUSICAL INSTRUMENTS.		 SWR Corona, CA U.S.A.	
CHECKED BY: _____ DATE: _____		TITLE: SERVICE DIAGRAM, COMBINED (PCB assy) WorkingPro AMPLIFIERS AUDIO I/O PCB	
APPROVED BY: _____ DATE: _____		SIZE B	DRAWING NUMBER 0069470000
DRAWN: G.McMillan ENGR: S.Bankhead	DATABASE FILE: Z632P2.PCB	RELEASE DATE: 15-SEP-05	REV. A SHEET 2 OF 2

REVISIONS			
REV.	DESCRIPTION	DATE	APPROVED
A	PR675	03-OCT-05	GMx



(GREEN) TO P201 - 0064749000, AUDIO I/O PCB
 (RED) TO P202 - 0064749000, AUDIO I/O PCB

- AC AND DC VOLTAGES READ TO GROUND WITH A DVM UNDER THE FOLLOWING CONDITIONS (VOLTAGES MAY VARY +/-20%):
 - UNIT OPERATING AT RATED LINE VOLTAGE
 - ALL CONTROLS AT 50%. ALL SWITCHES "OUT" OR "OFF"
 - 50mv, 100Hz SINEWAVE AT INSTRUMENT INPUT
 - ALL UNPOLARIZED CAPACITORS IN uF, 10% OR BETTER; 50V MINIMUM. (POWER SUPPLY BYPASS CAPACITORS ARE 20%).
 - ALL DIODES ARE 1N4448.
 - ALL RESISTORS IN OHMS, 5% 1/4W.
- NOTES: (UNLESS OTHERWISE NOTED)

THIS DOCUMENT CONTAINS INFORMATION OF A PROPRIETARY NATURE TO FENDER MUSICAL INSTRUMENTS AND IS SUBMITTED TO YOU IN CONFIDENCE AND SHALL NOT BE DISCLOSED OR TRANSMITTED TO OTHERS WITHOUT AUTHORIZATION FROM FENDER MUSICAL INSTRUMENTS.

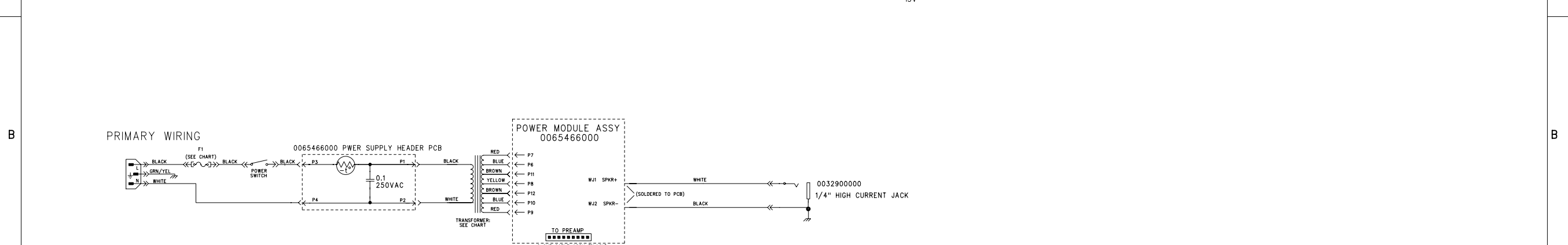
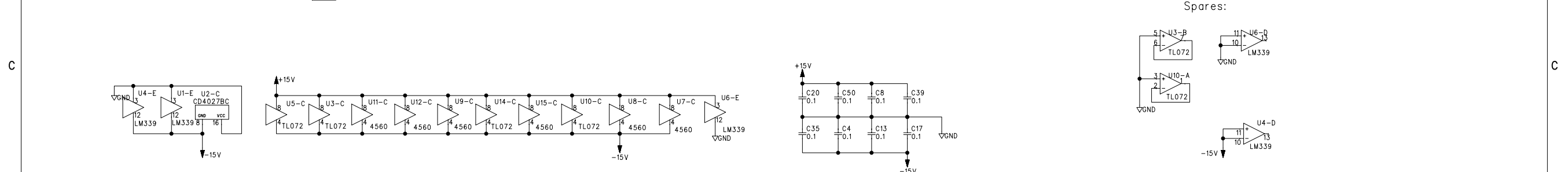
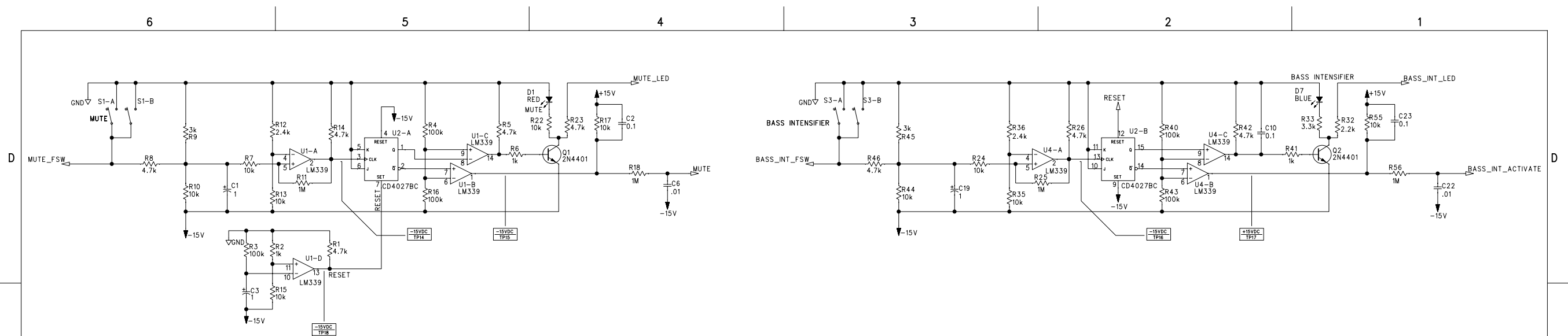
CHECKED BY: _____
 DATE: _____
 APPROVED BY: _____
 DATE: _____
 DRAWN: G.McMillan ENGR: S.Bankhead
 DATABASE FILE: Z6755.SCH

SWR
 Corona, CA U.S.A.

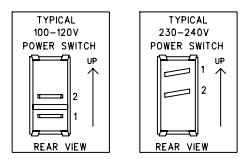
TITLE: SERVICE DIAGRAM, (schematic)
 WORKINGPRO 12
 PREAMP

SIZE DRAWING NUMBER REV.
 D 0069500000 A

RELEASE DATE: 03-OCT-05 SHEET: 1 OF 3



VOLTAGE	TRANSFORMER	F1 FUSE RATING
100V	0064779000	T8A L 250V 3AG
120V	0064778000	T6A L 250V 3AG
230V	0064780000	T4A L 250V 5mm



1. SEE SHEET 1 FOR TEST CONDITIONS
NOTES: (UNLESS OTHERWISE NOTED)

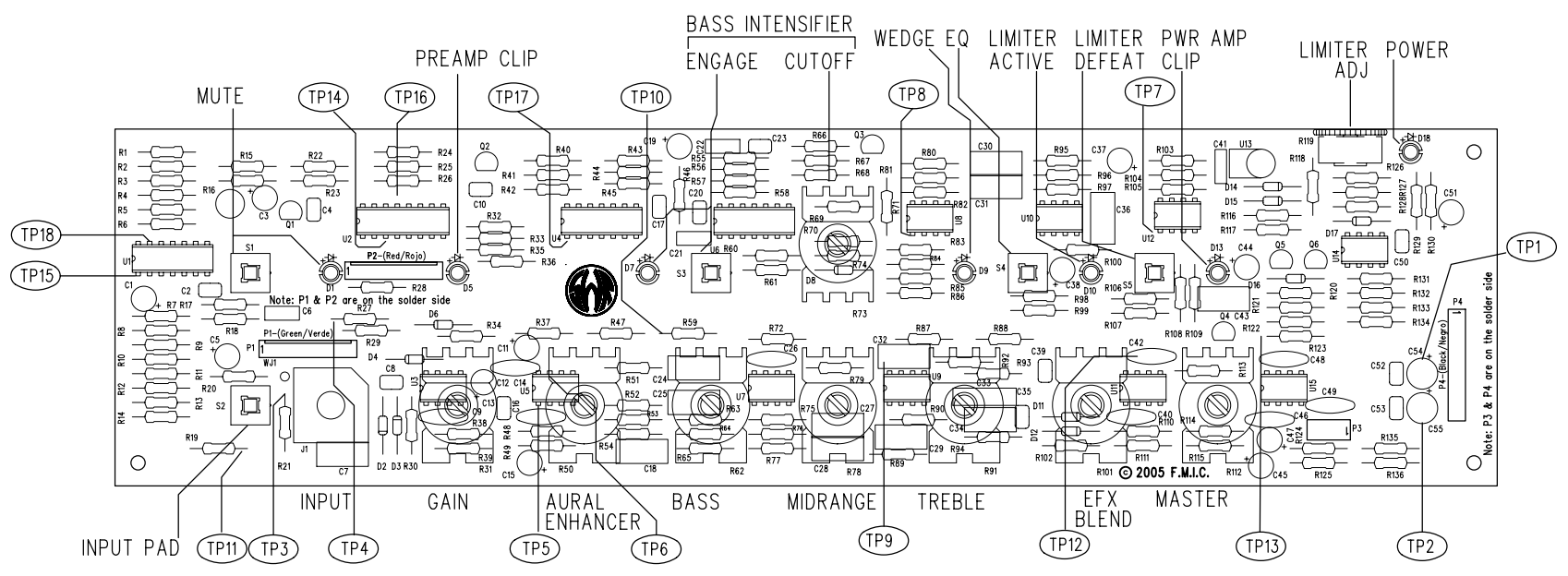
<small>THIS DOCUMENT CONTAINS INFORMATION OF A PROPRIETARY NATURE TO FENDER MUSICAL INSTRUMENTS AND IS SUBMITTED TO YOU IN CONFIDENCE AND SHALL NOT BE DISCLOSED OR TRANSMITTED TO OTHERS WITHOUT AUTHORIZATION FROM FENDER MUSICAL INSTRUMENTS.</small>		 SWR Corona, CA U.S.A.
CHECKED BY: _____ DATE: _____ APPROVED BY: _____ DATE: _____ <small>DRAWN: G.McMillan [ENGR: S.Bankhead]</small>		
TITLE: SERVICE DIAGRAM, COMBINED (schematic) WORKINGPRO 12 PREAMP & CHASSIS WIRING		SIZE: D DRAWING NUMBER: 0069500000 REV: A
DATABASE FILE: 26755.SCH		RELEASE DATE: 03-OCT-05 SHEET: 2 OF 3

8 | 7 | 6 | 5 | 4 | 3 | 2 | 1

REVISIONS			
REV.	DESCRIPTION	DATE	APPROVED
A	PR675	03-OCT-05	GMx


D
C
B
A

D
C
B
A



FILM/DWG: SERVICE DIAGRAM
 DATABASE: Z675P.PCB DATE: 03-OCT-05

UNLESS OTHERWISE NOTED:
 1. SEE SHEET 1 FOR TEST CONDITIONS & TEST POINT VALUES

THIS DOCUMENT CONTAINS INFORMATION OF A PROPRIETARY NATURE TO FENDER MUSICAL INSTRUMENTS AND IS SUBMITTED TO YOU IN CONFIDENCE AND SHALL NOT BE DISCLOSED OR TRANSMITTED TO OTHERS WITHOUT AUTHORIZATION FROM FENDER MUSICAL INSTRUMENTS.		 SWR Corona, CA U.S.A.	
CHECKED BY: _____ DATE: _____		TITLE: SERVICE DIAGRAM, COMBINED (PCB assy) WorkingPro 12 PREAMP PCB	
APPROVED BY: _____ DATE: _____		SIZE C	DRAWING NUMBER 0069500000
DRAWN: G McMillan ENGR: S Bankhead	DATABASE FILE: Z675P.PCB	RELEASE DATE: 03-OCT-05	SHEET 3 OF 3 REV. A

8 | 7 | 6 | 5 | 4 | 3 | 2 | 1