

OWNERS MANUAL

Speaker Systems

SPL1225
SPL1226



Sunn is a product line of FMIC

The SPL 1225 and SPL 1226 models are full range loudspeaker systems designed for professional service. They were created to provide efficient, full range systems, with wide response, low distortion and controlled directivity.

Product Features

Only the finest components have been utilized to provide years of trouble free performance. Quality features include a woofer with die cast alloy frame, FOURTEEN AND ONE HALF POUND motor structure and a 3-inch voice coil employing a polyimide KAPTON coil form.

The high frequency compression driver has been constructed using a polyimide KAPTON voice coil form coupled to a titanium diaphragm, employing a circumferential ring "phasing plug". Our custom designed horn with its special "vertically aligned" airfoils has been optimized to provide the best possible performance while providing accurately controlled dispersion.

The BI-AMP ready crossover network employs 18dB per octave filters for accurate summation of the low and high frequency drivers. Two input jacks are provided and double as high and low inputs if set in the EXTERNAL mode, or as parallel inputs while set in the INTERNAL mode.

Cabinet construction is trapezoidal to minimize internal reflections which can cause colorization of the low frequency driver. Additionally, sound absorptive insulation is used to further suppress internal reflections. The rugged carpet covering over 3/4-inch plywood will withstand the rigors of "tour" service and maintain its good looks.

Setup Procedure

For best performance, placement is important. If the system is placed near a flat wall, bass performance will be reinforced by about six decibels. This means that for

application where feedback will not be a concern (keyboard or drum synthesizer service), place the speaker systems near the rear wall of the stage, elevated above equipment that may be on stage. Where feedback is a problem, (vocal microphones and the like) place the speakers in front of the microphones, near the front of the stage.

For multiple system operation, keep the high frequency sections near one another, and angle the systems so that their flat sides are in contact (see figure 1). In this way, two systems can provide nearly 150 degrees of horizontal coverage.

Connect the amplifier to the loudspeaker with minimum 14 gauge wire, when a length of no more than 100 feet is used. Where multiple systems are to be "DAISY CHAINED" together, or where longer cable runs will be encountered consider using larger gauge wire (smaller number). A rule of thumb is to subtract "3" from the wire gauge each time the number of systems doubles or where the cable length doubles. As an example, for a 200 foot run, use 11 gauge wire. For a 100 foot run to a pair of speakers, also use 11 gauge wire. For a 200 foot run to two systems, use two separate 11 gauge cables. If too small a gauge of wire is used, no harm or hazard will result, but "sound quality" and level may be degraded.

We suggest the use of SWITCH-CRAFT Z15P plugs on the cable ends if the wire is heavier than 14 gauge (smaller number).

When operating in the BI-AMP or "external" mode, use an electronic crossover with a third order BUTTERWORTH (18 dB per octave slope). Set the "crossover frequency" to 1200 Hz., and set the High and Low level controls equally. Equalization and attenuation for the high frequency driver is left in place while set in the external mode.

SPECIFICATIONS

System Type

Two way, vented baffle low frequency section, horn loaded high frequency section.

Woofer

SPL 1225

Single 15 inch SUNN SPL driver with 3-inch voice coil, employing polyimide KAPTON voice coil bobbin, and cast alloy frame.

SPL 1226

Dual 15-inch SUNN SPL drivers with 3-inch voice coil, employing polyimide KAPTON voice coil bobbins, and cast alloy frames.

High Frequency

SUNN designed and manufactured horn with 40 x 90 degree radiation angle. Special SUNN designed 2-inch driver featuring TITANIUM diaphragm and circumferential ring phasing plug.

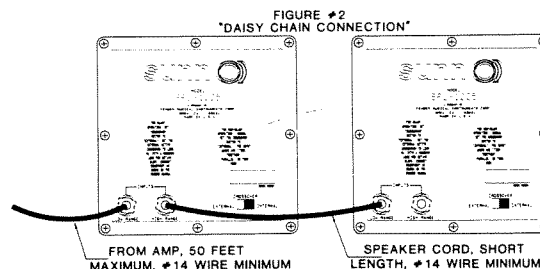
Crossover

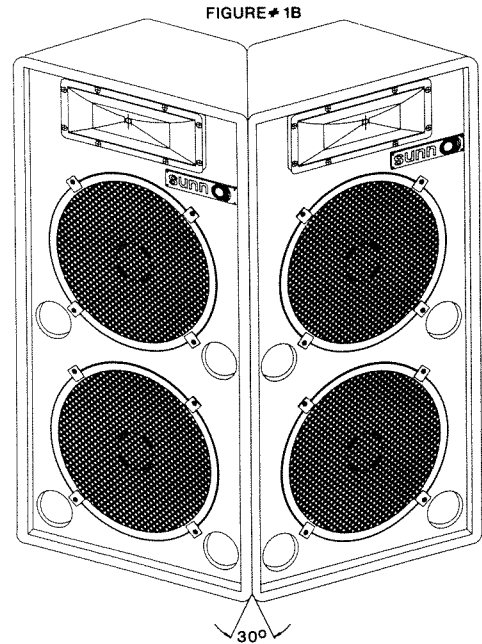
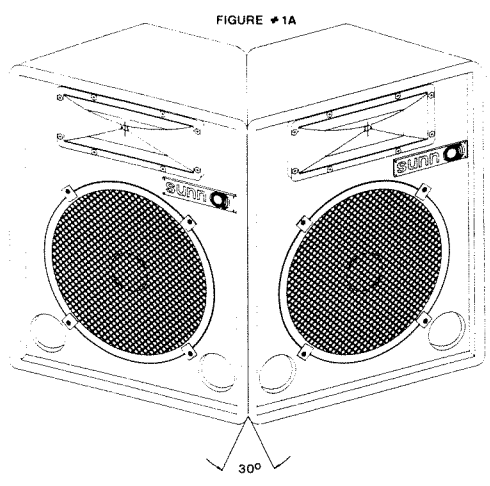
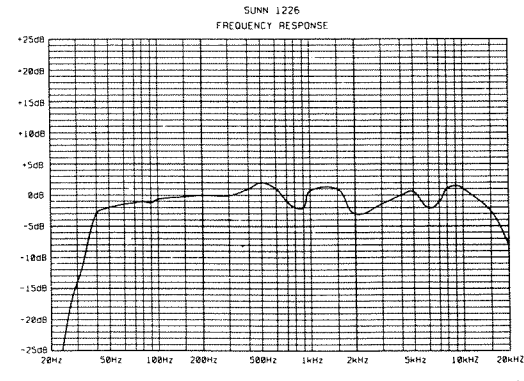
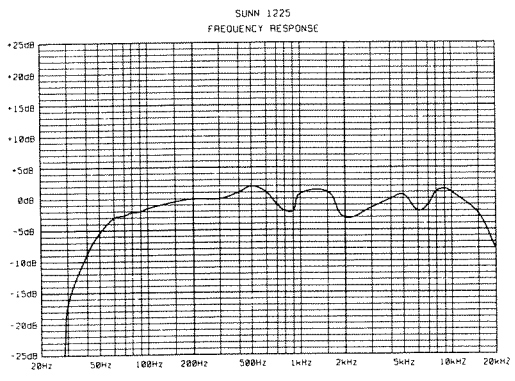
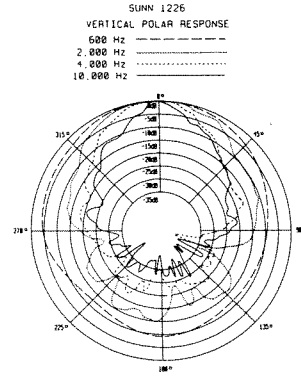
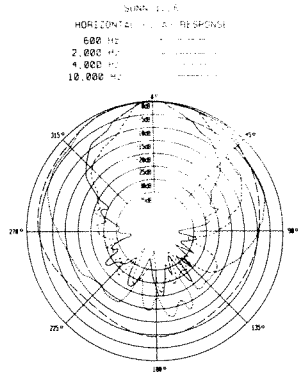
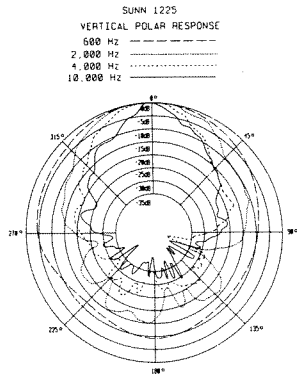
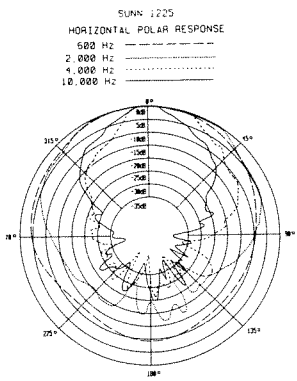
Third order BUTTERWORTH set to 1200 Hz. Rear panel switch is provided to allow BI-AMP ready capability. Two inputs allow 'DAISY-CHAIN' operation of multiple systems with the internal crossover, or HIGH-LOW inputs when used with an external (user supplied) active crossover.

Cabinet

ALL 3/4-inch PLYWOOD construction with trapezoidal shape and rugged carpet covering.

Performance	SPL1225	SPL1226
Frequency Response	50 Hz - 20 kHz (half space)	38 Hz - 20 kHz (half space)
Rated Impedance	8 ohms	8 ohms
Sensitivity	100 dB, 1 Meter, 1 Watt	100 dB, 1 Meter, 1 Watt
Vertical Radiation Angle	40 Degree, @ 5kHz	40 Degree, @ 5kHz
Horizontal Radiation Angle	90 Degree, @ 5kHz	90 Degree, @ 5kHz
Crossover Frequency	1250 Hz.	1250 Hz.
Power Rating	200 Watts per E.I.A. RS426	400 Watts per E.I.A. RS426





SUNN ELECTRONIC PRODUCTS LIMITED WARRANTY

This limited warranty against defects in material and workmanship applies only to the original purchaser when purchased from an Authorized SUNN Dealer. **IMPORTANT: PLEASE RETAIN YOUR SALES RECEIPT AS IT IS YOUR PROOF OF PURCHASE COVERING YOUR LIMITED WARRANTY. THIS LIMITED WARRANTY IS VOID WITHOUT SUCH SALES RECEIPT.**

Defective parts presented during the applicable warranty period with proof of purchase will be repaired or replaced without charge if the product is returned to any Authorized SUNN Dealer or SUNN Service Center. All SUNN Electronic Products carry a Three Year Limited Warranty from date of purchase, except that light bulbs, vacuum tubes and meters carry only a Ninety Day Warranty from date of purchase, and Speakers carry only a One Year Warranty from date of purchase. Any repair or service performed by any person or entity other than an Authorized SUNN Dealer or SUNN Service Center is not covered by this limited warranty. Transportation costs are not included in this limited warranty.

This limited warranty becomes void if the serial number on any product is defaced or removed, or the product has been damaged by alteration, misuse, rental, accident, or neglect; or the product has been repaired or serviced by persons not authorized by SUNN Musical Instruments Corporation. SUNN assumes no liability for property damage of any sort, whether to a SUNN product or any other property, which may result from the failure of any SUNN Electronic Product. Any warranties implied by law are limited to the duration of this express limited warranty. There are no warranties which extend beyond the description on the face hereof.

This limited warranty does not cover any SUNN lighting products or any parts or accessories to any such lighting products.

Some states do not allow limitations on how long an implied warranty lasts, so the above time limitations may not apply to you. Some states do not allow exclusions or limitations of incidental or consequential damages, so the above limitation or exclusion may not apply to you.

This warranty gives you specific legal rights, and you may also have other rights which vary from state to state.

Have service performed by any Authorized SUNN Dealer or contact:

Customer Relations
SUNN Musical Instruments
1130 Columbia Street
Brea, CA 92621



Sunn is a product line of FMIC