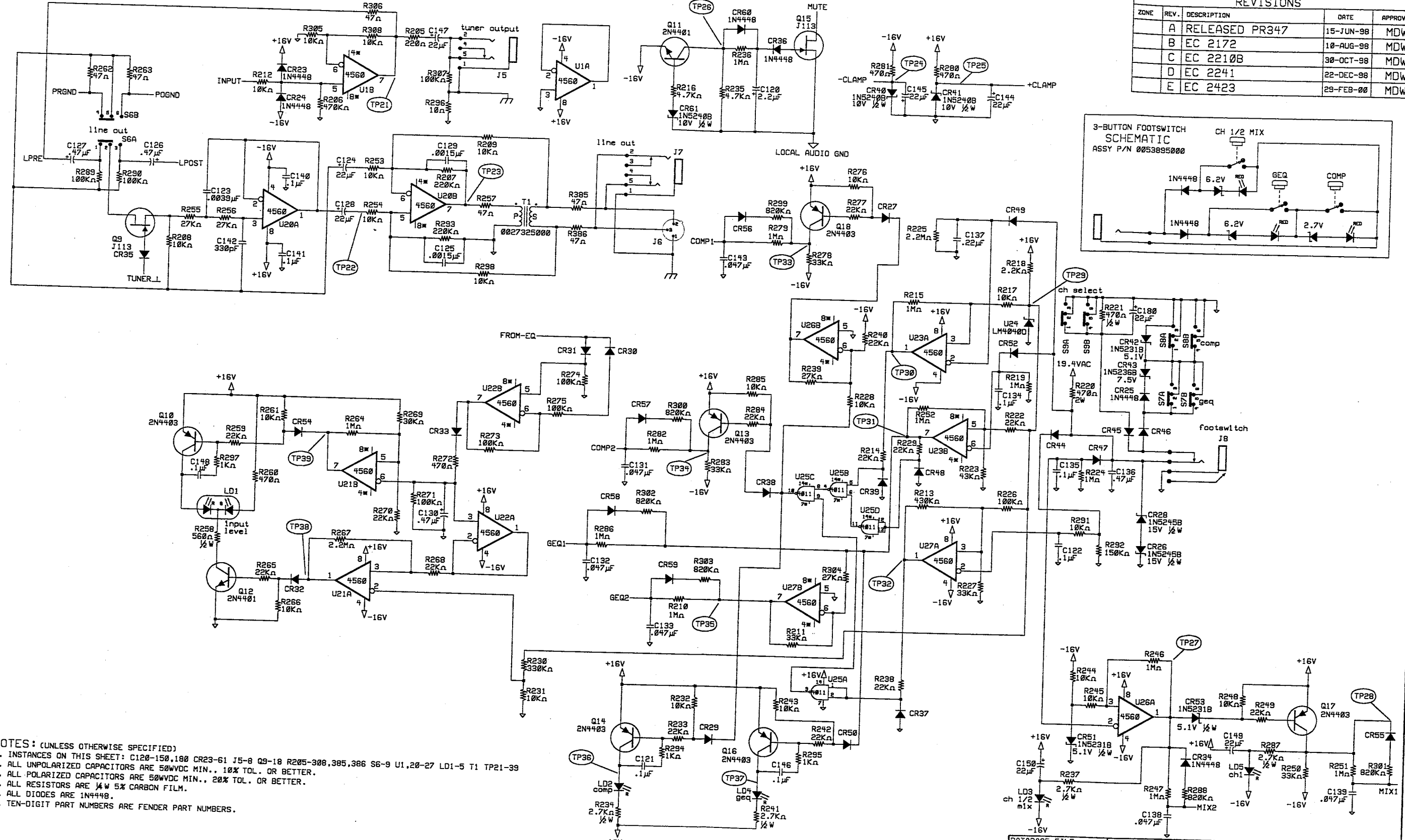
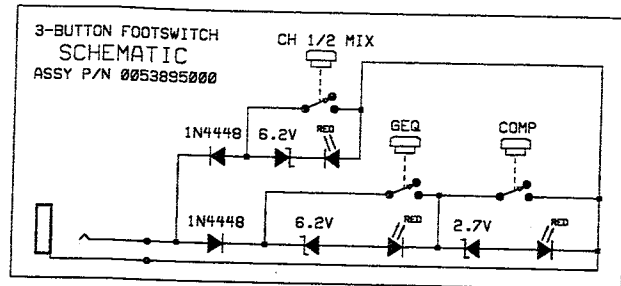


REVISIONS				
ZONE	REV.	DESCRIPTION	DATE	APPROVED
	B	EC 2172	10-AUG-98	MDW
	C	EC 2210B	30-OCT-98	MDW
	D	EC 2241	22-DEC-98	MDW
	E	EC 2423	29-FEB-00	MDW

- NOTES: (UNLESS NOTED OTHERWISE)
1. INSTANCES ON THIS SHEET: C1-119 CR1-22 J1-4 Q1-8 R1-204,383,384 S1-5 U2-19 V1-2 TP1-20,59,60
  2. ALL UNPOLARIZED CAPACITORS ARE 50WVDC MIN., 10% TOL. OR BETTER.
  3. ALL POLARIZED CAPACITORS ARE 50WVDC MIN., 20% TOL. OR BETTER.
  4. ALL RESISTORS ARE 1/4W 5% CARBON FILM.
  5. ALL DIODES ARE 1N4448.
  6. TEN-DIGIT PART NUMBERS ARE FENDER PART NUMBERS.

DATABASE FILE: 234751.DBF CHECKED BY: <i>Allen</i> DATE: <i>01-MAR-00</i> APPROVED: <i>MDW</i> DATE: <i>3-1-2000</i>	<b>PROPRIETARY</b> THIS DRAWING DOCUMENT CONTAINS INFORMATION WHICH IS PROPRIETARY TO AND IS THE PROPERTY OF THE FENDER MUSICAL INSTRUMENTS CO. AND MAY NOT BE USED, REPRODUCED OR DISCLOSED IN ANY MANNER WITHOUT THE EXPRESSED WRITTEN CONSENT FROM FENDER MUSICAL INSTRUMENTS CO. REGIONAL HEADQUARTERS CORONA, CALIFORNIA U.S.A. IT IS TIME, ONCE AGAIN...	<b>Fender</b> MUSICAL INSTRUMENTS Corona, California U.S.A. TITLE: SERVICE DIAGRAM, COMB.(schematic) SUNN 300T BASS AMPLIFIER SIZE: DRAWN: FM/MDW DRAWING NUMBER: 0051944000 ENGR: FM/MDW NEXT HIGHER ASSEMBLY: SUNN 300T BASS AMP. SCALE:
---	--	--

REVISIONS				
ZONE	REV.	DESCRIPTION	DATE	APPROVED
	A	RELEASED PR347	15-JUN-98	MDW
	B	EC 2172	18-AUG-98	MDW
	C	EC 2210B	30-OCT-98	MDW
	D	EC 2241	22-DEC-98	MDW
	E	EC 2423	29-FEB-00	MDW



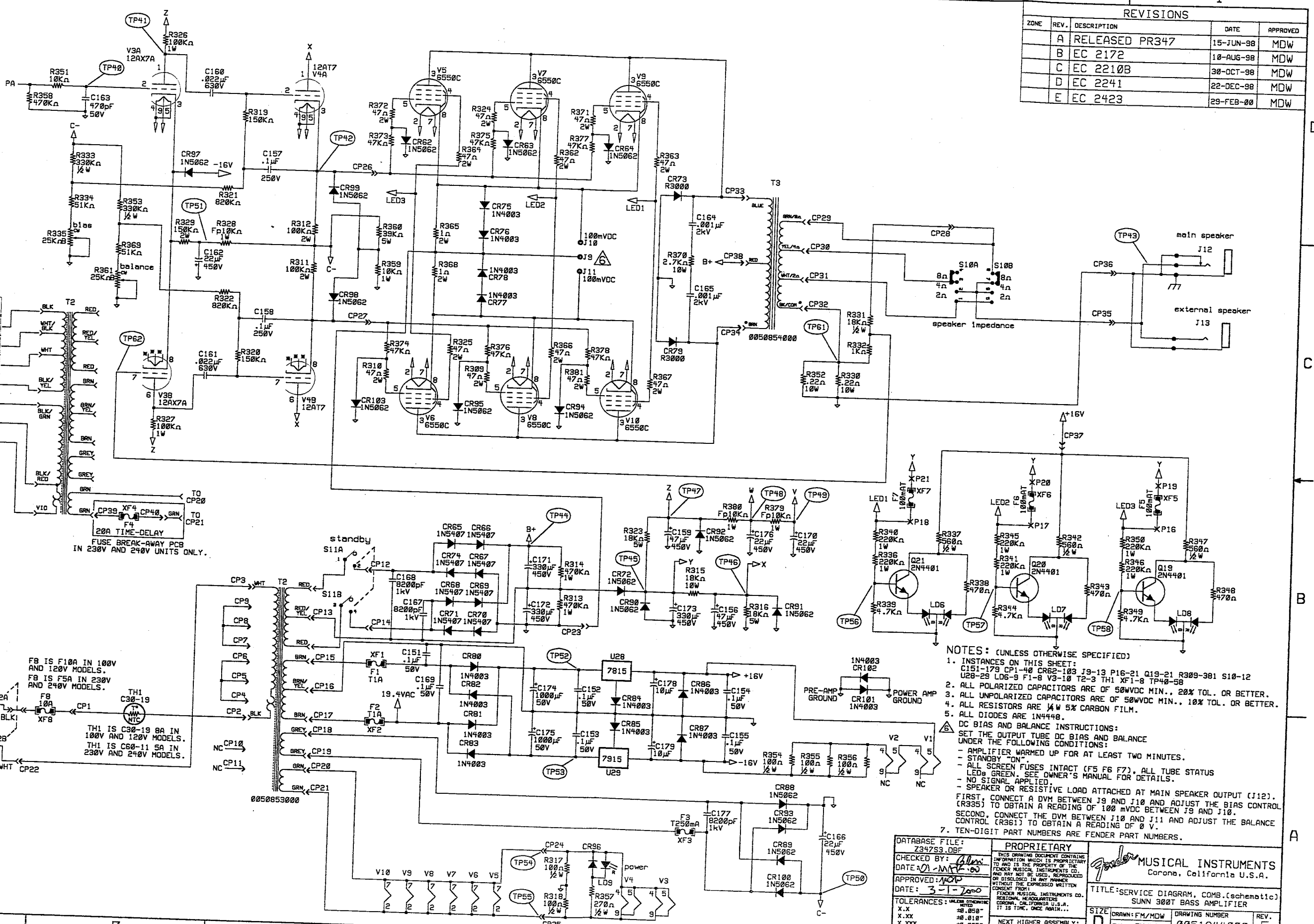
- NOTES: (UNLESS OTHERWISE SPECIFIED)
1. INSTANCES ON THIS SHEET: C120-150, 180 CR23-61 J5-8 Q9-18 R205-300, 385, 386 S6-9 U1, 20-27 LD1-5 T1 TP21-39
  2. ALL UNPOLARIZED CAPACITORS ARE 50WVDC MIN., 10% TOL. OR BETTER.
  3. ALL POLARIZED CAPACITORS ARE 50WVDC MIN., 20% TOL. OR BETTER.
  4. ALL RESISTORS ARE 1/4 W 5% CARBON FILM.
  5. ALL DIODES ARE 1N4448.
  6. TEN-DIGIT PART NUMBERS ARE FENDER PART NUMBERS.

DATABASE FILE: Z34752.DBF CHECKED BY: <i>[Signature]</i> DATE: 01-MAR-99 APPROVED: <i>[Signature]</i> DATE: 3-1-2000 TOLERANCES: UNLESS OTHERWISE SPECIFIED X.X .05" X.XX .010" X.XXX .005" ANGLES .500"	<b>PROPRIETARY</b> THIS DRAWING DOCUMENT CONTAINS INFORMATION WHICH IS PROPRIETARY TO AND IS THE PROPERTY OF THE FENDER MUSICAL INSTRUMENTS CO. AND MAY NOT BE USED, REPRODUCED OR DISCLOSED IN ANY MANNER WITHOUT THE EXPRESSED WRITTEN CONSENT FROM FENDER MUSICAL INSTRUMENTS CO. REGIONAL HEADQUARTERS CORONA, CALIFORNIA U.S.A. IT IS TIME, ONCE AGAIN... NEXT HIGHER ASSEMBLY: SUNN 300T BASS AMP.	<b>Fender MUSICAL INSTRUMENTS</b> Corona, California U.S.A. TITLE: SERVICE DIAGRAM, COMB.(schematic) SUNN 300T BASS AMPLIFIER SIZE: DRAWN: FM/MDW DRAWING NUMBER: 0051944000 REV. E ENGR: FM/MDW CREATED: 05-APR-97 PLOTTED: 29-FEB-00 SHEET 2 OF 4
--	---	---

REVISIONS				
ZONE	REV.	DESCRIPTION	DATE	APPROVED
	A	RELEASED PR347	15-JUN-98	MDW
	B	EC 2172	18-AUG-98	MDW
	C	EC 2210B	30-OCT-98	MDW
	D	EC 2241	22-DEC-98	MDW
	E	EC 2423	29-FEB-00	MDW

100V 50/60Hz	230V 50/60Hz	240V 50/60Hz
CP8	CP7	CP3
CP10	CP3	CP7
CP3	CP11	CP11
CP5	CP5	CP5
CP7	CP4	CP4
CP4	CP10	CP10
CP2	CP2	CP2

WIRING DIAGRAM,  
EXPORT POWER  
TRANSFORMER.  
0053942000



20A TIME-DELAY  
FUSE BREAK-AWAY PCB  
IN 230V AND 240V UNITS ONLY.

FB IS F10A IN 100V  
AND 120V MODELS.  
FB IS F5A IN 230V  
AND 240V MODELS.

TH1 IS C30-19 8A IN  
100V AND 120V MODELS.  
TH1 IS C60-11 5A IN  
230V AND 240V MODELS.

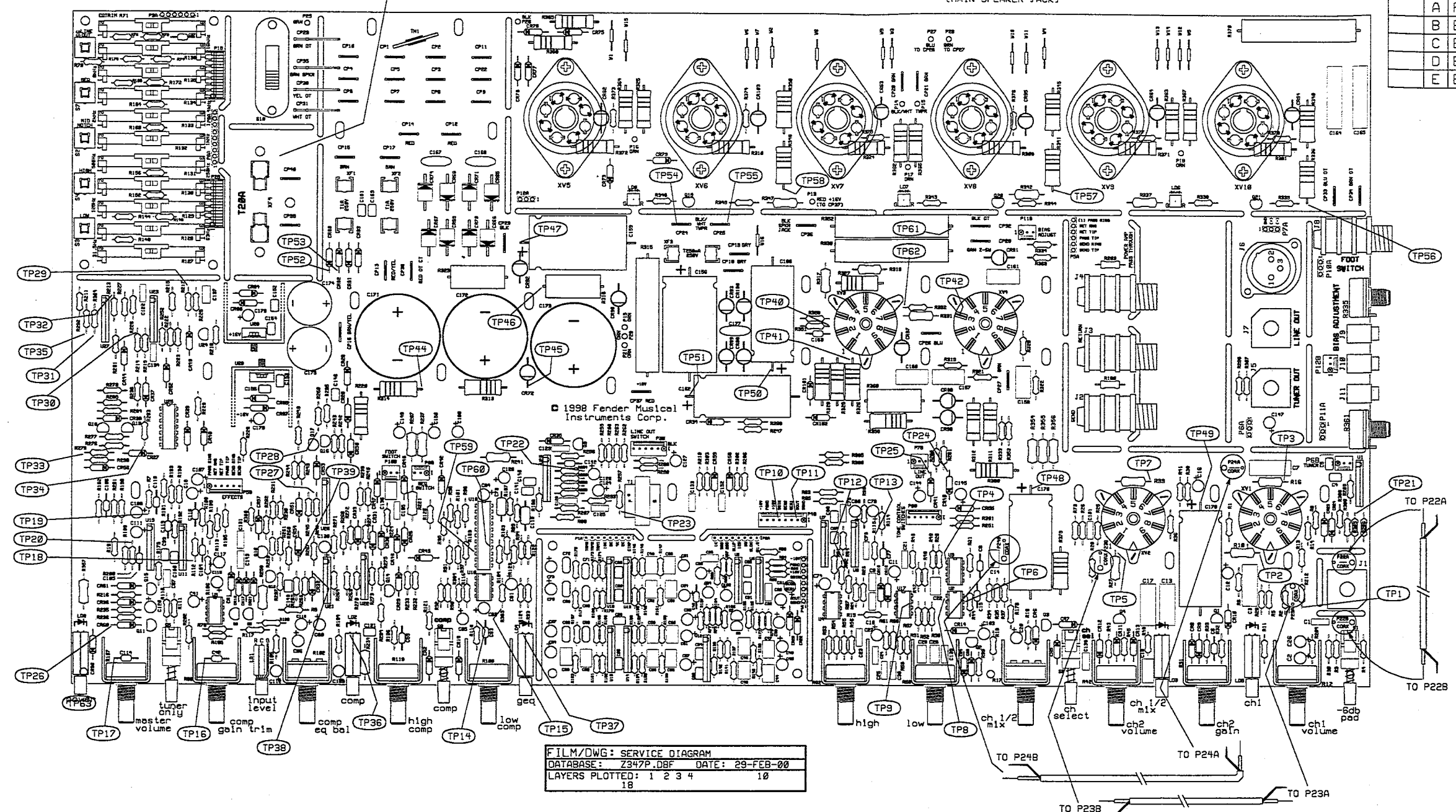
- NOTES: (UNLESS OTHERWISE SPECIFIED)
- INSTANCES ON THIS SHEET:  
C151-179 CP1-40 CR62-103 J9-13 P16-21 Q19-21 R309-381 S10-12  
U28-29 L05-9 F1-8 V3-10 T2-3 TH1 XF1-8 TP40-58
  - ALL POLARIZED CAPACITORS ARE OF 50WVDC MIN., 20% TOL. OR BETTER.
  - ALL UNPOLARIZED CAPACITORS ARE OF 50WVDC MIN., 10% TOL. OR BETTER.
  - ALL RESISTORS ARE 1/4W 5% CARBON FILM.
  - ALL DIODES ARE 1N4448.
- DC BIAS AND BALANCE INSTRUCTIONS:  
SET THE OUTPUT TUBE DC BIAS AND BALANCE UNDER THE FOLLOWING CONDITIONS:  
- AMPLIFIER WARMED UP FOR AT LEAST TWO MINUTES.  
- STANDBY "ON"  
- ALL SCREEN FUSES INTACT (F5 F6 F7), ALL TUBE STATUS LEDs GREEN. SEE OWNER'S MANUAL FOR DETAILS.  
- NO SIGNAL APPLIED.  
- SPEAKER OR RESISTIVE LOAD ATTACHED AT MAIN SPEAKER OUTPUT (J12).
- FIRST, CONNECT A DVM BETWEEN J9 AND J10 AND ADJUST THE BIAS CONTROL (R335) TO OBTAIN A READING OF 100 mVDC BETWEEN J9 AND J10.  
SECOND, CONNECT THE DVM BETWEEN J10 AND J11 AND ADJUST THE BALANCE CONTROL (R361) TO OBTAIN A READING OF 0 V.
7. TEN-DIGIT PART NUMBERS ARE FENDER PART NUMBERS.

DATABASE FILE: Z34753.DBF		PROPRIETARY	
CHECKED BY: DATE: 01-11-00	APPROVED: [Signature] DATE: 3-1-2000	THIS DRAWING DOCUMENT CONTAINS INFORMATION WHICH IS PROPRIETARY TO AND IS THE PROPERTY OF THE FENDER MUSICAL INSTRUMENTS CO. AND MAY NOT BE USED, REPRODUCED OR DISCLOSED IN ANY MANNER WITHOUT THE EXPRESSED WRITTEN CONSENT FROM: FENDER MUSICAL INSTRUMENTS CO. REGIONAL HEADQUARTERS CORONA, CALIFORNIA U.S.A. IT IS THE POLICY OF FENDER...	
TOLERANCES: UNLESS OTHERWISE SPECIFIED X.X .050" X.XX .010" X.XXX .005" ANGLES .500°		TITLE: SERVICE DIAGRAM, COMB. (schematic) SUNN 300T BASS AMPLIFIER	
DRAWN: FM/MDW ENGR: FM/MDW		DRAWING NUMBER: 0051944000	
NEXT HIGHER ASSEMBLY: SUNN 300T BASS AMP.		REVISION: E	
CREATED: 05-APR-97 PLOTTED: 29-FEB-00		SHEET 3 OF 4	

REVISIONS				
ZONE	REV.	DESCRIPTION	DATE	APPROVED
	A	RELEASED PR347	15-JUN-98	MDW
	B	EC 2172	10-AUG-98	MDW
	C	EC 2210B	30-OCT-98	MDW
	D	EC 2241	22-DEC-98	MDW
	E	EC 2423	29-FEB-00	MDW

XF4, CP39, CP40 INSTALLED IN 230V AND 240V UNITS ONLY.

TP43 AT J12 TIP (MAIN SPEAKER JACK)



FILM/DWG: SERVICE DIAGRAM  
 DATABASE: Z347P.DBF DATE: 29-FEB-00  
 LAYERS PLOTTED: 1 2 3 4 10 18

TP#	VOLTS DC	VOLTS AC	ADDITIONAL CONDITIONS/NOTES
1		25.8 mV	
2	+133 V	326 mV	
3	+133 V	470 mV	
4		468 mV	
5	+133 V	70 mV	
6		528 mV	
7	+153 V	26.7 V	WITH S9 (ch select) IN AND 5.9 mV AT TP1 (INPUT)
8		679 mV	
9		478 mV	
10		462 mV	
11		450 mV	
12		225 mV	
13		225 mV	
14		218 mV	225 mV MAXIMUM, APPROXIMATE
15		218 mV	225 mV MAXIMUM, APPROXIMATE
16		847 mV	918 mV MAXIMUM, APPROXIMATE
17		246 mV	
18		246 mV	
19		743 mV	
20		246 mV	
21		50.4 mV	

TP#	VOLTS DC	VOLTS AC	ADDITIONAL CONDITIONS/NOTES
22		49.5 mV	
23		48.4 mV	
24	-10.2 V		
25	+10.2 V		
26	-15.4 V		5 SECONDS AFTER TURN-ON
27	-13.9 V		
27	+14.1 V		WITH S9 (ch select) IN
28	+15.5 V		
28	-15.4 V		WITH S9 (ch select) IN
29	+10.0 V		
30	+14.9 V		
30	-14.1 V		WITH S8 (comp) AND S7 (geq) IN
31	+14.8 V		
31	-13.7 V		WITH S7 (geq) IN
32	+14.9 V		
32	-14.1 V		WITH S8 (comp) IN
33	+15.5 V		
33	-15.4 V		WITH S8 (comp) IN
34	-15.4 V		
34	+15.5 V		WITH S8 (comp) IN
35	-14.1 V		

TP#	VOLTS DC	VOLTS AC	ADDITIONAL CONDITIONS/NOTES
35	+14.8 V		WITH S7 (geq) IN
36	-14.1 V		
36	+15.5 V		WITH S8 (comp) IN
37	-14.2 V		
37	+15.5 V		WITH S7 (geq) IN
38	-14.1 V		
38	+14.7 V		WITH >10mV SIGNAL AT TP1, R12 (volume) AT FULL CW.
39	+15.1 V		
39	-13.8 V		WITH >10mV SIGNAL AT TP1, R12 (volume) FULL CW.
40		781 mV	
41	+171 V	8.72 V	SAME AT V38 PIN 6.
42	-49.4 V	8.57 V	SAME AT V48 PIN 8.
43		11.8 V	
44	+742 V		
45	+372 V		
46	+135 V		
47	+276 V		
48	+241 V		
49	+214 V		

TP#	VOLTS DC	VOLTS AC	ADDITIONAL CONDITIONS/NOTES
50	-327 V		
51	-306 V		
52	+24.6 V		
53	-24.6 V		
54		3.29 V	
55		3.29 V	
56	+2.83 V		0.0 V IN STANDBY OR WITH OPEN F6;
57	+2.83 V		0.0 V IN STANDBY OR WITH OPEN F5;
58	+2.83 V		0.0 V IN STANDBY OR WITH OPEN F4;
59	+2.00 V		DC BIAS AT U18 RECTIFIER INPUT PIN 9
60	+2.00 V		DC BIAS AT U18 RECTIFIER INPUT PIN 15
61		161 mV	
62	0.0 V	472 mV	

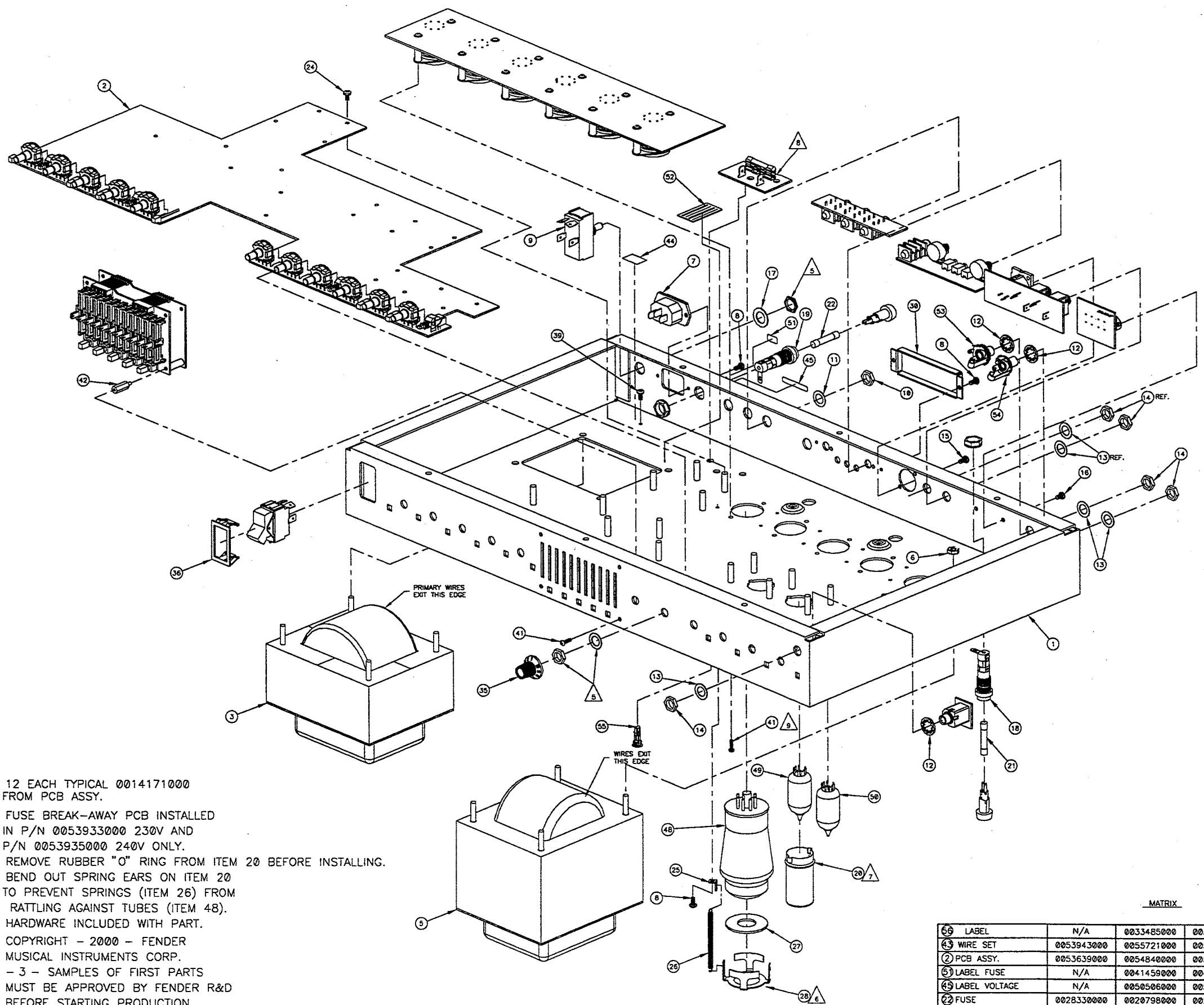
NOTES AND TEST CONDITIONS:

- VOLTAGES MEASURED WITH RESPECT TO GROUND USING A DVM OF AT LEAST 10MA DC AND 1MA AC INPUT IMPEDANCE. VOLTAGES MAY VARY ±20%.
- ALL DC AND SUPPLY VOLTAGES MEASURED WITH NO SIGNAL APPLIED.
- UNIT AT RATED LINE VOLTAGE.
- 8A RESISTIVE LOAD CONNECTED AT TP43 (J12), AND S10 (SPEAKER IMPEDANCE SWITCH) SET TO 8a.
- ALL CONTROLS AT CENTER ROTATION ("5-1/2").
- ALL PUSH BUTTON SWITCHES OUT.
- 25.8 mV 400 Hz SINEWAVE APPLIED AT TP1 (INPUT JACK).
- NO FOOTSWITCH CONNECTED.
- DC BIAS AND BALANCE CONTROLS R335 AND R361 SET TO OBTAIN A READING OF 100 mVDC FROM J10 AND J11 TO GROUND. SEE SCHEMATIC FOR INSTRUCTIONS.
- PCB SHOWN AS FABRICATED, WITH BREAK-AWAYS IN PLACE.

DATABASE FILE: Z347P.DBF CHECKED BY: <i>[Signature]</i> DATE: 01-MAR-00 APPROVED: <i>[Signature]</i> DATE: 3-1-2000 TOLERANCES: UNLESS OTHERWISE NOTED X.X     ±0.050" X.XX    ±0.010" X.XXX   ±0.005" ANGLES   ±0.500°	PROPRIETARY THIS DRAWING DOCUMENT CONTAINS INFORMATION WHICH IS PROPRIETARY TO AND IS THE PROPERTY OF THE FENDER MUSICAL INSTRUMENTS CO. AND MAY NOT BE USED, REPRODUCED OR DISCLOSED IN ANY MANNER WITHOUT THE EXPRESSED WRITTEN CONSENT FROM FENDER MUSICAL INSTRUMENTS CO., REDLANDS, CALIFORNIA U.S.A. IT IS TIME, ONCE AGAIN... NEXT HIGHER ASSEMBLY: SUNN 300T BASS AMP.	FENDER MUSICAL INSTRUMENTS Corona, California U.S.A. TITLE: SERVICE DIAGRAM COMB. (PCB assy) SUNN 300T BASS AMPLIFIER SIZE: D DRAWN: WILKENS ENGR: FM/MDW DRAWING NUMBER: 0051944000 REV: E CREATED: 08-JUN-98 PLOTTED: 29-FEB-00 SHEET 4 OF 4
---	---	--

THIS DOCUMENT CONTAINS INFORMATION OF A PROPRIETARY NATURE TO FENDER MUSICAL INSTRUMENTS AND IS SUBMITTED TO YOU IN CONFIDENCE AND SHALL NOT BE DISCLOSED OR TRANSMITTED TO OTHERS WITHOUT AUTHORIZATION FROM FENDER MUSICAL INSTRUMENTS CORP.

REV	EC NUMBER	BY	DATE
B	EC 2198	GHG	11/11/98
C	EC 2245-ADD ITEM 55, CHG QTY FOR ITEM 8 TO 16, CHG NOTE B	BS	1/18/99
D	EC 2378- ADD ITEM 56	BW	1/13/2000



(N.S.) = NOT SHOWN

56	1	SEE MATRIX	LABEL MADE IN USA 1-3/4 x 7/32 (N.S.)
55	3	0051404000	STANDOFF NYLON BLACK .375
54	1	0021956000	JACK PHONE OPEN CIRCUIT 11
53	1	0021550000	JACK PHONE TIP SHUNT 12A
52	1	0037139000	LABEL FUSE REPLACEMENT
51	1	SEE MATRIX	LABEL FUSE
50	1	0023531000	TUBE 12AT7 HIGH MJ TWIN TRIODE
49	3	0013341000	TUBE 7025/12AX7WA RUSSIAN MADE
48	6	0048489000	TUBE VACUUM 6550 OUTPUT
45	1	SEE MATRIX	LABEL VOLTAGE
44	1	0013020000	LABEL GROUNDING SEMKO
43	1	SEE MATRIX	WIRE SET SUNN 300T CHASSIS (N.S.)
42	4	0054386000	STANDOFF M/F 4-40x9/16 HEX AL
41	4	0014171000	SCRW M 4-40x3/8" PHP BLX
39	1	0038900000	SCRW TF 6-32x1/4 PHP ZI
36	1	0051855000	SWITCH ROCKER DPST W/BEZEL
35	11	0024604000	KNOB BLACK W/WHITE STAMP 1-10
30	1	0053892000	COVER BOX BIAS CONTROLS
28	6	0039369000	RETAINER TOP TUBE SPRING
27	6	0039364000	WASHER EPDM TUBE CLAMP DAMPNER
26	12	0053956000	SPRING, EXTENSION 2.49x.15"
25	12	0039370000	RETAINER ANCHOR TUBE SPRING
24	23	0031184000	SCRW M6-32x1/4 PHPS BLX ITLW
22	1	SEE MATRIX	FUSE
21	3	0013004000	FUSE TD 20mmx5mm 250V 100mA
20	4	0053893000	TUBE SHIELD SUNN MODEL T
19	1	SEE MATRIX	FUSE HOLDER
18	3	0036703000	FUSE HOLDER 5mm FINGER GRIP
17	1	0022293000	WSHR FLAT .473x.750 NI
16	2	0021568000	SCRW M 6-32x3/16 PHP NI
15	2	0051155000	SCRW SMB #4x3/8 PHP BLX
14	5	0016352000	NUT HEX 3/8-32x3/32 TK NI
13	5	0031153000	WSHR FLAT 3/8x.614 NI
12	3	9904300100	WASHER LCK INTL 3/8x.681x.032
11	4	0053480000	WASHER FLAT .442 x.692 NI
10	4	0053479000	NUT HEX 7/16 20x1/8 NI
9	1	0036570000	SWITCH TOGGLE DPST W/NUTS
8	16	0032806000	SCRW TF 6-32x1/4 PHP BLX
7	1	0047213000	CONNECTOR AC LINE MALE IEC
6	8	0025819000	NUT KEPS 10-32 ZINC
5	1	0050854000	TRANSFORMER, OUTPUT
3	1	SEE MATRIX	XFMR POWER
2	1	SEE MATRIX	PCB ASSY SUNN 300T
1	1	0053941000	CHASSIS SUNN 300T

- ⚠ 12 EACH TYPICAL 0014171000 FROM PCB ASSY.
  - ⚠ FUSE BREAK-AWAY PCB INSTALLED IN P/N 0053933000 230V AND P/N 0053935000 240V ONLY.
  - ⚠ REMOVE RUBBER "O" RING FROM ITEM 20 BEFORE INSTALLING.
  - ⚠ BEND OUT SPRING EARS ON ITEM 20 TO PREVENT SPRINGS (ITEM 26) FROM RATTLING AGAINST TUBES (ITEM 48).
  - 5. HARDWARE INCLUDED WITH PART.
  - 4. COPYRIGHT - 2000 - FENDER MUSICAL INSTRUMENTS CORP.
  - 3. - 3 - SAMPLES OF FIRST PARTS MUST BE APPROVED BY FENDER R&D BEFORE STARTING PRODUCTION.
  - 2. ALL DIMENSIONS ARE IN INCHES.
  - 1. DO NOT SCALE DRAWING.
- NOTES: UNLESS OTHERWISE NOTED

MATRIX

56	LABEL	N/A	0033485000	0033485000	0033485000
43	WIRE SET	0053943000	0055721000	0055721000	0053943000
2	PCB ASSY.	0053639000	0054840000	0054840000	0053639000
51	LABEL FUSE	N/A	0041459000	0041459000	N/A
45	LABEL VOLTAGE	N/A	0050506000	0050505000	0050507000
22	FUSE	0028330000	0020798000	0020798000	0028330000
19	FUSE HOLDER	0036702000	0036703000	0036703000	0036702000
3	XFMR POWER	0050853000	0053942000	0053942000	0053942000
1	CHASSIS ASSY.	SUNN 300T 120V DOM. 0053932000	SUNN 300T 240V AUST. 0053933000	SUNN 300T 230V 100V JPN. 0053935000	SUNN 300T 100V JPN. 0053936000

ENGINEER  
DRAWN  
DATE  
DFT. ENG. LENG.  
DATE DATE DATE  
DATE DATE DATE  
DATE DATE DATE

WILKENS  
GOOLER  
5/20/98

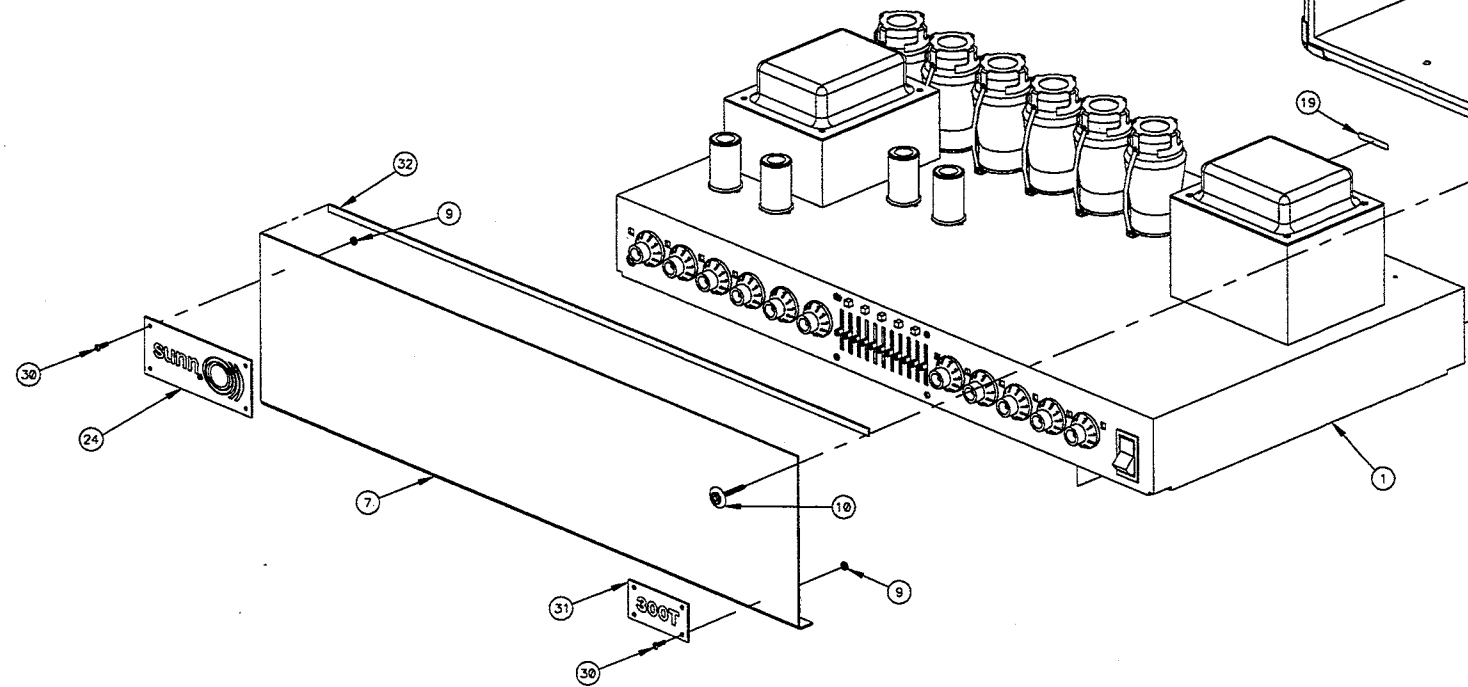
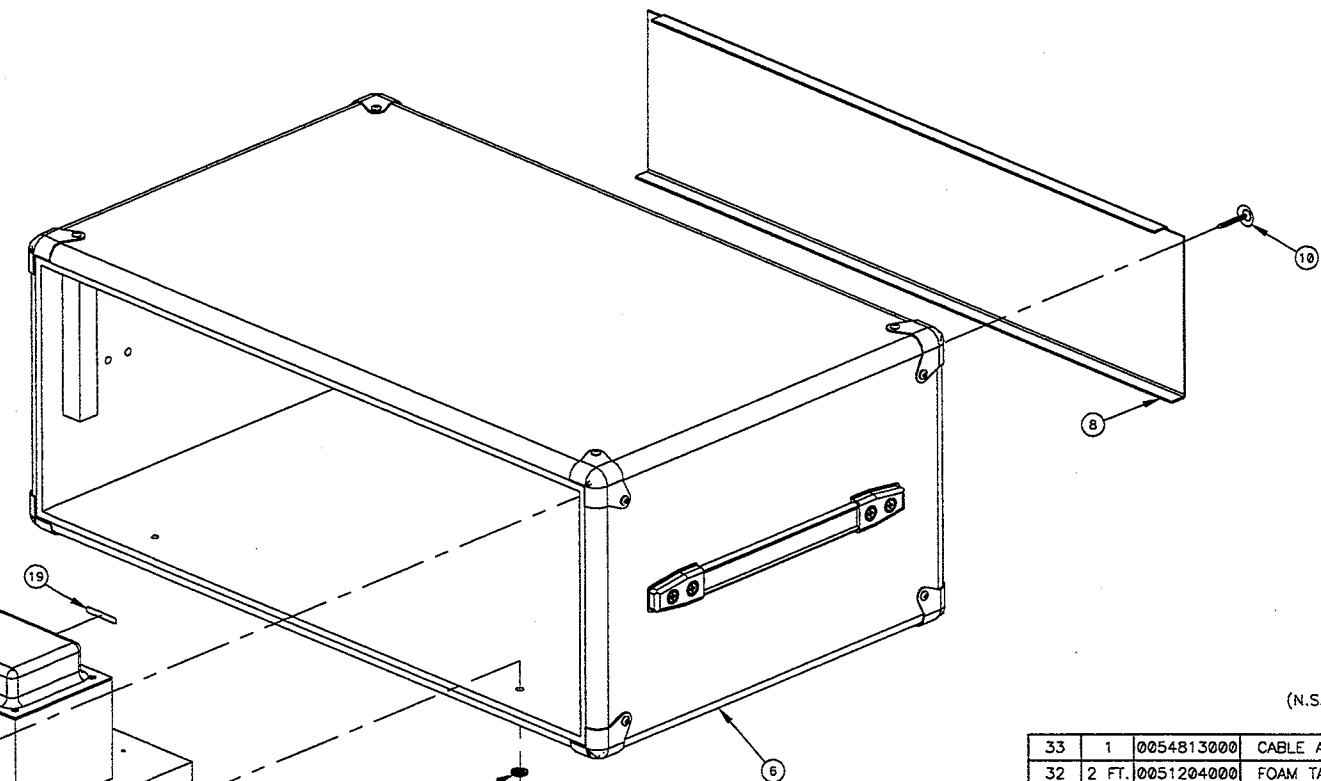
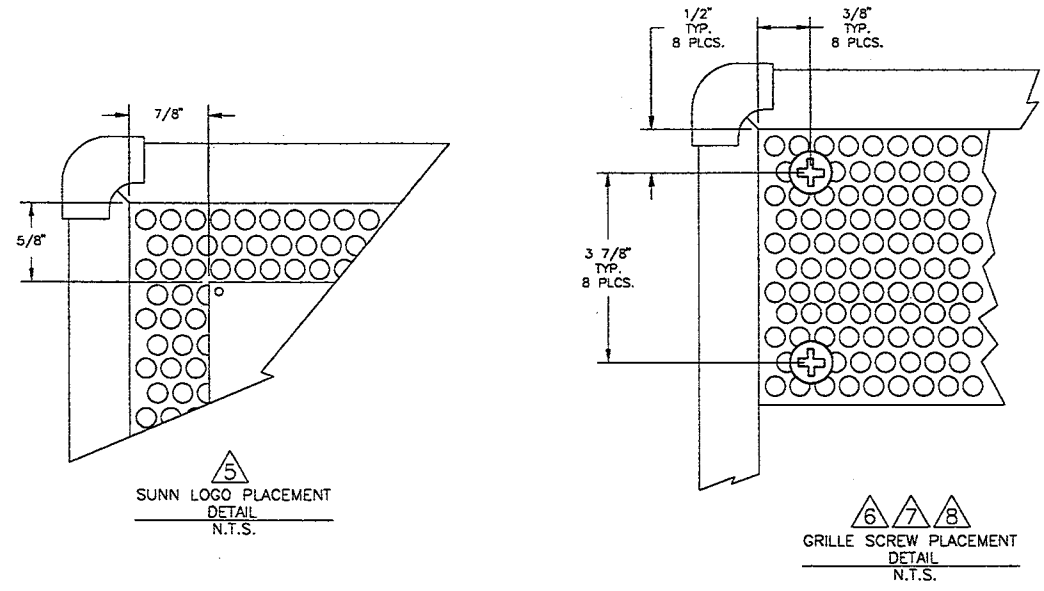
*Fender*  
FENDER MUSICAL INSTRUMENTS CORP.  
CORONA, CALIFORNIA 91720

TITLE  
CHASSIS ASSEMBLY  
SUNN 300T

SHEET	SIZE	DRAWING NUMBER	REV.
1/1	D	0053932000	D
SCALE		MASTER/ASSEMBLY	
N/A			

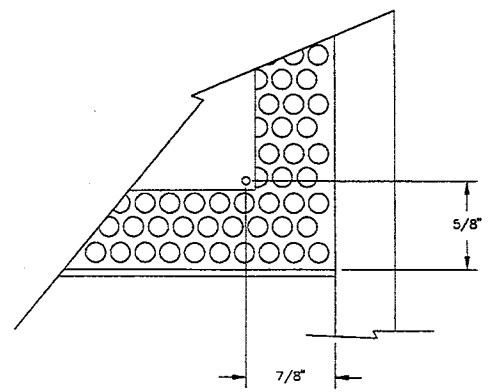
THIS DOCUMENT CONTAINS INFORMATION OF A PROPRIETARY NATURE TO FENDER MUSICAL INSTRUMENTS AND IS SUBMITTED TO YOU IN CONFIDENCE AND SHALL NOT BE DISCLOSED OR TRANSMITTED TO OTHERS WITHOUT AUTHORIZATION FROM FENDER MUSICAL INSTRUMENTS CORP.

REV	EC NUMBER	BY	DATE/WORK
A	PR 347	GHG	6/11/98
B	EC 2155	B.S.	8/19/98
C	CR 199 CHG BOM	JR	2/2/99



(N.S.) = NOT SHOWN

ITEM	QTY.	PART NO.	DESCRIPTION
33	1	0054813000	CABLE ASSY SPEAKER SUNN (N.S.)
32	2 FT.	0051204000	FOAM TAPE 1/4" 1/16 3M4516
31	1	0054382000	PLATE SUNN 300T
30	8	0017433000	SCRW M 6-32x3/8 PHP BLX
25	1	SEE MATRIX	CORD (N.S.)
24	1	0051380000	PLATE SUNN LOGO
23	8	0029527000	WSHR FNH 8-5/8 FLNGD BLX WX
22	8	0036199000	SCRW M 8-32x1-3/16 OHP BLX CP
21	1	0053939000	CARTON SUNN 300T (N.S.)
20	2	0054767000	FOAM END CAP SUNN 300T (N.S.)
19	1	0049081000	LABEL SERIAL (CORONA)
18	1	0010032000	BAG POLY BOX BTM 23x17x40 .002 (N.S.)
17	3	9903311400	BAG JIFFY #1 7-1/4x12 (N.S.)
16	1	9903320000	BAG POLY BOX ZIP 10x13 2M (N.S.)
15	1	0051944000	COMB SVC DIAG PCB SUNN 300T (N.S.)
14	1	0053937000	MANUAL OWNERS SUNN 300T (N.S.)
11	1	0053895000	FOOTSWITCH 3 BUTTON SUNN BASS (N.S.)
10	8	0036112000	SCRW SMAB 6x1-1/4 OHP BLX w/WS
9	8	0069393000	NUT 6-32 HEX EXT LOCK
8	1	0053598000	GRILLE REAR SUNN 300T
7	1	0053564000	GRILLE FRONT SUNN 300T
6	1	0051392000	CAB ASSY SUNN 300T
1	1	SEE MATRIX	CHASSIS



- △ 8. DISTANCE BETWEEN CHASSIS TOP AND REAR GRILLE 1/16".
  - △ 7. DISTANCE BETWEEN CHASSIS TOP AND FRONT GRILLE 1/16".
  - △ 6. LOCATE SCREWS AS HOLES WILL PERMIT.
  - △ 5. LOCATE LOGOS AS HOLES WILL PERMIT.
  - 4. COPYRIGHT - 1999 - FENDER MUSICAL INSTRUMENTS CORP.
  - 3. - 3 - SAMPLES OF FIRST PARTS MUST BE APPROVED BY FENDER R&D BEFORE STARTING PRODUCTION.
  - 2. ALL DIMENSIONS ARE IN INCHES.
  - 1. DO NOT SCALE DRAWING.
- NOTES: UNLESS OTHERWISE NOTED

END ITEM	SUNN 300T 120V DOM. 0213302000	SUNN 300T 240V AUST. 0213332000	SUNN 300T 230V U.K. 0213342000	SUNN 300T 230V 0213362000	SUNN 300T 100V JAP. 0213372000
25 CORD	0047248000	0047250000	0047249000	0047251000	0053997000
1 CHASSIS	0053932000	0053933000	0053935000	0053935000	0053936000

ENGINEER WILKENS  
DRAWN GOOLER  
DATE 5/21/98  
DFT/ENG. DATE DATE DATE  
DATE DATE DATE  
DATE DATE DATE

Fender  
FENDER MUSICAL INSTRUMENTS CORP.  
CORONA, CALIFORNIA 91720

TITLE  
END ITEM  
SUNN 300T

SHEET 1/1  
SCALE N/A

DRAWING NUMBER 0213302000  
MASTER

REV. C