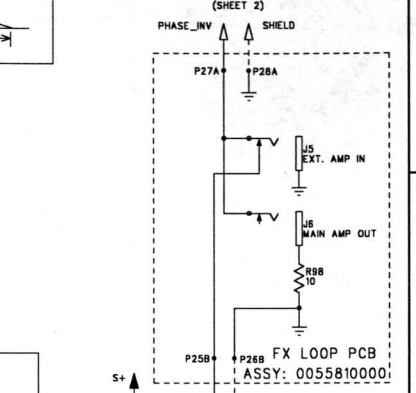
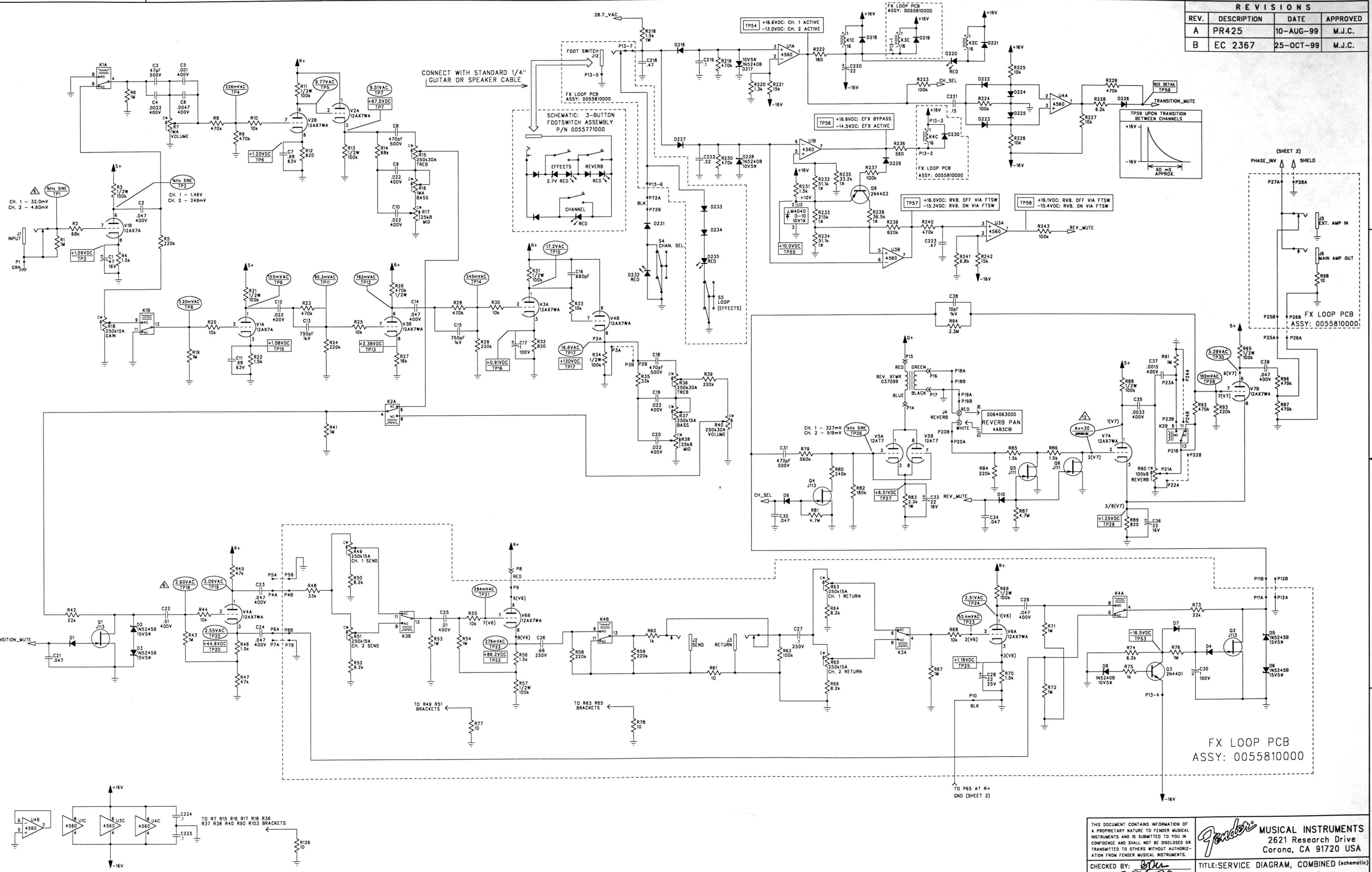


REVISIONS			
REV.	DESCRIPTION	DATE	APPROVED
A	PR425	10-AUG-99	M.J.C.
B	EC 2367	25-OCT-99	M.J.C.

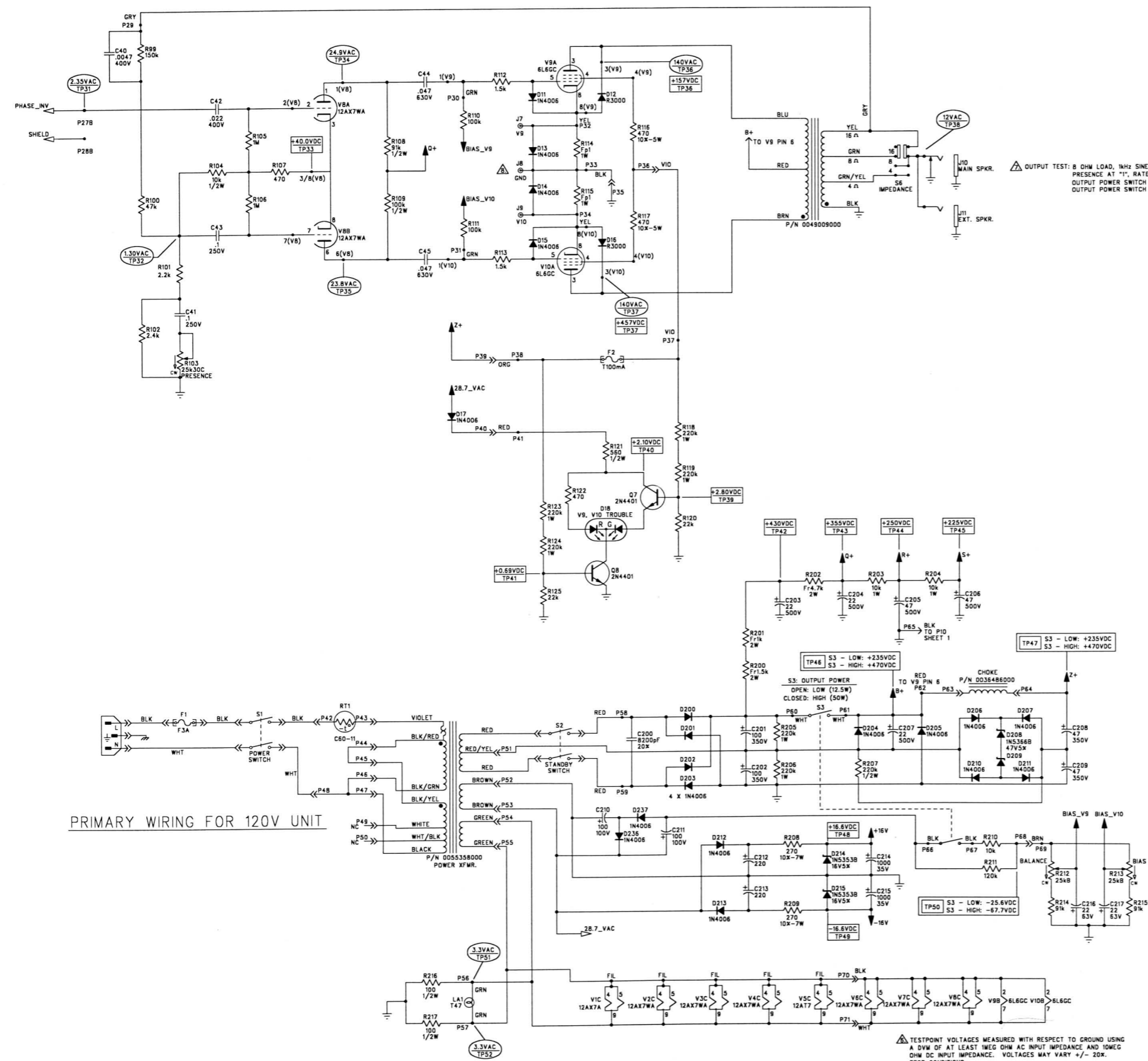


FX LOOP PCB
ASSY: 0055810000

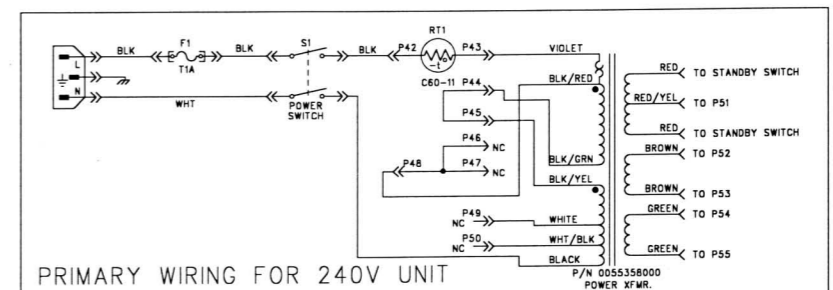
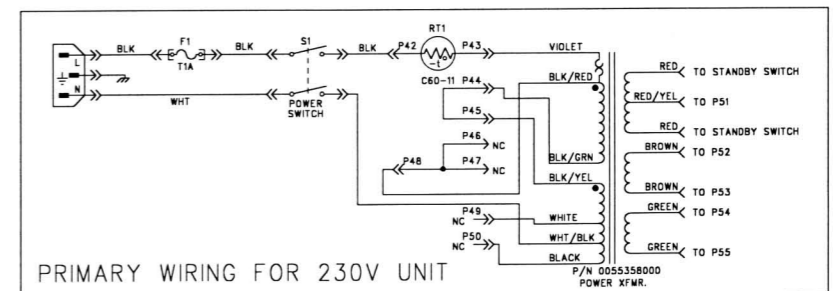
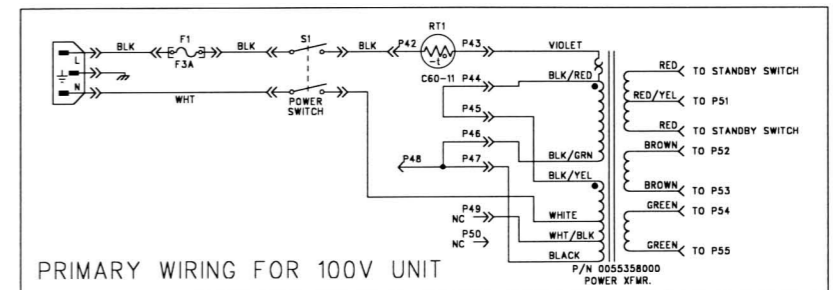
THIS DOCUMENT CONTAINS INFORMATION OF A PROPRIETARY NATURE TO FENDER MUSICAL INSTRUMENTS AND IS SUBMITTED TO YOU IN CONFIDENCE AND SHALL NOT BE DISCLOSED OR TRANSMITTED TO OTHERS WITHOUT AUTHORIZATION FROM FENDER MUSICAL INSTRUMENTS.			
CHECKED BY: <i>MS</i>		TITLE: SERVICE DIAGRAM, COMBINED (schematic)	
DATE: 25-OCT-99		SUNN T50C	
APPROVED BY: <i>MS</i>		SIZE: DRAWING NUMBER	
DATE: 10-22-99		D 0055375000	
DRAWN: M. COZZA		ENGR: M. COZZA	
DATABASE FILE: 24255.SCH		RELEASE DATE: 11-AUG-99	
		SHEET: 1 OF 4	

NOTES: SEE PAGE 2

REVISIONS			
REV.	DESCRIPTION	DATE	APPROVED
A	PR425	10-AUG-99	M.J.C.
B	EC 2367	25-OCT-99	M.J.C.



OUTPUT TEST: 8 OHM LOAD, 1KHZ SINE AT EXT. AMP IN JACK J5, PRESENCE AT "I", RATED LINE VOLTAGE AT POWER XFMR PRIMARY. OUTPUT POWER SWITCH S3 HIGH: INPUT=4.0VAC - OUTPUT=20.00VAC 4 A IMPEDANCE. OUTPUT POWER SWITCH S3 LOW: INPUT=1.735VAC - OUTPUT=10.00VAC



PRIMARY WIRING FOR 120V UNIT

- THIS SCHEMATIC IS FOR PCB FABRICATIONS P/N 0055364000 AND 0055809000, AND PCB ASSEMBLIES P/N 0055365000 AND 0055810000.
- ALL DIODES ARE IN4448.
- ALL POLARIZED CAPACITORS IN uF, 20%; 50V MINIMUM.
- ALL UNPOLARIZED CAPACITORS IN uF, 10% OR BETTER; 50V MINIMUM. (POWER SUPPLY BYPASS CAPACITORS ARE 20%).
- ALL RESISTORS IN OHMS, 5%; 1/4W.

TESTPOINT VOLTAGES MEASURED WITH RESPECT TO GROUND USING A DVM OF AT LEAST 1MEG OHM AC INPUT IMPEDANCE AND 10MEG OHM DC INPUT IMPEDANCE. VOLTAGES MAY VARY +/- 20%.

TEST CONDITIONS:
UNIT AT RATED LINE VOLTAGE.
ALL CONTROLS SET TO "5" (90° ROTATION) EXCEPT CH. 1 VOL. AT "3", CH. 2 GAIN AT "2", CH. 3 VOL. AT "9", REVERB AT "I", PRESENCE AT "I", EFFECTS LOOP ENGAGED, LOOP CONTROLS SET FOR UNITY GAIN (APPROX. "5-1/2").
BIAS SET FOR 30mV PER TUBE. SEE NOTE B.
ALL DC VOLTAGES MEASURED WITH NO INPUT SIGNAL.
ALL AC VOLTAGES MEASURED WITH INPUT SIGNALS NORMALIZED TO PRODUCE 2.80V AT TP18 WHICH PRODUCES 12.0Vrms INTO AN 8 OHM RESISTIVE LOAD AT TP38. PCB'S CONNECTED TOGETHER VIA RIBBON CABLE/HEADER P13.

THIS DOCUMENT CONTAINS INFORMATION OF A PROPRIETARY NATURE TO FENDER MUSICAL INSTRUMENTS AND IS SUBMITTED TO YOU IN CONFIDENCE AND SHALL NOT BE DISCLOSED OR TRANSMITTED TO OTHERS WITHOUT AUTHORIZATION FROM FENDER MUSICAL INSTRUMENTS.

CHECKED BY: *MS*
DATE: 25-OCT-99

APPROVED BY: *MS*
DATE: 10-22-99

DRAWN: M. COZZA ENGR: M. COZZA
DATABASE FILE: Z4255.SCH

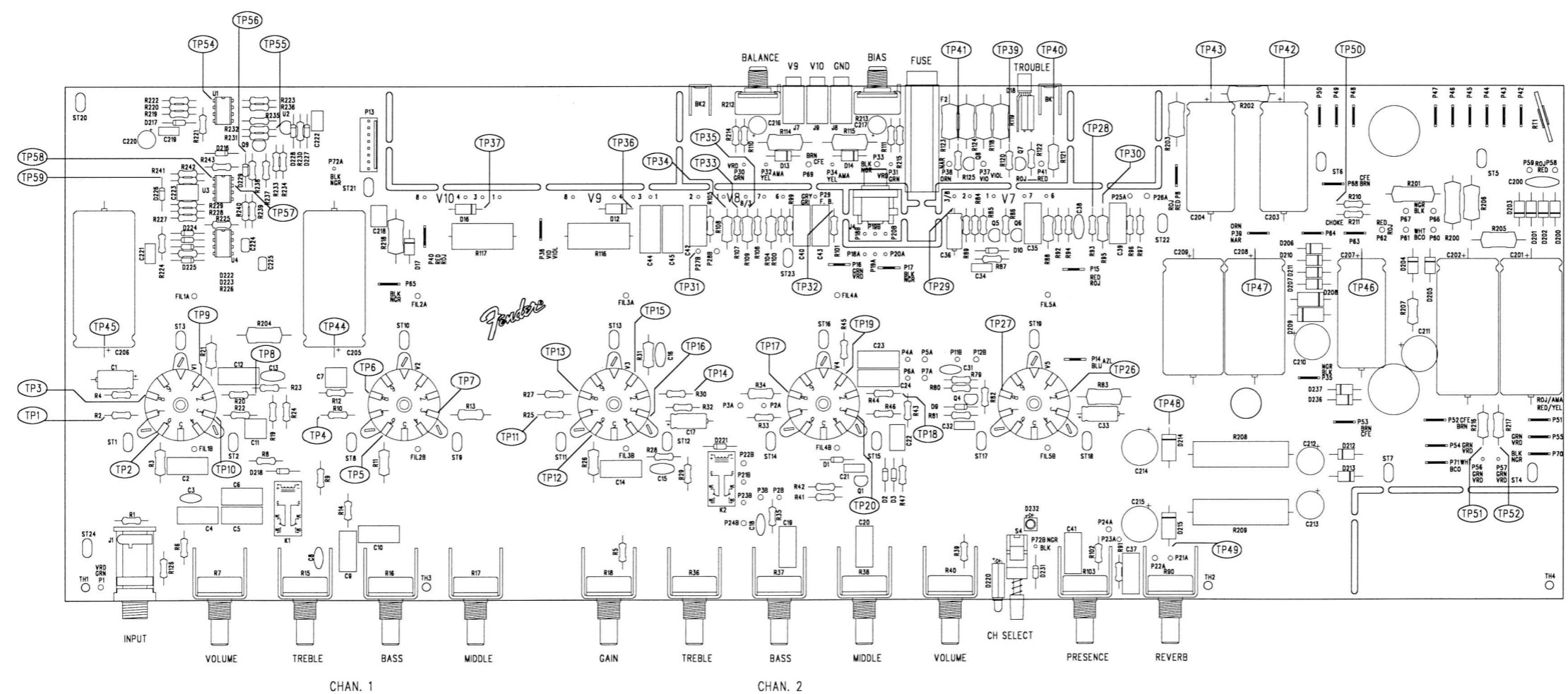
Fender MUSICAL INSTRUMENTS
2621 Research Drive
Corona, CA 91720 USA

TITLE: SERVICE DIAGRAM, COMBINED (schematic)
SUNN T50C

SIZE: D DRAWING NUMBER: 0055375000 REV. B

RELEASE DATE: 11-AUG-99 SHEET: 2 OF 4

REVISIONS			
REV.	DESCRIPTION	DATE	APPROVED
A	PR 425	10-AUG-99	M.J.C.
B	EC 2367	25-OCT-99	M.J.C.



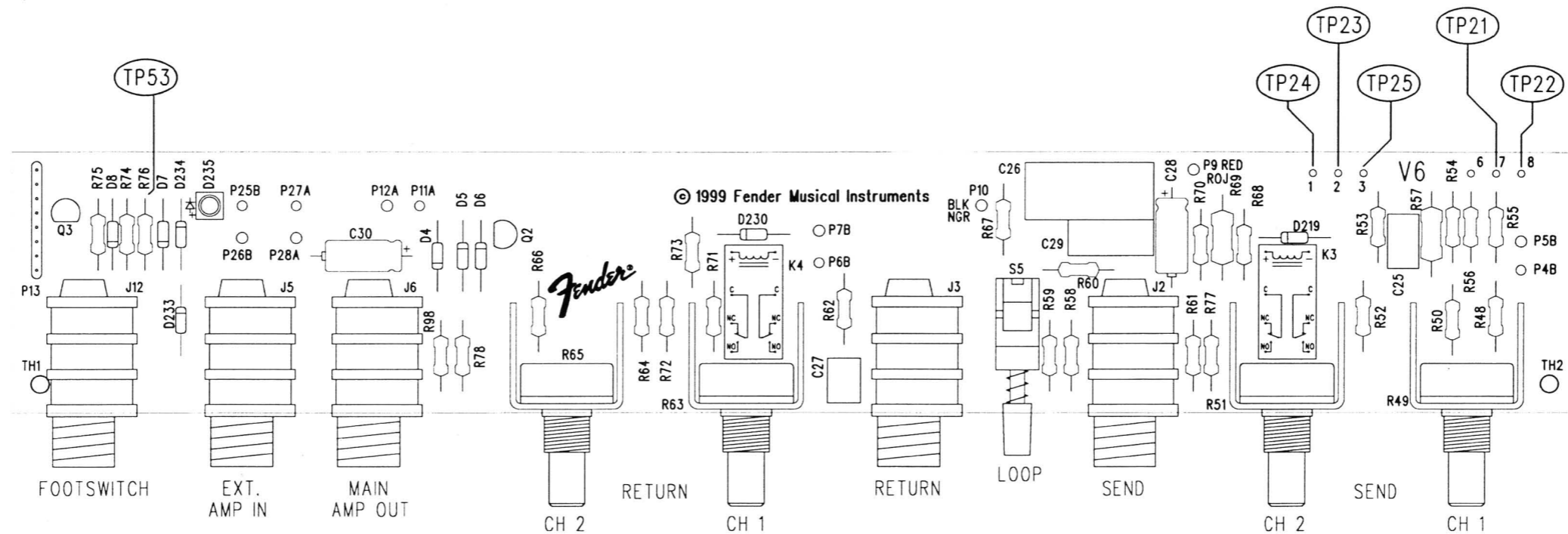
FILM/DWG: SERVICE DIAGRAM
 DATABASE: Z42SP1.PCB DATE: 10-AUG-99

- SEE SHEET 2 FOR PRIMARY WIRING, TEST CONDITIONS, AND TEST POINT VALUES.
- (TP21) THROUGH (TP25) AND (TP53) SHOWN ON SHEET 4.
- (TP38) NOT SHOWN. (TP38) AT OUTPUT JACK J10.
- WIRES NOT SHOWN FOR CLARITY.
- PCB SHOWN AS FABRICATED BEFORE BREAKAWAY IS PLACED IN CHASSIS.

NOTES: (UNLESS OTHERWISE NOTED)

THIS DOCUMENT CONTAINS INFORMATION OF A PROPRIETARY NATURE TO FENDER MUSICAL INSTRUMENTS AND IS SUBMITTED TO YOU IN CONFIDENCE AND SHALL NOT BE DISCLOSED OR TRANSMITTED TO OTHERS WITHOUT AUTHORIZATION FROM FENDER MUSICAL INSTRUMENTS.		MUSICAL INSTRUMENTS 2621 Research Drive Corona, CA 91720 USA
CHECKED BY: <u>VBK</u> DATE: <u>25.00.99</u> APPROVED BY: <u>MS</u> DATE: <u>10.22.99</u> DRAWN: M. COZZA ENGR: M. COZZA DATABASE FILE: Z42SP1.PCB		
TITLE: SERVICE DIAGRAM, COMBINED (PCB assy) SUNN T50C		
SIZE: D	DRAWING NUMBER: 0055375000	REV.: B
RELEASE DATE: 11-AUG-99		SHEET 3 OF 4


REVISIONS			
REV.	DESCRIPTION	DATE	APPROVED
A	PR 425	10-AUG-99	M.J.C.
B	EC 2367	25-OCT-99	M.J.C.



FILM/DWG: SERVICE DIAGRAM
 DATABASE: Z425P2.PCB DATE: 10-AUG-99

3. SEE SHEET 2 FOR PRIMARY WIRING, TEST CONDITIONS, AND TEST POINT VALUES.
2. ALL OTHER TEST POINTS SHOWN ON SHEET 3 EXCEPT TP38, TP38 AT OUTPUT JACK J10.
1. WIRES NOT SHOWN FOR CLARITY.

NOTES: (UNLESS OTHERWISE NOTED)

THIS DOCUMENT CONTAINS INFORMATION OF A PROPRIETARY NATURE TO FENDER MUSICAL INSTRUMENTS AND IS SUBMITTED TO YOU IN CONFIDENCE AND SHALL NOT BE DISCLOSED OR TRANSMITTED TO OTHERS WITHOUT AUTHORIZATION FROM FENDER MUSICAL INSTRUMENTS.		 MUSICAL INSTRUMENTS 2621 Research Drive Corona, CA 91720 USA	
CHECKED BY: <u>Blair</u> DATE: <u>25 OCT 99</u>		TITLE: SERVICE DIAGRAM, COMBINED (PCB assy) SUNN T50C	
APPROVED BY: <u>MS</u> DATE: <u>10-22-99</u>		SIZE B	DRAWING NUMBER 0055375000
DRAWN: M. COZZA ENGR: M. COZZA		RELEASE DATE: 11-AUG-99	REV. B
DATABASE FILE: Z425P2.PCB		SHEET 4 OF 4	SHEET 4 OF 4