



FENDER MUSICAL INSTRUMENTS
 1130 Columbia Street
 Brea, California 92621

TECHNICAL SERVICE BULLETIN
 NOVEMBER 19, 1986
 REVISED 3/19/87
 PAGE 1 OF 2

FIELD CHANGE NOTICE 6-004

EFFECTIVITY:

SUNN part number 9909971-500 SX4150 powered mixers, early production.

REASON FOR CHANGE:

To improve reliability by increasing thermal stability.

MATERIAL REQUIRED:

- (2) 990-15-1331-0 resistor, WW, 330 ohm, 5W, 10%
- (1) 990-11-2302-0 resistor, CF, 3K ohm, 1/4W, 5%
- (2) 990-11-4122-0 resistor, MF, 120K ohm, 1/4W, 5%
- (2) 990-11-2122-0 resistor, CF, 1.2K ohm, 1/4W, 5%
- (6) 990-11-2392-0 resistor, CF, 3.9K ohm, 1/4W, 5%
- (6) 990-15-0011-0 resistor, WW, 1 ohm, 5W, 10%
- (1) 990-12-2472-0 resistor, CF, 4.7K ohm, 1/2W, 5%
- (7) 990-43-0076-0 insulator, mica
- (7) 990-43-0093-0 washer, nylon shoulder
- (7) 990-42-0018-0 nut, 4/40
- (7) 014174-000 screw, 4/40

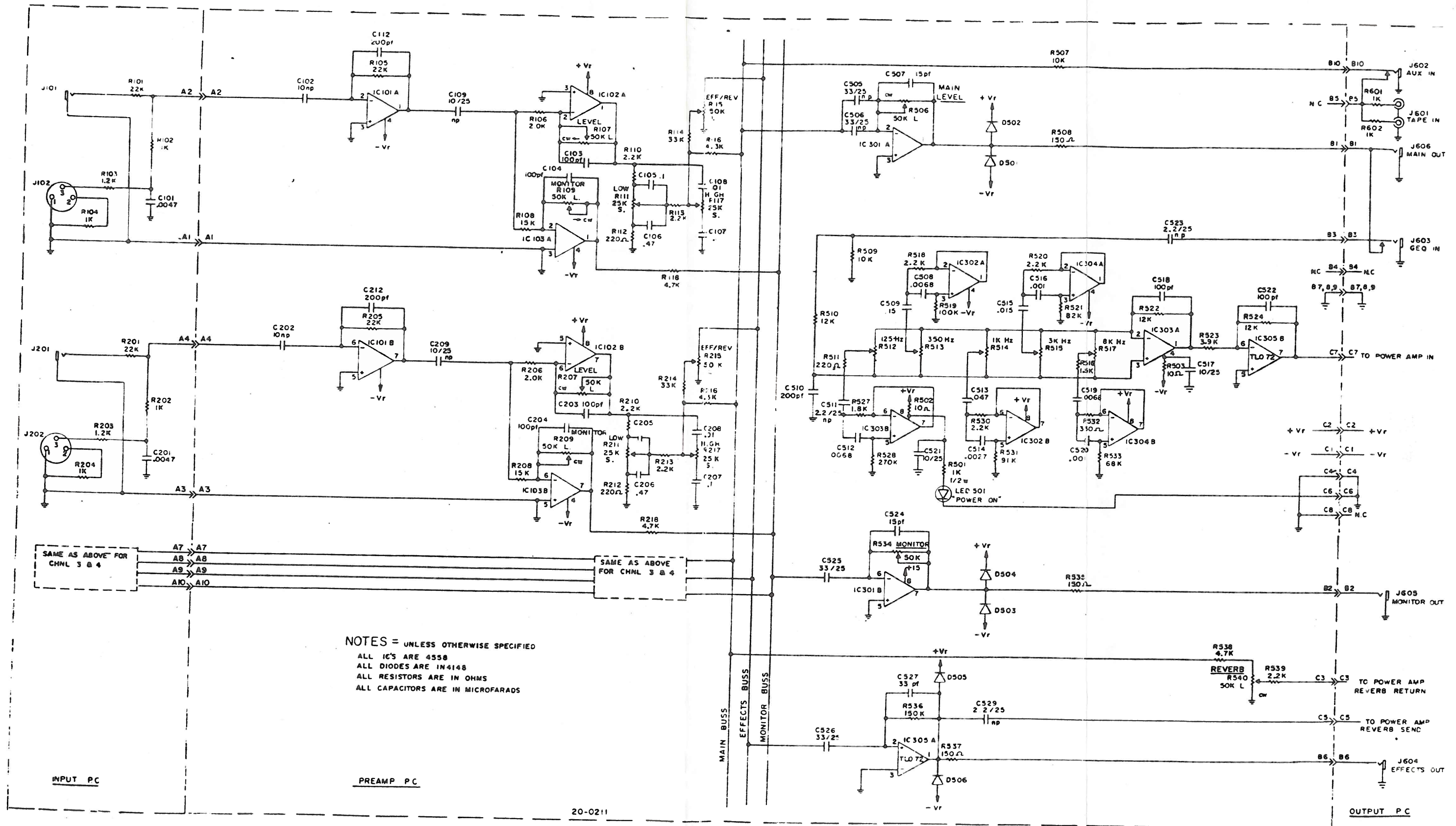
PARTS KIT:

Order parts kit KFC 6-004

MODIFICATION PROCEDURE:

Change each of the following resistors from the old value to the new value as shown below (20 resistors, all values in ohms):

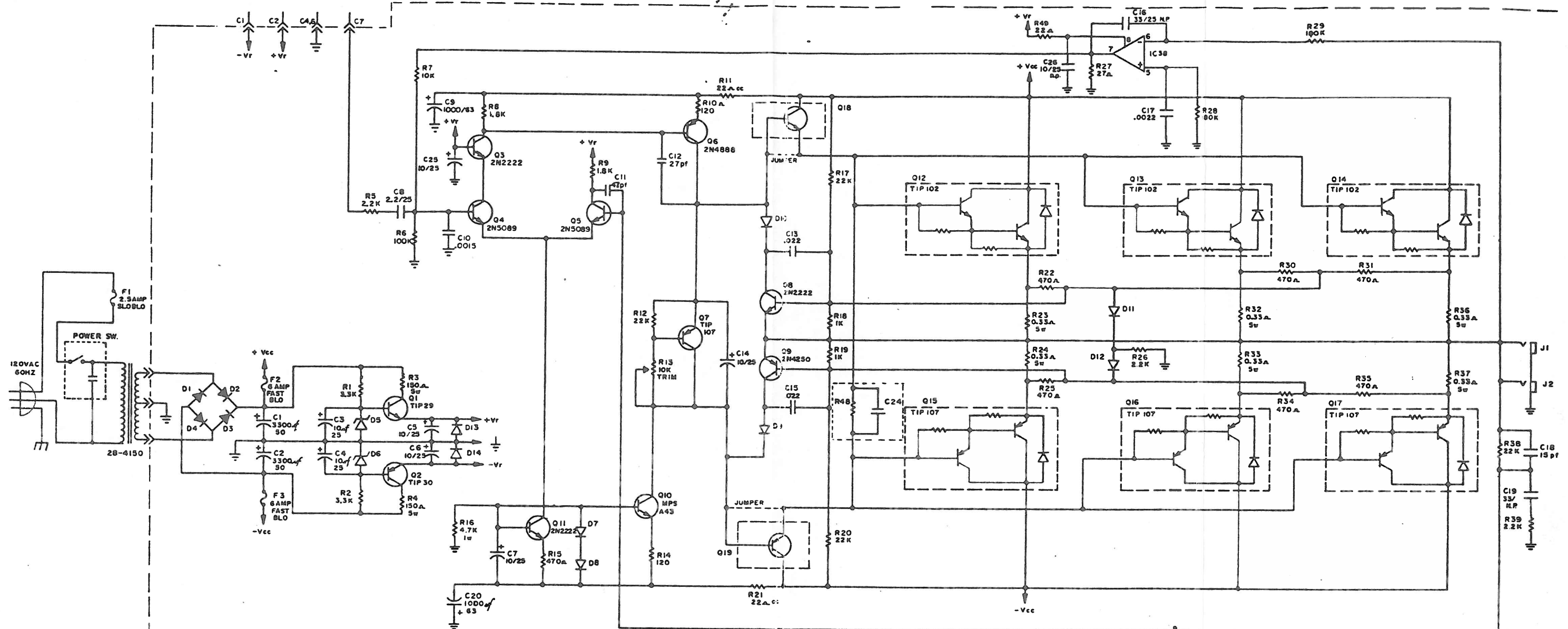
Reference Designation	Old Value	New Value
R3	150	330
R4	150	330
R12	22K	3K
R17	22K	120K
R18	1K	1.2K



NOTES = UNLESS OTHERWISE SPECIFIED
 ALL IC'S ARE 4558
 ALL DIODES ARE IN4148
 ALL RESISTORS ARE IN OHMS
 ALL CAPACITORS ARE IN MICROFARADS

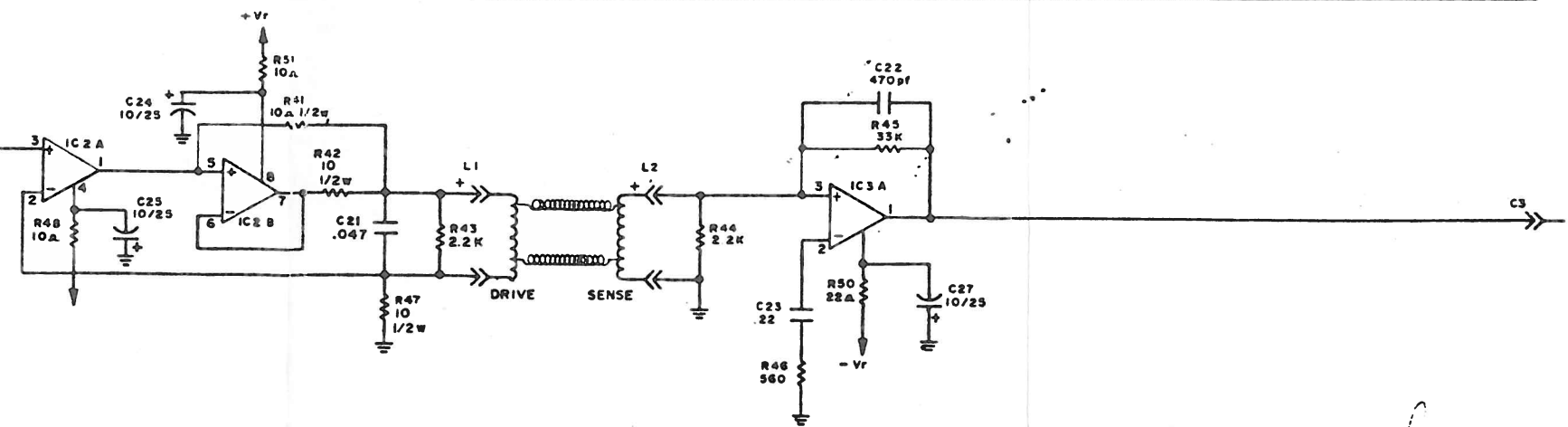
20-0211

SCHMATIC PREAMP
 SX 4150

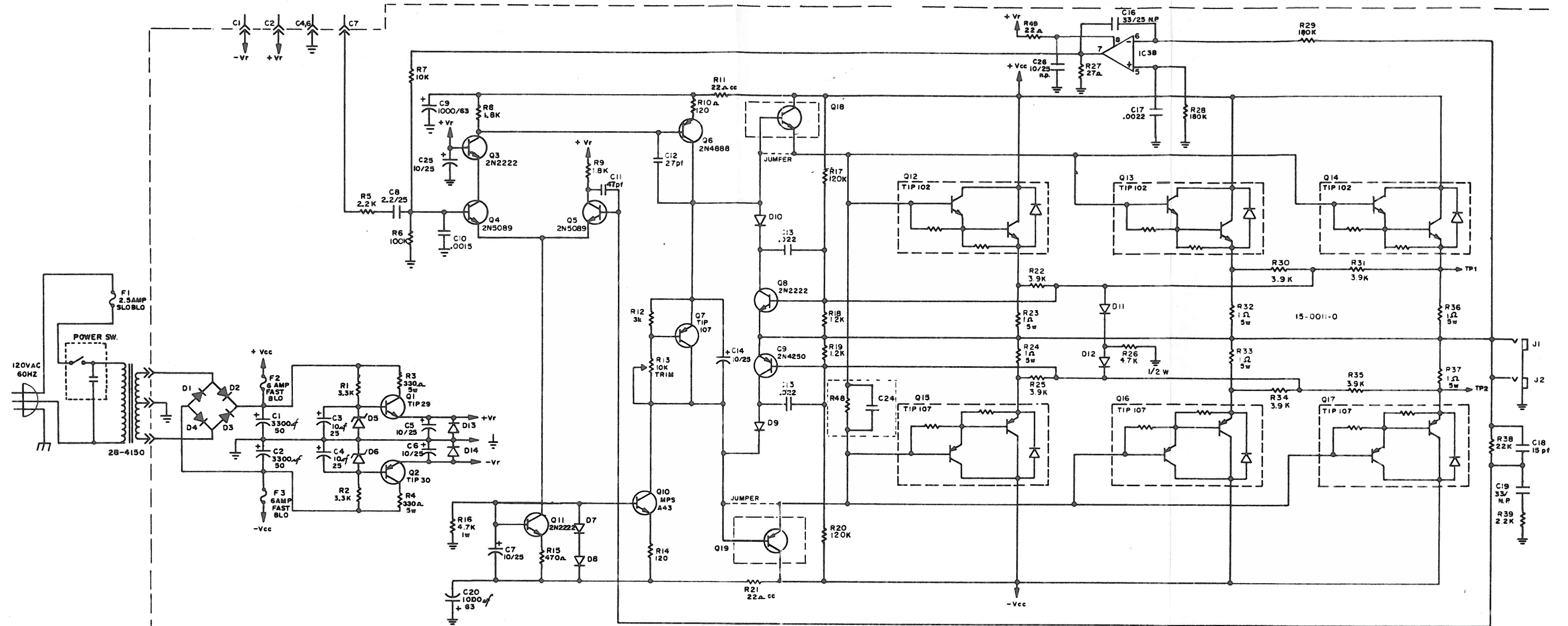


NOTES:

- UNLESS OTHERWISE SPECIFIED
- CAPACITORS ARE IN MICROFARADS
- RESISTORS ARE IN OHMS
- ALL ICs ARE 4558
- DIODES D1-D4 ARE 6A4
- DIODES D5-D6 ARE 1N4744
- DIODES D7-D14 ARE 1N4148



Old Style



NOTES:

- UNLESS OTHERWISE SPECIFIED
- CAPACITORS ARE IN MICROFARADS
- RESISTORS ARE IN OHMS
- ALL ICs ARE 4558
- DIODES D1-D4 ARE 6A4
- DIODES D5-D6 ARE 1N4744
- DIODES D7-D14 ARE 1N4148
- BIAS SETTING : WITH OUTPUT TRANSISTORS AT ROOM TEMPERATURE, ADJUST R13 FOR A VOLTAGE READING OF 10 MVDC BETWEEN TP1 AND TP2

