

REVISIONS				
ZONE	REV.	DESCRIPTION	DATE	APPROVED
	A	RELEASED, PR179	22-MAR-91	
	B	ECC # L02254	09-JUL-91	SH

- NOTES: UNLESS OTHERWISE SPECIFIED.
- ALL VOLTAGES READ TO GROUND WITH A D.V.M. UNDER THE FOLLOWING CONDITIONS:
 - 1.1 GRAPHIC EQUALIZER, LOW, MID, AND HIGH FREQUENCY CONTROLS AT CENTER TRAVEL / ROTATION.
 - 1.2 MAIN AND MONITOR REVERB AT MINIMUM.
 - 1.3 ALL OTHER CONTROLS AT MAXIMUM.
 - 1.4 A 1kHz, UNBALANCED INPUT AT J102.
 - ALL RESISTORS 1/4W, ± 5%
 - ALL CAPACITORS 63 VOLT MINIMUM.
 - LAST INSTANCE:
 - C43, CP1, CR2, J8, LD3, P5, R64, S2, U5.
 - CIRCUITRY WITHIN DASHED LINES IS IDENTICAL FOR EACH CHANNEL.
 - INSTANCE NAMES IN EACH CHANNEL ARE KEYED TO THE CHANNEL NUMBERS.

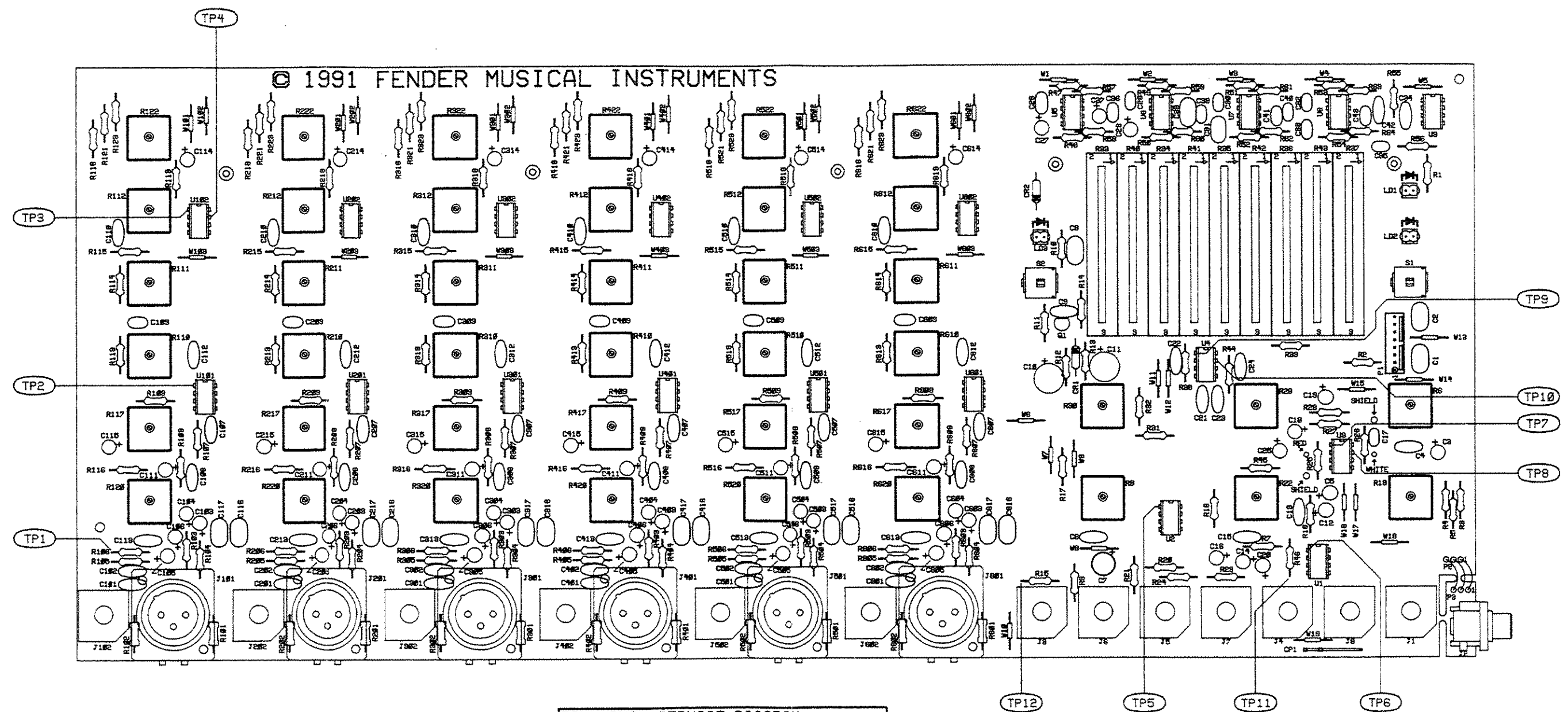
DATABASE FILE: SRP65.DBF CHECKED BY: SH DATE: 09/06/91 APPROVED: SH DATE: 09/06/91 TOLERANCES: X.X .05" X.XX .01" X.XXX .005" ANGLES .500"	PROPRIETARY THESE DRAWINGS OR ANY INFORMATION CONTAINED HEREIN IS THE PROPERTY OF FENDER MUSICAL INSTRUMENTS CO. NO PART MAY BE USED, REPRODUCED OR TRANSMITTED IN ANY MANNER WITHOUT THE EXPRESSED WRITTEN CONSENT OF FENDER. FENDER MUSICAL INSTRUMENTS CO. 1130 COLUMBIA ST. BREA, CALIFORNIA 92621 MADE IN U.S.A. NEXT HIGHER ASSEMBLY:	MUSICAL INSTRUMENTS 1130 Columbia Street Brea, Ca. 92621 TITLE: SCHEMATIC, PREAMP, SR6520P AND SR6520P. SIZE: D DRAWN: SCOTT H. CHECKED: SCOTT H. DRAWING NUMBER: 037830 REV: B CREATED: 7-NOV-90 PLOTTED: 09-JUL-91 SHEET 1 OF 1
--	--	---

PARTY NO. 0379860001 OF 1 SHEET

8 7 6 5 4 3 2 1

REVISIONS				
ZONE	REV.	DESCRIPTION	DATE	APPROVED
	A	RELEASED, PR179	22-MAR-91	SH

© 1991 FENDER MUSICAL INSTRUMENTS



FILM/DWG: SERVICE DIAGRAM
 DATABASE: SRP6PSE.DBF DATE: 19-MAR-91
 LAYERS PLOTTED: 1 2 3 4 10 15 19

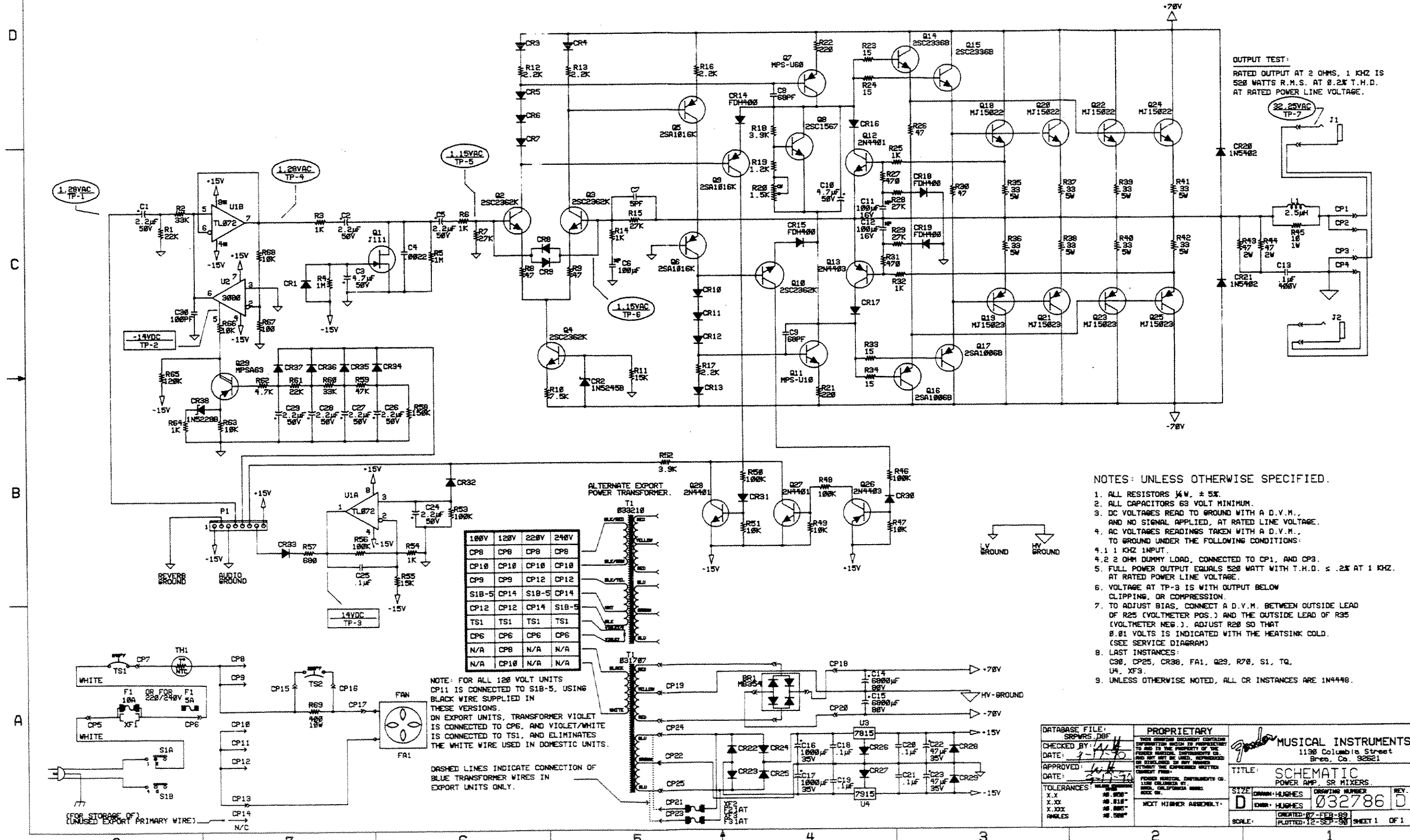
DATABASE FILE: SRP6PSE.DBF
 CHECKED BY: SH
 DATE: 19 MAR 91
 APPROVED: SH
 DATE: 19 MAR 91
 TOLERANCES: UNLESS OTHERWISE NOTED
 X.X ±0.050"
 X.XX ±0.010"
 X.XXX ±0.005"
 ANGLES ±0.500°

PROPRIETARY
 THIS DRAWING DOCUMENT CONTAINS INFORMATION WHICH IS PROPRIETARY TO AND IS THE PROPERTY OF THE FENDER MUSICAL INSTRUMENTS CO. AND MAY NOT BE USED, REPRODUCED OR DISCLOSED IN ANY MANNER WITHOUT THE EXPRESSED WRITTEN CONSENT FROM:
 FENDER MUSICAL INSTRUMENTS CO.
 1128 COLLEEN ST.
 BRECA, CALIFORNIA 92621
 ROCK ON. "ROCK YOURSELF OUT"
 NEXT HIGHER ASSEMBLY:

Fender MUSICAL INSTRUMENTS
 1130 Columbia Street
 Brea, Ca. 92621
 TITLE: SERVICE DIAGRAM, SR6520P PREAMP P.C.B.
 SIZE: B
 DRAWN: SCOTT H.
 ENGR: SCOTT H.
 DRAWING NUMBER: 037987
 REV: A
 CREATED: 19-NOV-90
 PLOTTED: 19-MAR-91
 SCALE: SHEET 1 OF 1

8 7 6 5 4 3 2 1

REVISIONS				
ZONE	REV.	DESCRIPTION	DATE	APPROVED
	A	RELEASED PR#12	2-JUNE-89	[Signature]
	B	EC#184	5-JULY-89	[Signature]
	C	EC#338	11-NOV-89	[Signature]
	D	EC# L02862	18-SEPT-98	[Signature]



OUTPUT TEST:
 RATED OUTPUT AT 2 OHMS, 1 KHZ IS
 520 WATTS R.M.S. AT 0.2% T.H.D.
 AT RATED POWER LINE VOLTAGE.

- NOTES: UNLESS OTHERWISE SPECIFIED.
1. ALL RESISTORS 1/4W. ± 5%.
 2. ALL CAPACITORS 63 VOLT MINIMUM.
 3. DC VOLTAGES READ TO GROUND WITH A D.V.M., AND NO SIGNAL APPLIED, AT RATED LINE VOLTAGE.
 4. AC VOLTAGE READINGS TAKEN WITH A D.V.M., TO GROUND UNDER THE FOLLOWING CONDITIONS:
 - 4.1 1 KHZ INPUT.
 - 4.2 2 OHM DUMMY LOAD, CONNECTED TO CP1, AND CP3.
 5. FULL POWER OUTPUT EQUALS 520 WATT WITH T.H.D. ≤ .2% AT 1 KHZ, AT RATED POWER LINE VOLTAGE.
 6. VOLTAGE AT TP-3 IS WITH OUTPUT BELOW CLIPPING, OR COMPRESSION.
 7. TO ADJUST BIAS, CONNECT A D.V.M. BETWEEN OUTSIDE LEAD OF R25 (VOLTMETER POS.) AND THE OUTSIDE LEAD OF R35 (VOLTMETER NEG.). ADJUST R28 SO THAT 0.01 VOLTS IS INDICATED WITH THE HEATSINK COLD. (SEE SERVICE DIAGRAM)
 8. LAST INSTANCES: C38, CP25, CR38, FA1, Q29, R78, S1, TQ, U4, XF3.
 9. UNLESS OTHERWISE NOTED, ALL CR INSTANCES ARE 1N4448.

100V	120V	220V	240V
CP8	CP8	CP8	CP8
CP18	CP18	CP18	CP18
CP9	CP9	CP12	CP12
S1B-5	CP14	S1B-5	CP14
CP12	CP12	CP14	S1B-5
TS1	TS1	TS1	TS1
CP6	CP6	N/A	N/A
N/A	CP8	N/A	N/A
N/A	CP18	N/A	N/A

NOTE: FOR ALL 120 VOLT UNITS CP11 IS CONNECTED TO S1B-5, USING BLACK WIRE SUPPLIED IN THESE VERSIONS. ON EXPORT UNITS, TRANSFORMER VIOLET IS CONNECTED TO CP6, AND VIOLET/WHITE IS CONNECTED TO TS1, AND ELIMINATES THE WHITE WIRE USED IN DOMESTIC UNITS.

DASHED LINES INDICATE CONNECTION OF BLUE TRANSFORMER WIRES IN EXPORT UNITS ONLY.

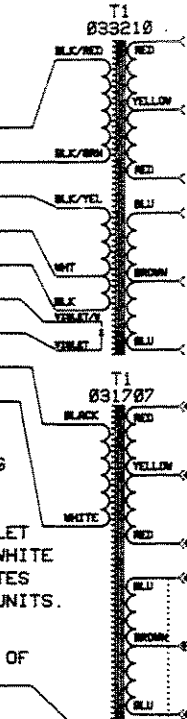
DATABASE FILE: SPMVRS.DBF CHECKED BY: [Signature] DATE: 1-15-90 APPROVED: [Signature] DATE: 2-1-90 TOLERANCES: .XX .5% .XX .1% .XX .05% .XX .02% .XX .01%	PROPRIETARY THIS DOCUMENT CONTAINS INFORMATION WHICH IS PROPRIETARY TO AND IS THE PROPERTY OF MUSICAL INSTRUMENTS. IT IS TO BE KEPT CONFIDENTIAL AND NOT BE LOANED, REPRODUCED OR OTHERWISE MADE PUBLIC IN ANY MANNER WITHOUT THE WRITTEN CONSENT FROM MUSICAL INSTRUMENTS CO. USE OF THIS DOCUMENT BY ANY OTHER PERSON IS PROHIBITED. MUSICAL INSTRUMENTS 1138 Columbia Street Brea, Ca. 92621 TITLE: SCHEMATIC POWER AMP, DR MIXERS. SIZE: D DRAWN: HUGHES CHECKED: HUGHES PART NO: 0033321000 SHEET 1 OF 1
--	--

PART NO 0033321000 SHEET 1 OF 1

REVISIONS				
ZONE	REV.	DESCRIPTION	DATE	APPROVED
	A	RELEASED PR#112	5-25-89	
	B	EC#484	7-5-89	
	C	ECO# L02062	9-11-90	

100V	120V	220V	240V
CP8	CP8	CP8	CP8
CP10	CP10	CP10	CP10
CP9	CP9	CP12	CP12
S1B-5	CP14	S1B-5	CP14
CP12	CP12	CP14	S1B-5
TS1	TS1	TS1	TS1
CP6	CP6	CP6	CP6
N/A	CP8	N/A	N/A
N/A	CP10	N/A	N/A

ALTERNATE EXPORT POWER TRANSFORMER.



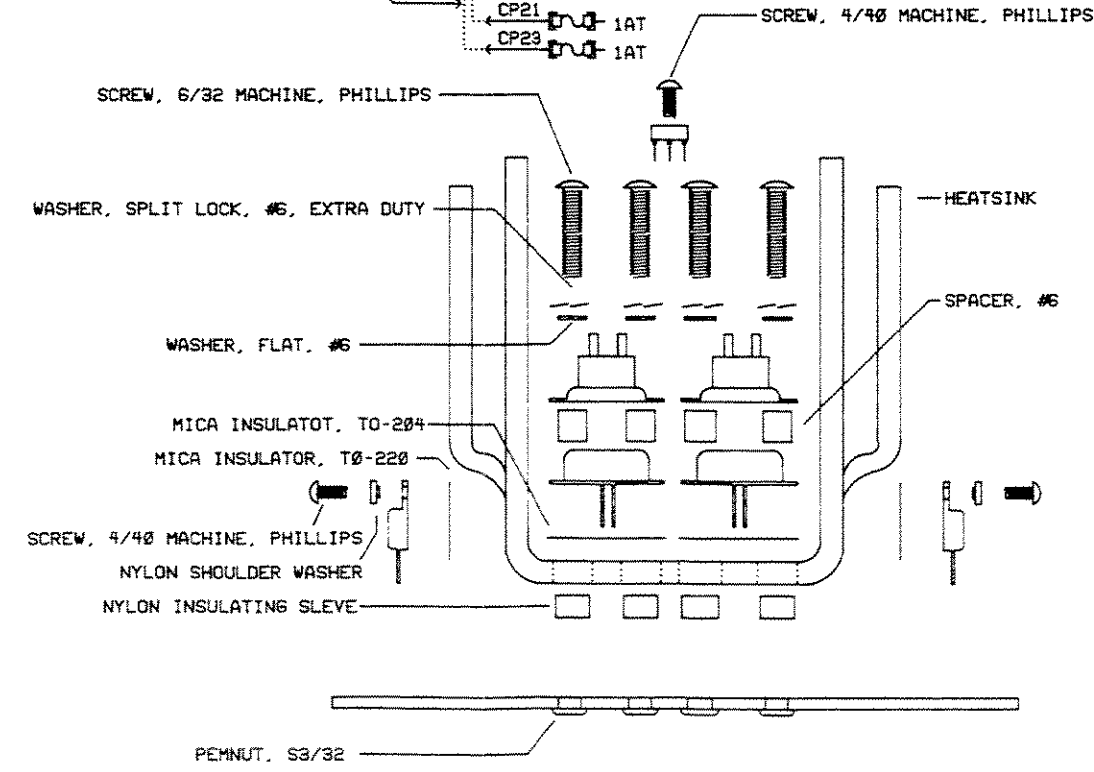
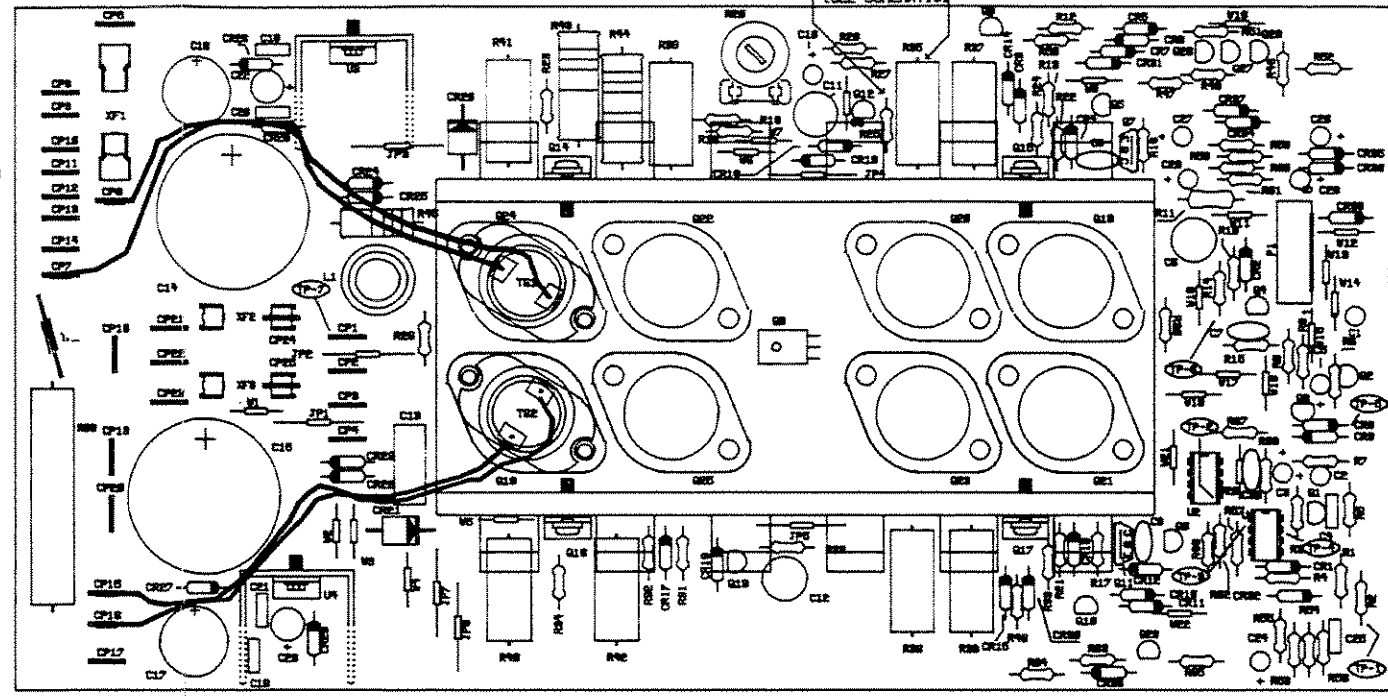
ASSEMBLY NOTES:

- ASSUME ALL "CP" AND "XF" INSTANCES ARE INSTALLED WITH THE FOLLOWING EXCEPTIONS:
 - ON EXPORT UNITS, DELETE CP24 AND CP25.
 - ON DOMESTIC UNITS, DELETE CP9, CP12, CP14, CP21, CP23, XF2, AND XF3.
- WIRE SETS:

ON EXPORT UNITS, WIRES FROM TS-1 ARE REPLACED BY A SINGLE A SINGLE WIRE BETWEEN ONE TERMINAL OF TS1 AND CP7. CONNECTION OF THE REMAINING TERMINAL OF TS1 AND CP6 IS ACCOMPLISHED WITH THE VIOLET AND VIOLET/WHITE LEADS INCLUDED ON EXPORT TRANSFORMER Ø33210.

NOTE: FOR ALL 120 VOLT UNITS CP11 IS CONNECTED TO S1B-5, USING BLACK WIRE SUPPLIED IN THESE VERSIONS. ON EXPORT UNITS, TRANSFORMER VIOLET IS CONNECTED TO CP6, AND VIOLET/WHITE IS CONNECTED TO TS1, AND ELIMINATES THE WHITE WIRE USED IN DOMESTIC UNITS.

DASHED LINES INDICATE CONNECTION OF BLUE TRANSFORMER WIRES IN EXPORT UNITS ONLY.



REF. DES.	ITEM QTY	PART NO.	DESCRIPTION
DATABASE FILE: SRPWRP.DBF		PROPRIETARY	
CHECKED BY: [Signature]		THIS DRAWING DOCUMENT CONTAINS INFORMATION WHICH IS PROPRIETARY TO AND IS THE PROPERTY OF THE FENDER MUSICAL INSTRUMENTS CO. AND MAY NOT BE USED, REPRODUCED OR DISCLOSED IN ANY MANNER WITHOUT THE EXPRESSED WRITTEN CONSENT FROM:	
DATE: 5-27-89		FENDER MUSICAL INSTRUMENTS CO. 1130 COLUMBIA ST. BREA, CALIFORNIA 92621	
APPROVED: [Signature]		TITLE: SERVICE DIAGRAM	
DATE: 5-27-89		520 WATT SR POWER AMPLIFIERS.	
TOLERANCES: UNLESS OTHERWISE SPECIFIED		SIZE: B	DRAWING NUMBER: Ø33325
X.X	±0.050"	DRWN: HUGHES	REV. C
X.XX	±0.010"	ENGR: HUGHES	
X.XXX	±0.005"		
ANGLES	±0.500°		
NEXT HIGHER ASSEMBLY: SUNN SR6520		SCALE:	DATE: 6-1-89 SHEET 1 OF 1