

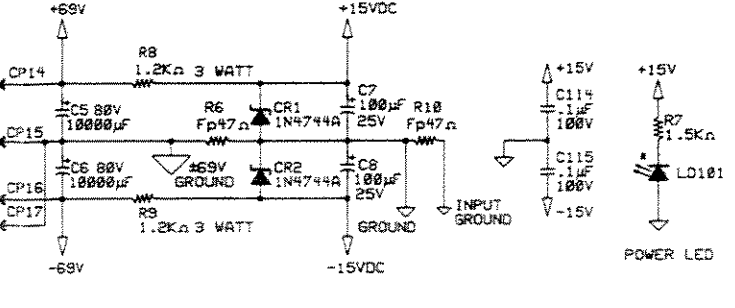
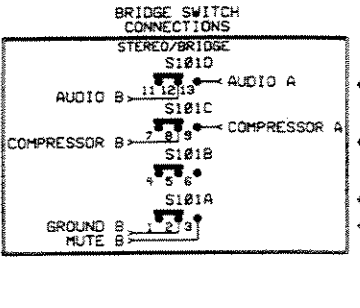
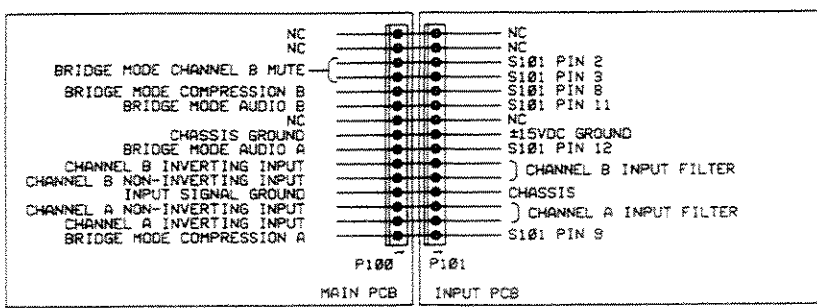
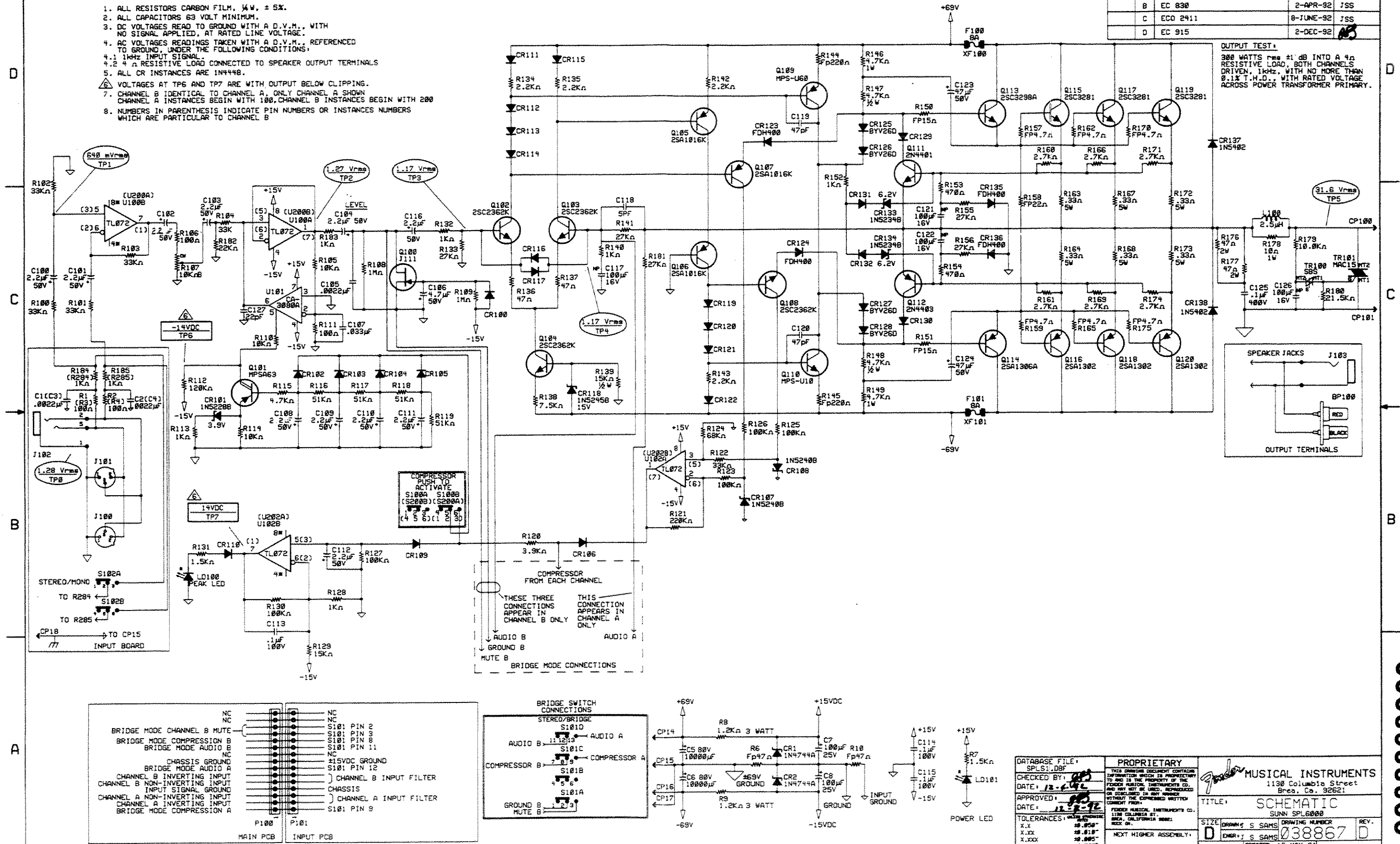
REVISIONS

ZONE	REV.	DESCRIPTION	DATE	APPROVED
	A	PRODUCT RELEASE PR200	21-FEB-92	JSS
	B	EC 830	2-APR-92	JSS
	C	ECO 2411	8-JUNE-92	JSS
	D	EC 915	2-DEC-92	JSS

NOTES: UNLESS OTHERWISE SPECIFIED.

- ALL RESISTORS CARBON FILM, 1/4W, ± 5%.
- ALL CAPACITORS 63 VOLT MINIMUM.
- DC VOLTAGES READ TO GROUND WITH A D.V.M., WITH NO SIGNAL APPLIED, AT RATED LINE VOLTAGE.
- AC VOLTAGES READINGS TAKEN WITH A D.V.M., REFERENCED TO GROUND, UNDER THE FOLLOWING CONDITIONS:
 - 1 kHz INPUT SIGNAL.
 - 2 Ω RESISTIVE LOAD CONNECTED TO SPEAKER OUTPUT TERMINALS.
 - ALL CR INSTANCES ARE 1N4448.
- VOLTAGES AT TP6 AND TP7 ARE WITH OUTPUT BELOW CLIPPING.
- CHANNEL B IDENTICAL TO CHANNEL A, ONLY CHANNEL A SHOWN. CHANNEL A INSTANCES BEGIN WITH 100, CHANNEL B INSTANCES BEGIN WITH 200.
- NUMBERS IN PARENTHESIS INDICATE PIN NUMBERS OR INSTANCES NUMBERS WHICH ARE PARTICULAR TO CHANNEL B.

OUTPUT TEST:
 300 WATTS rms ±1 dB INTO A 4Ω RESISTIVE LOAD, BOTH CHANNELS DRIVEN, 1kHz, WITH NO MORE THAN 0.1% T.H.D., WITH RATED VOLTAGE ACROSS POWER TRANSFORMER PRIMARY.



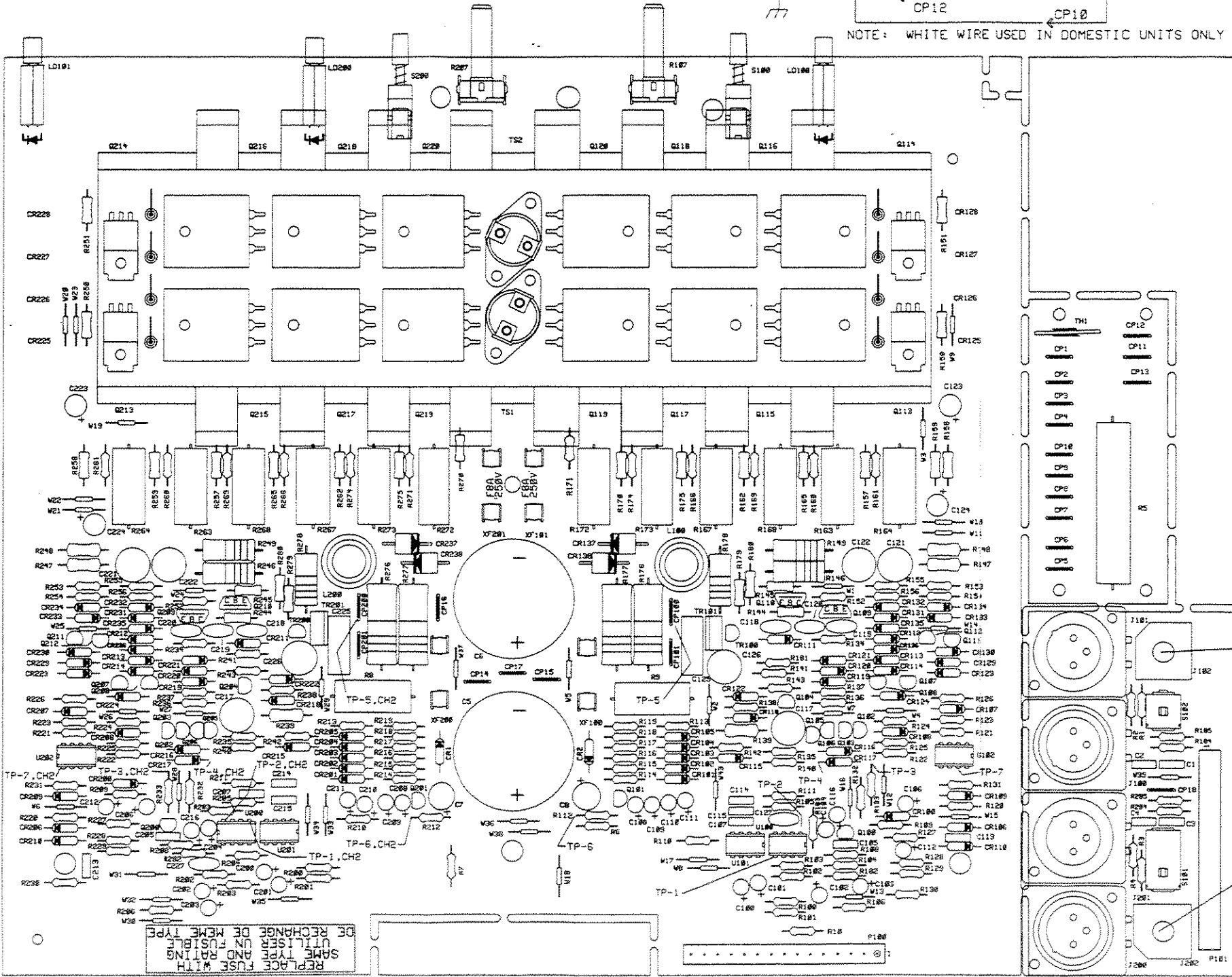
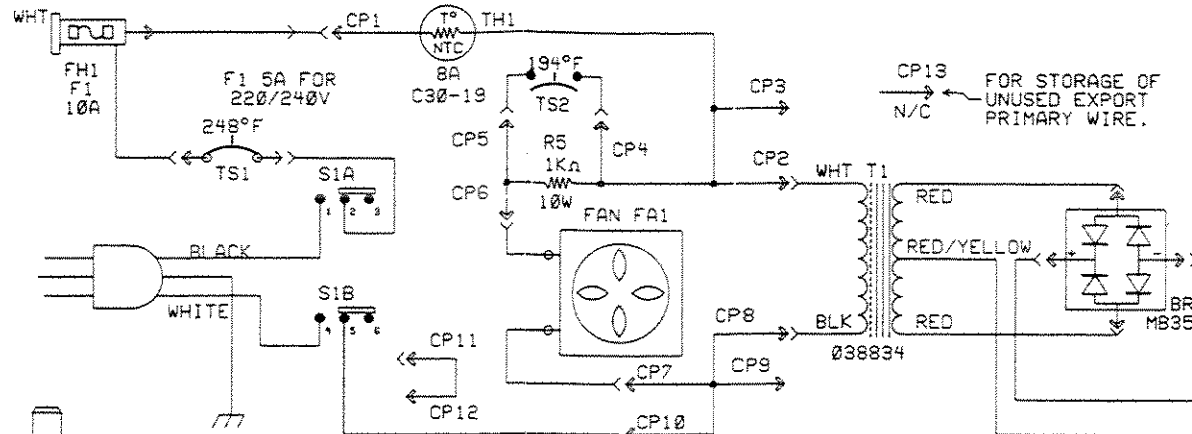
DATABASE FILE: SPLS1.DBF CHECKED BY: DATE: 12-6-92 APPROVED: DATE: 12-9-92 TOLERANCES: X.X .050" X.XX .010" X.XXX .005" ANGLES .500°	PROPRIETARY THIS DRAWING DOCUMENT CONTAINS INFORMATION WHICH IS PROPRIETARY TO AND IS THE PROPERTY OF THE FENDER MUSICAL INSTRUMENTS CO. AND MAY NOT BE USED, REPRODUCED OR DISCLOSED IN ANY MANNER WITHOUT THE EXPRESSED WRITTEN CONSENT FROM FENDER MUSICAL INSTRUMENTS CO. FENDER MUSICAL INSTRUMENTS CO. 1130 COLUMBIA ST. BREA, CALIFORNIA 92621 REC'D ON:	MUSICAL INSTRUMENTS 1130 Columbia Street Brea, Co. 92621 TITLE: SCHEMATIC SUNN SPL6000 SIZE: DRAWING 5 SAMS D ENGR: S SAMS 038867 D SCALE: NONE PLOTTED: 02-DEC-92 SHEET 1 OF 1
--	---	--

0038868000

ALTERNATE EXPORT
POWER TRANSFORMER
WIRING DIAGRAM.

100V	115V	230V
CP2	CP2	CP2
CP8	CP8	CP8
CP3	CP3	CP9
CP12	CP13	CP13
CP9	CP9	CP12
S1B-5	S1B-5	S1B-5
CP11	CP10	CP11

REVISIONS				
ZONE	REV.	DESCRIPTION	DATE	APPROVED
	A	PRODUCT RELEASE PR200	2-21-92	JSS
	B	ECO L0	3-3-92	JSS
	C	EC 830	4-2-92	JSS
	D	ECO 2411	7-7-92	



TP-0, CH2

DATABASE FILE: SPLP2.OBF
CHECKED BY: _____
DATE: _____
APPROVED: _____
DATE: _____
TOLERANCES: UNLESS OTHERWISE NOTED
X.XX ±0.050"
X.XXX ±0.010"
X.XXX ±0.005"
ANGLES ±0.500°

PROPRIETARY

THIS DRAWING DOCUMENT CONTAINS INFORMATION WHICH IS PROPRIETARY TO AND IS THE PROPERTY OF THE FENDER MUSICAL INSTRUMENTS CO. AND MAY NOT BE USED, REPRODUCED OR DISCLOSED IN ANY MANNER WITHOUT THE EXPRESSED WRITTEN CONSENT FROM:

FENDER MUSICAL INSTRUMENTS CO.
1130 COLUMBIA ST.
BREA, CALIFORNIA 92621
ROCK ON.

FENDER MUSICAL INSTRUMENTS
1130 Columbia Street
Brea, Ca. 92621

TITLE: SERVICE DIAGRAM
SUNN SPL6000/FENDER 2300

SIZE: DRAWN: JS SAMS DRAWING NUMBER: 038869 D REV. ENGR: JS SAMS

SCALE: N/A CREATED: 3-19-92 PLOTTED: 04-AUG-92 SHEET 1 OF 1

REPLACE FUSE WITH
SAME TYPE AND RATING
UTILISER UN FUSIBLE
DE RECHANGE DE MEME TYPE