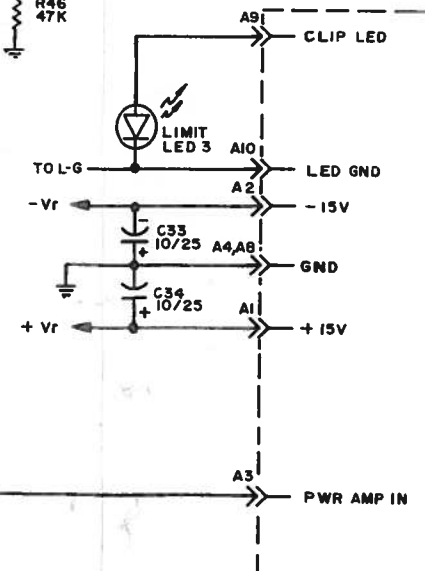


**PREAMP
SCHEMATIC
SB 200**

- NOTES: UNLESS OTHERWISE SPECIFIED
1. ALL RESISTORS ARE 1/4 W 5%
 2. ALL CAPACITORS ARE IN MICROFARADS
 3. ALL DIODES ARE DM158
 4. ALL IC'S ARE 4558



TRANSISTOR PINOUTS:

MPS A43
2N5089
2N5401
2N4888
2N4250
SK9143
MPS W43
MPS W93

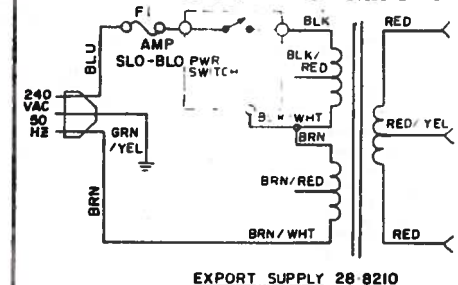
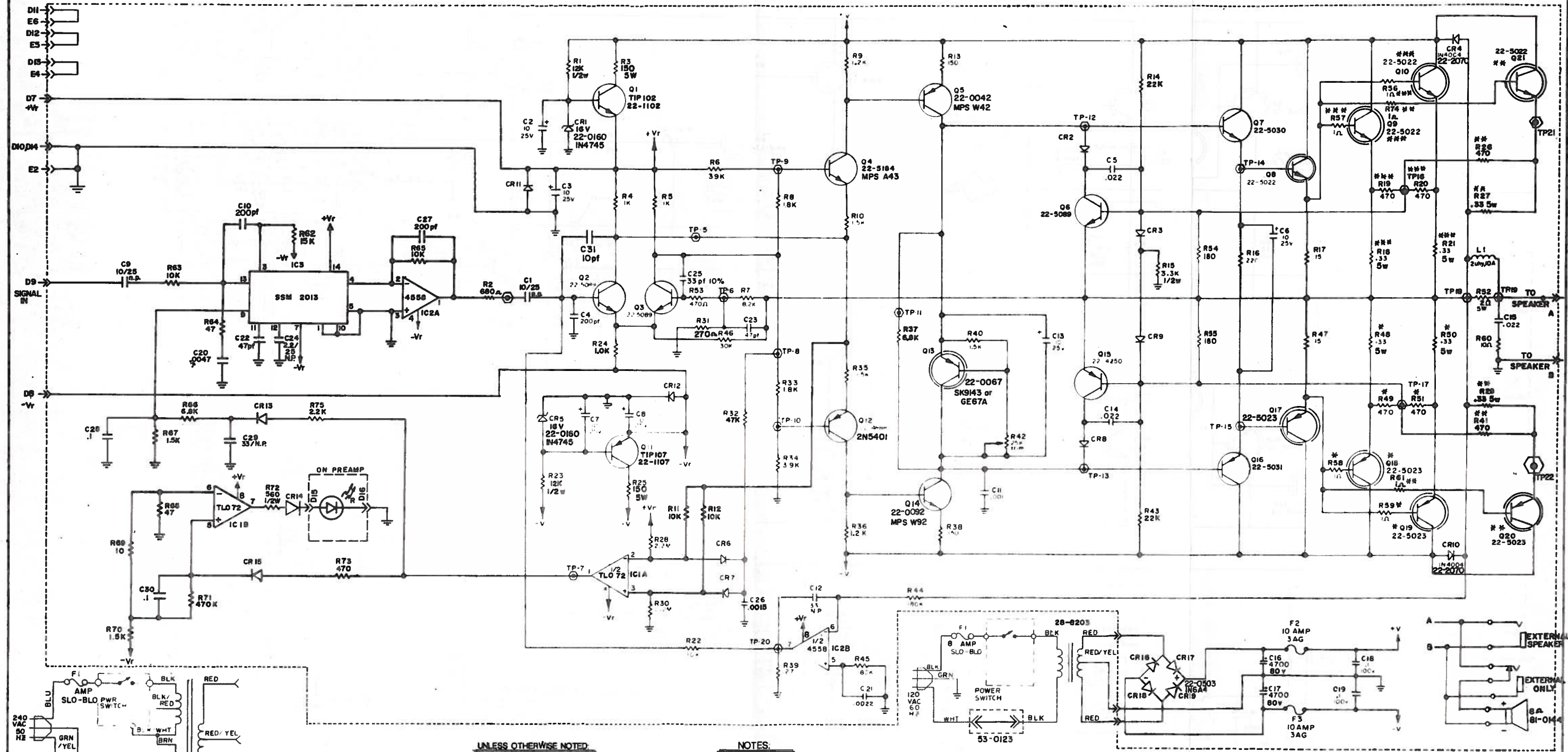
PIN: 1. Emitter
2. Base
3. Collector

TIP 102
TIP 107
MJE 1503C
MJE 1503H

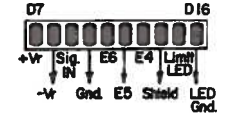
PIN: 1. Base
2. Collector
3. Emitter
4. Collector

MJ 15016
MJ 15022
MJ 15023

STYLE 1:
PIN 1: Base
2. Emitter
CASE: Collector



EXPORT SUPPLY 28-8210



- UNLESS OTHERWISE NOTED:**
- All Resistors are 1/4 W 5%. Values in ohms.
 - All Capacitor values are given in microfarads/voltage.
 - All Diodes are IN4148.

- NOTES:**
- Bias Setting:** Turn Bias pot fully CCW connect a 2 ohm load across the output. Inject a 1kHz sine wave and set output to 1/3 of the rated power (100 Watts at 2 ohms = 14 VRMS). After 30 seconds, disconnect input signal and load and set bias pot for an indication of 15 mVdc ± 5mV across TP21 and TP22.
 - Components marked with (1)* are located on output module 1.
 - Components marked with (2)* are located on output module 2.
 - Components marked with (3)* are located on output module 3.

TOLERANCES UNLESS OTHERWISE SPECIFIED		FRACTIONS DEC ANGLES	
APPROVALS	DATE	SUNN MUSICAL EQUIP CO.	
		SCHEMATIC, SB 200	
		POWER AMPLIFIER A	
CHECKED	SCALE	SIZE	DRAWING NO.
		FULL D	
DO NOT SCALE DRAWING		SHEET 1 of 1	