

SB 160

PARTS LIST

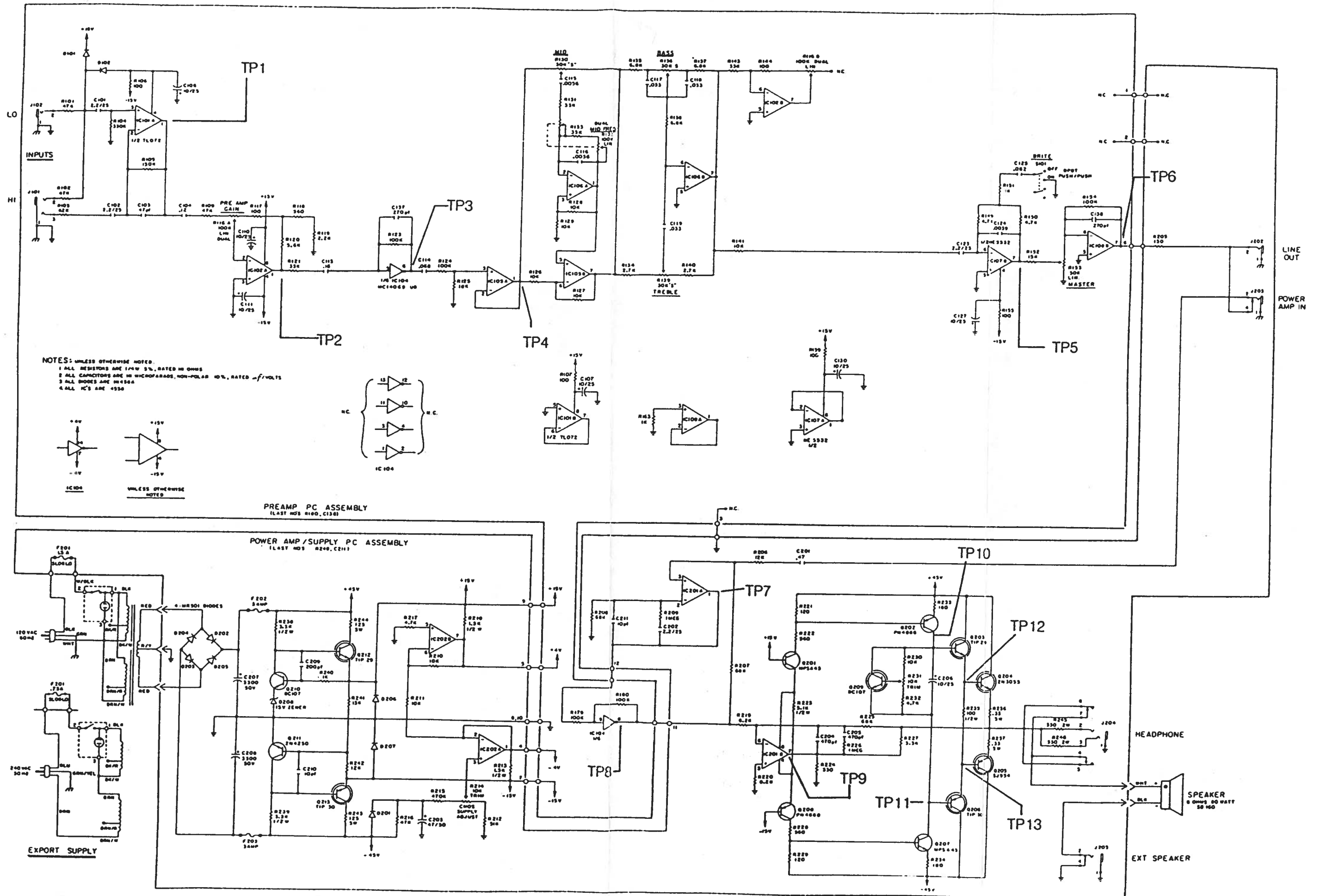
	<u>DESCRIPTION</u>	<u>SUNN PART NO.</u>
DIODES:		
	IN4744 15V Zener	22-0150
	IN458A	22-0458
	MR501, 3A 100V	22-0501
TRANSISTORS:		
Q202, 212	TIP 29B	22-0029
Q206, 213	TIP 30B	22-0030
Q209, 210	BC 107	22-0107
Q205	SJ 954	22-0954
Q204	2N3055	22-3155
Q211	2N4250	22-4250
Q202, 208	PN4888	22-4888
Q201, 207	MPS A43	22-5184
IC's		
	TLO72	22-4002
	MC14069	22-4069
	RC4558	22-4558
CONTROLS:		
Master Level	50K Lin	23-1400
Preamp Level, Mid-Frequency	100K Dual Lin	23-1401
Bass, Mid, Treble	30K S Curve	23-1402
SWITCHES:		
Brite		24-0130
Power		24-0134
MISCELLANEOUS:		
Power Transformer		28-2117
Filter Capacitors	3300uf 50V	10-3090
Push Button Knob		59-5549
Pointer Knob		59-6160
Lo Input Jack		67-0011
Hi Input Jack		67-0016
Line Out, Power Amp In, Ext. Speaker Jacks		67-3610
Headphone Jack		67-3620
Speaker		81-0558

TEST POINTS

TEST CONDITIONS: Line voltage, 120VAC, 8 ohm load, input signal into HI GAIN 89mv RMS or 250 mv RMS into LO GAIN input at 1kHz, preamp level at 5, tone control at 0, MID FREQ. at 345, MASTER level at 10, BRITE SWITCH out.

TP1	640mvp-p	TP 8	6.5vp-p
TP2	1.2vp-p	TP 9	6.2vp-p
TP3	2.5vp-p	TP10	60vp-p
TP4	380mvp-p	TP11	60vp-p
TP5	350mvp-p	TP12	62vp-p
TP6	2.25vp-p	TP13	62vp-p
TP7	12.8vp-p		

BIAS SETTING: With unit at room temperature, no input signal, no load, adjust R231 for a DC voltage of 6mVDC across resistors R235 and R237 after the unit has been on for a minute.

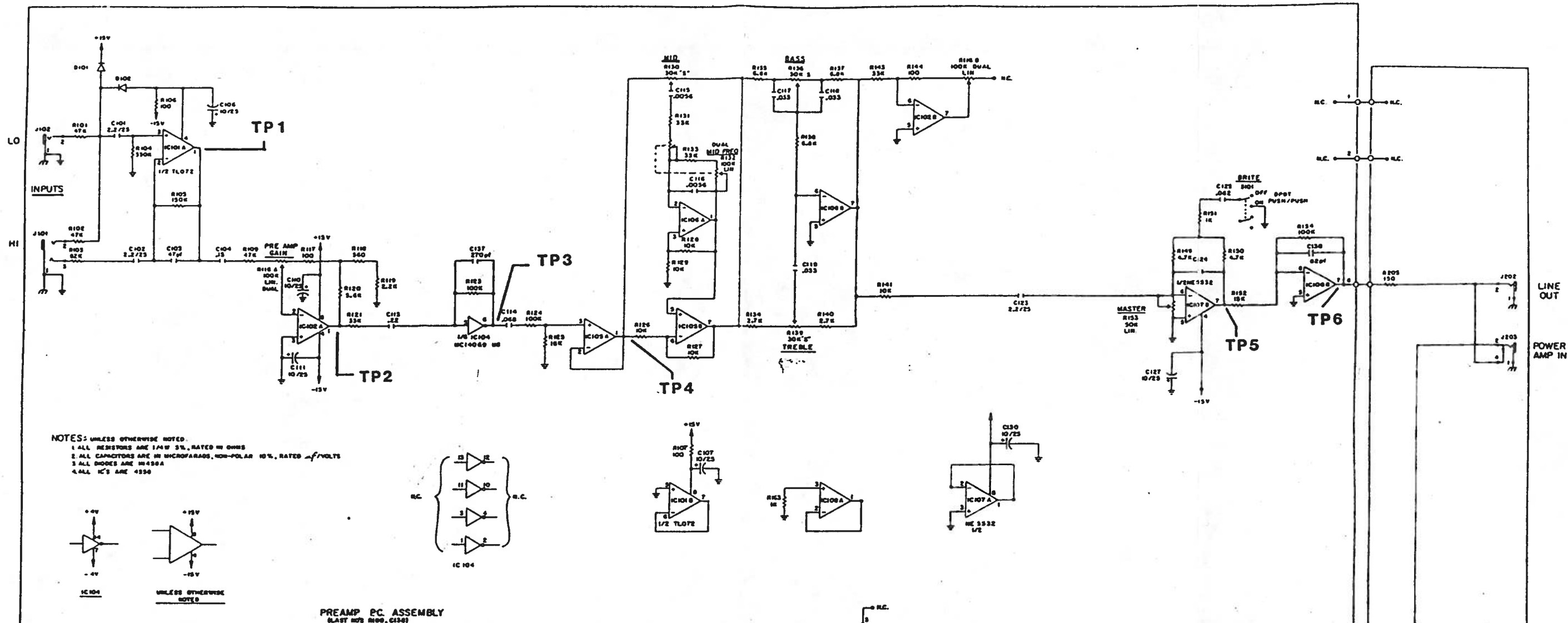


SB 160 SCHEMATIC REV. A

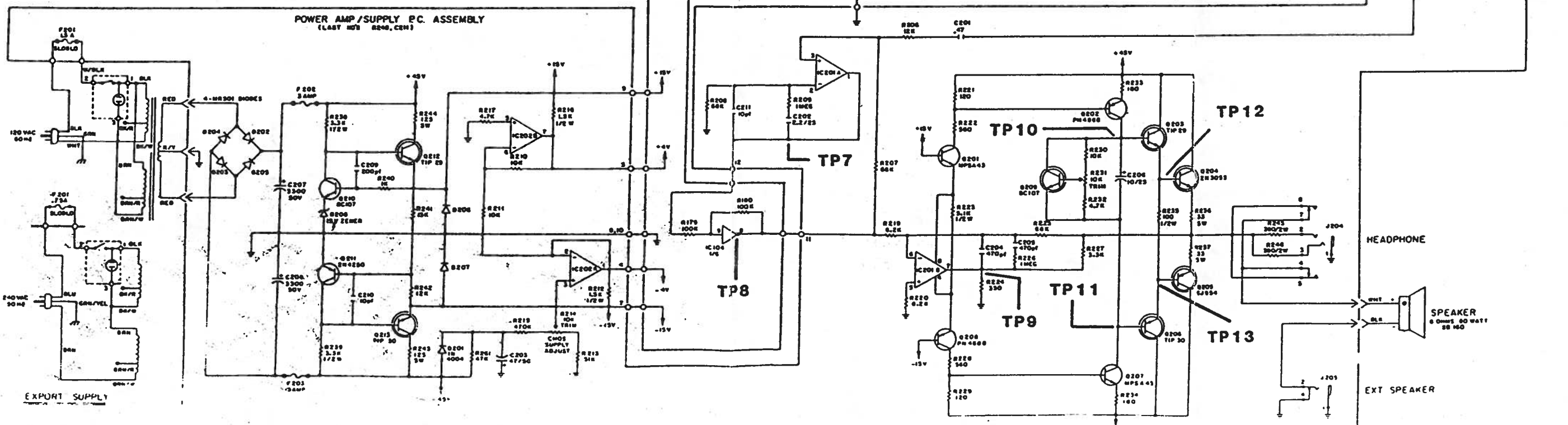
24-5

SB 160 SCHEMATIC

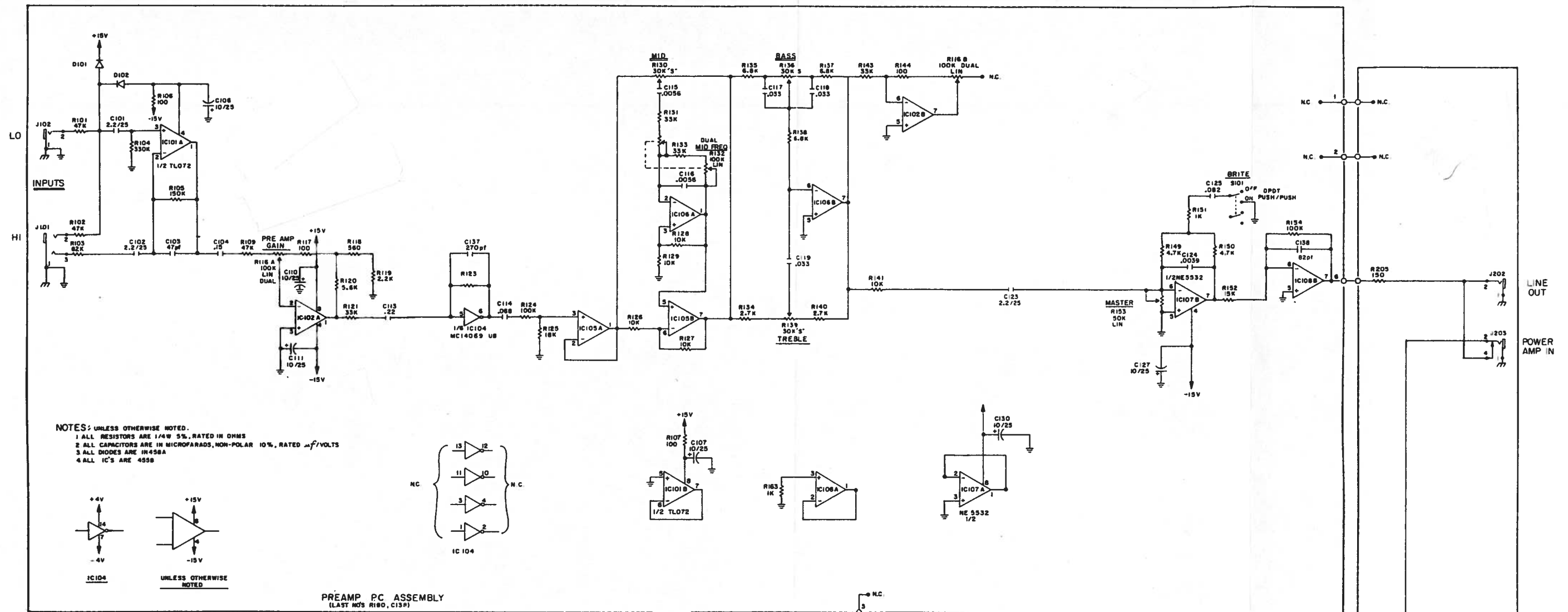
REV.B



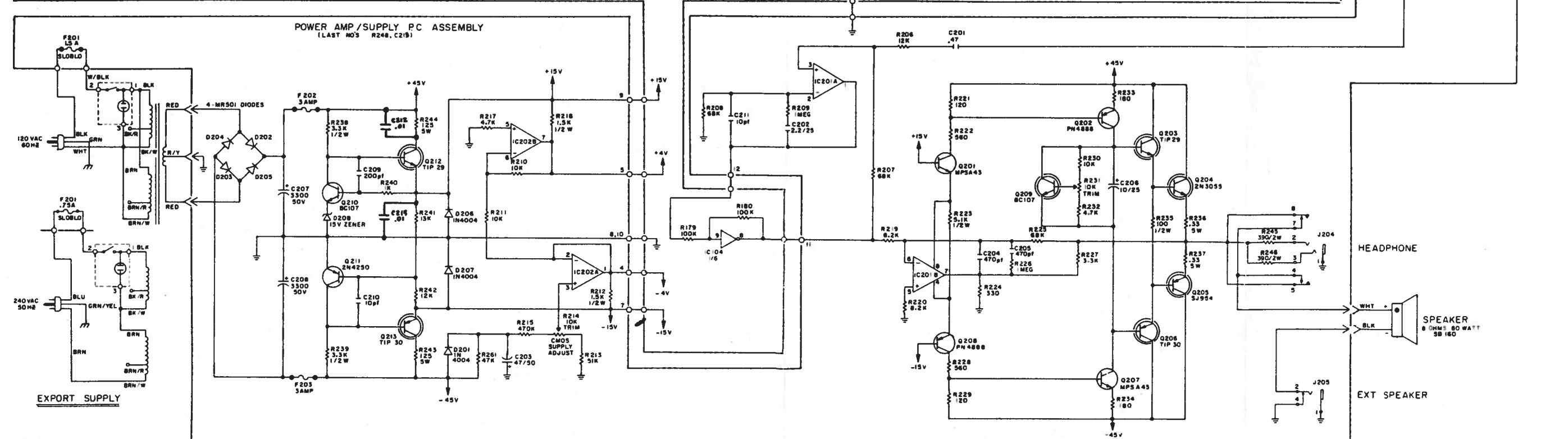
PREAMP PC. ASSEMBLY
(LAST REV. 8240, C124)



POWER AMP/SUPPLY PC. ASSEMBLY
(LAST REV. 8240, CEM)



PREAMP PC ASSEMBLY
(LAST NOS R180, C131)



24-9