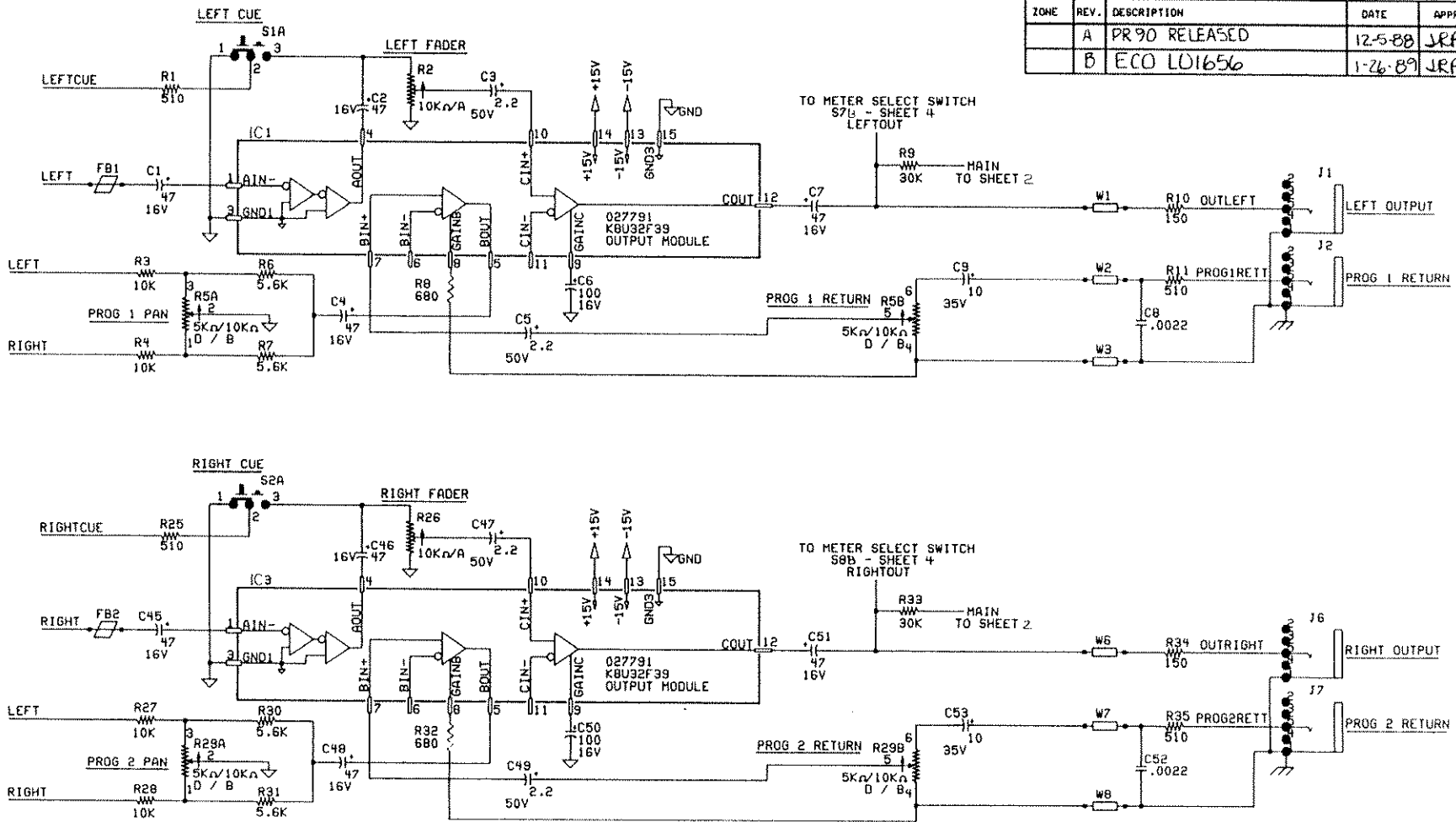


REVISIONS				
ZONE	REV.	DESCRIPTION	DATE	APPROVED
	A	PR 90 RELEASED	12-5-88	JRP
	B	ECO L01656	1-26-89	JRP

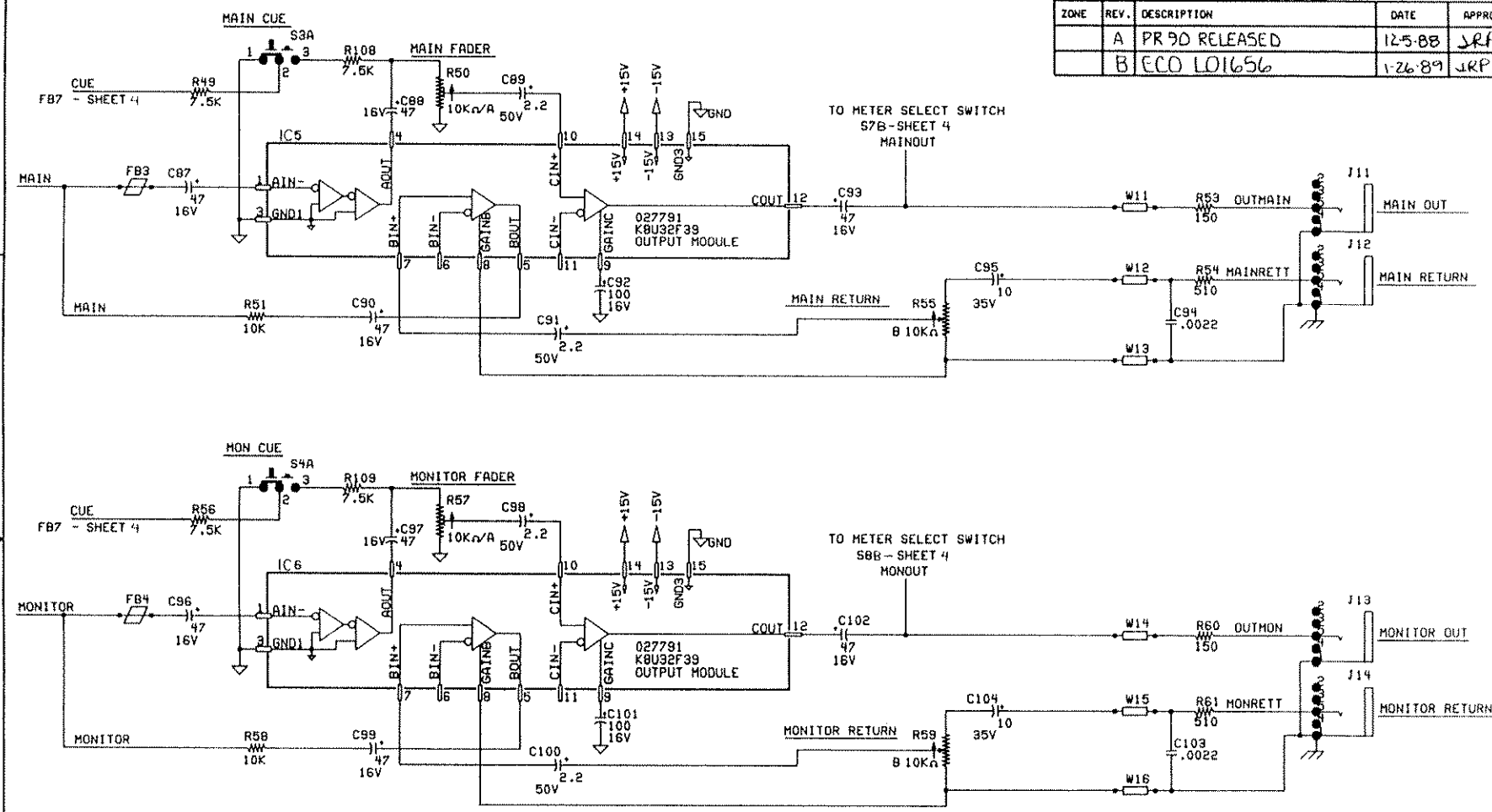


- NOTES:
1. ALL RESISTANCE IS SPECIFIED IN OHMS (Ω).
 2. ALL RESISTORS ARE 1/4W, 5%, UNLESS OTHERWISE NOTED.
 3. ALL CAPACITANCE IS SPECIFIED IN MICRO FARADS (μ F), UNLESS OTHERWISE SPECIFIED.
 4. ARROW ON "FADER" RESISTOR INDICATES MOVEMENT UP.
 5. ALL SIGNAL DIODES ARE 1N4448, UNLESS OTHERWISE SPECIFIED.

ASSEMBLY NO. 0030747000	PROPRIETARY	MUSICAL INSTRUMENTS 1130 Columbia Street Brea, Co. 92621
CHECKED BY: _____	THIS DRAWING DOCUMENT CONTAINS INFORMATION WHICH IS PROPRIETARY TO AND IS THE PROPERTY OF FENDER MUSICAL INST. AND MAY NOT BE USED, REPRODUCED OR DISCLOSED WITHOUT THE EXPRESSED WRITTEN CONSENT FROM: FENDER MUSICAL INST. CO. 1130 COLUMBIA ST. BREA, CA 92621	
DATE: _____	APPROVED: <i>JRP</i>	TITLE: SCHEMATIC
DATE: 12-5-88	TOLERANCES:	MX42 MASTER OUTPUT MODULE
	X.X ± 0.050"	SIZE: C
	X.XX ± 0.010"	DRAWN: MULLIN
	X.XXX ± 0.005"	DRAWING NUMBER
	ANGLES ± 0.500°	ENGR: PERKINS
UNLESS OTHERWISE NOTED		DRAWING NUMBER: 029949
		REV. B
		SCALE: _____
		DATE: 11-7-88
		SHEET 1 OF 4

PART NO. 0029325000 SHEET 1

REVISIONS				
ZONE	REV.	DESCRIPTION	DATE	APPROVED
	A	PR 90 RELEASED	12-5-88	JRP
	B	ECO LO1656	1-26-89	JRP

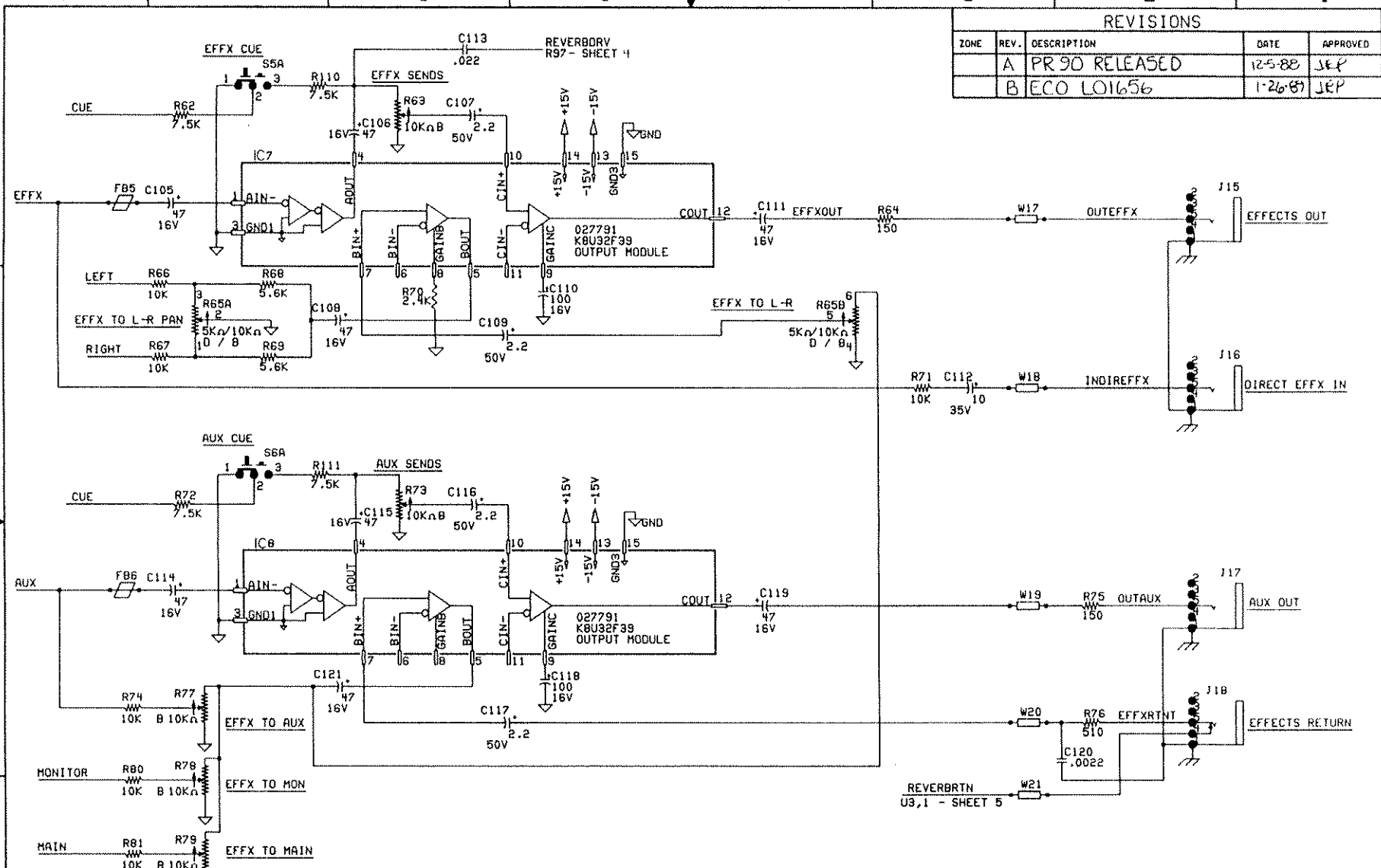


- NOTES:
1. ALL RESISTANCE IS SPECIFIED IN OHMS (Ω).
 2. ALL RESISTORS ARE $\frac{1}{4}$ W, 5%, UNLESS OTHERWISE NOTED.
 3. ALL CAPACITANCE IS SPECIFIED IN MICRO FARADS (μ F), UNLESS OTHERWISE SPECIFIED.
 4. ARROW ON "FADER" RESISTOR INDICATES MOVEMENT UP.
 5. ALL SIGNAL DIODES ARE 1N4448, UNLESS OTHERWISE SPECIFIED.

ASSEMBLY NO. 0030747000	PROPRIETARY	MUSICAL INSTRUMENTS 1130 Columbia Street Brea, Co. 92621
CHECKED BY: _____	THIS DRAWING DOCUMENT CONTAINS INFORMATION WHICH IS PROPRIETARY TO AND IS THE PROPERTY OF FENDER MUSICAL INST. AND MAY NOT BE USED, REPRODUCED OR DISCLOSED WITHOUT THE EXPRESSED WRITTEN CONSENT FROM: FENDER MUSICAL INST. CO. 1130 COLUMBIA ST. BREA, CA 92621	
DATE: _____	DATE: 12-5-88	TITLE: SCHEMATIC MX42 MASTER OUTPUT MODULE
APPROVED: JRP	DATE: 1-26-89	SIZE: C DRAWN: MULLIN DRAWING NUMBER: 029949 REV. B
TOLERANCES: X.X ± 0.050" X.XX ± 0.010" X.XXX ± 0.005" ANGLES ± 0.500° UNLESS OTHERWISE NOTED	SCALE: _____	DATE: 11-7-88 SHEET 2 OF 4

SHEET 2
PART NO. 0029325000

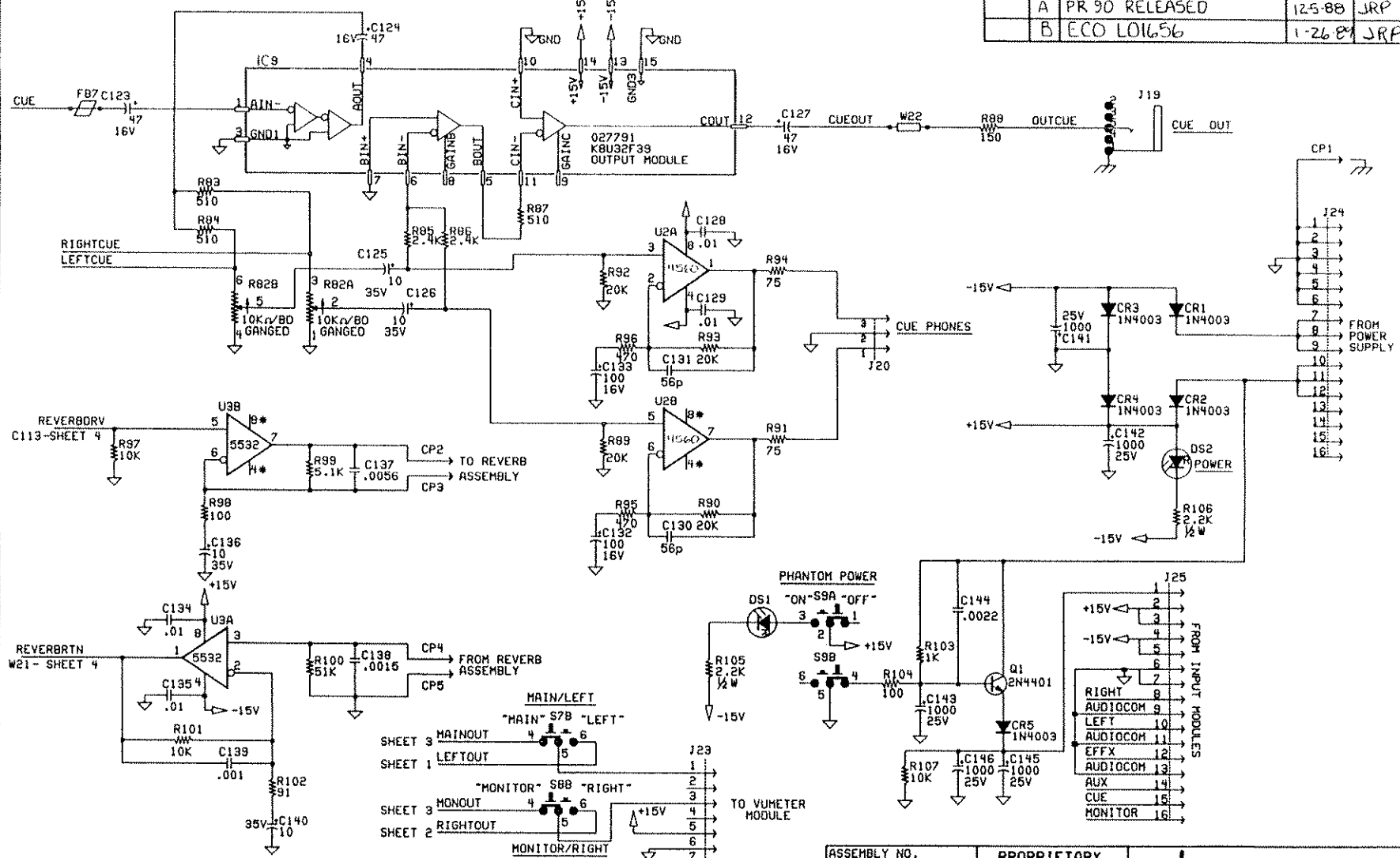
REVISIONS				
ZONE	REV.	DESCRIPTION	DATE	APPROVED
	A	PR 90 RELEASED	12-5-88	JEP
	B	ECO L01656	1-26-89	JEP



- NOTES:
1. ALL RESISTANCE IS SPECIFIED IN OHMS (Ω).
 2. ALL RESISTORS ARE $\frac{1}{4}$ W, 5%, UNLESS OTHERWISE NOTED.
 3. ALL CAPACITANCE IS SPECIFIED IN MICRO FARADS (μ F), UNLESS OTHERWISE SPECIFIED.
 4. ARROW ON "FADER" RESISTOR INDICATES MOVEMENT UP.
 5. ALL SIGNAL DIODES ARE 1N4448, UNLESS OTHERWISE SPECIFIED.

ASSEMBLY NO. 0030747000	PROPRIETARY	MUSICAL INSTRUMENTS 1130 Columbia Street Brea, Ca. 92621
CHECKED BY: _____	THIS DRAWING DOCUMENT CONTAINS INFORMATION WHICH IS PROPRIETARY TO AND IS THE PROPERTY OF FENDER MUSICAL INST. AND MAY NOT BE USED, REPRODUCED OR DISCLOSED WITHOUT THE EXPRESSED WRITTEN CONSENT FROM:	
DATE: _____	FENDER MUSICAL INST. CO. 1130 COLUMBIA ST. BREA, CA 92621	TITLE: SCHEMATIC MX42 MASTER OUTPUT MODULE
APPROVED: _____		SIZE: C DRAWN: MULLIN DRAWING NUMBER: 029949 REV. B
DATE: _____		ENGR: PERKINS
TOLERANCES:		SCALE: _____ DATE: 11-7-88 SHEET 3 OF 4
X.X ± 0.050"		
X.XX ± 0.010"		
X.XXX ± 0.005"		
ANGLES ± 0.500°		
UNLESS OTHERWISE NOTED		

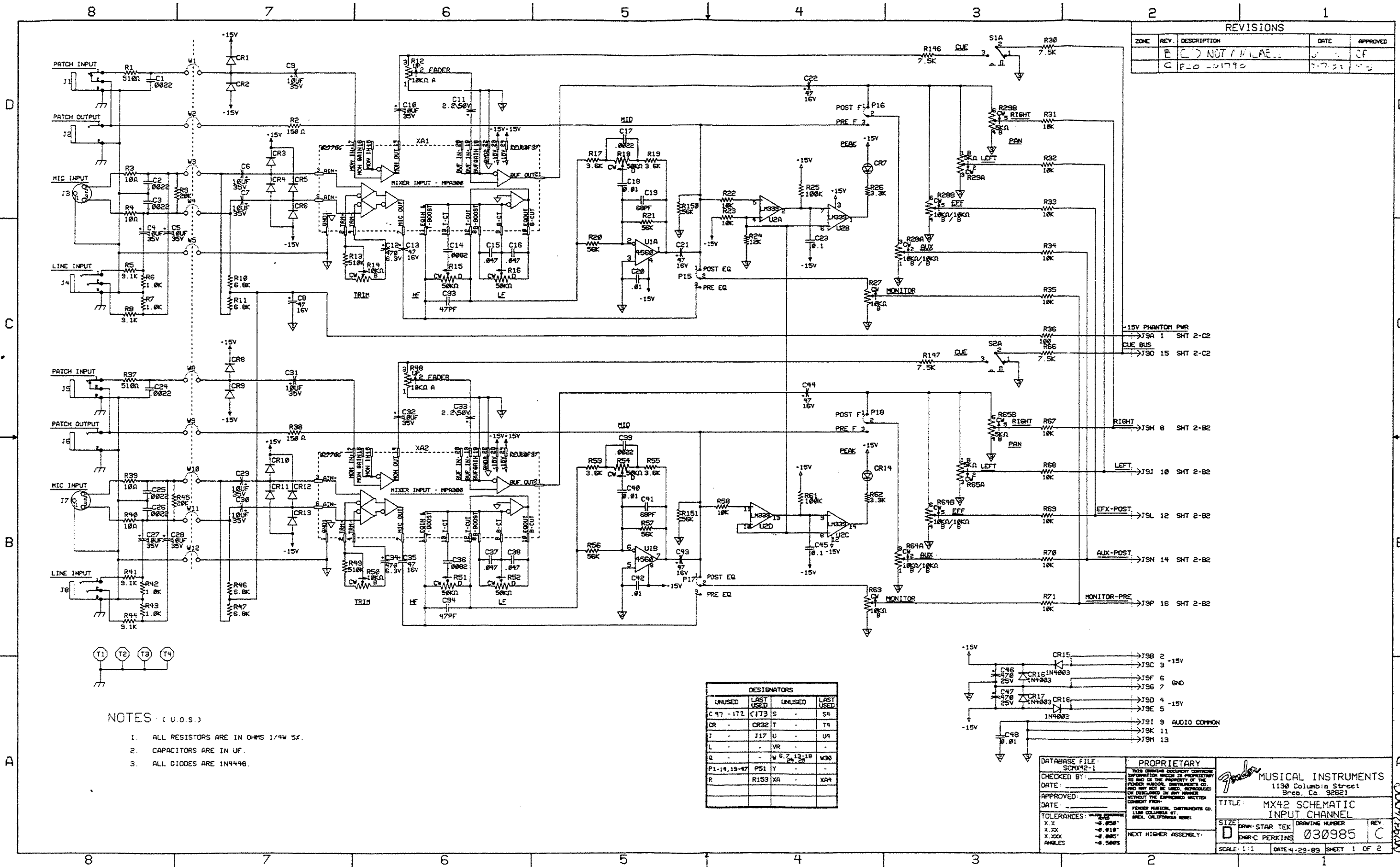
REVISIONS				
ZONE	REV.	DESCRIPTION	DATE	APPROVED
	A	PR 90 RELEASED	12-5-88	JRP
	B	ECO LOI656	1-26-89	JRP



- NOTES:
1. ALL RESISTANCE IS SPECIFIED IN OHMS (Ω).
 2. ALL RESISTORS ARE $\frac{1}{4}$ W, 5%, UNLESS OTHERWISE NOTED.
 3. ALL CAPACITANCE IS SPECIFIED IN MICRO FARADS (μ F), UNLESS OTHERWISE SPECIFIED.
 4. ARROW ON "FADER" RESISTOR INDICATES MOVEMENT UP.
 5. ALL SIGNAL DIODES ARE 1N4448, UNLESS OTHERWISE SPECIFIED.

ASSEMBLY NO. 0030747000	PROPRIETARY	MUSICAL INSTRUMENTS 1130 Columbia Street Brea, Ca. 92621
CHECKED BY:	THIS DRAWING DOCUMENT CONTAINS INFORMATION WHICH IS PROPRIETARY TO AND IS THE PROPERTY OF FENDER MUSICAL INST. AND MAY NOT BE USED, REPRODUCED OR DISCLOSED WITHOUT THE EXPRESSED WRITTEN CONSENT FROM:	
DATE:		TITLE: SCHEMATIC
APPROVED: <i>SJP</i>		MX42 MASTER OUTPUT MODULE
DATE: 12-5-88		SIZE C DRAWN: MULLIN DRAWING NUMBER 029949 REV. B
TOLERANCES:		ENGR: PERKINS
X.X ± 0.050"		SCALE: DATE: 11-7-88 SHEET 4 OF 4
X.XX ± 0.010"		
X.XXX ± 0.005"		
ANGLES ± 0.500°		
UNLESS OTHERWISE NOTED		

PART NO. 0029925000 SHEET 4

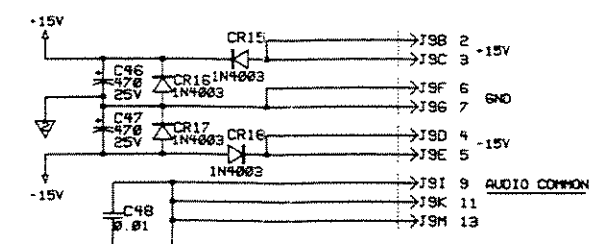


REVISIONS				
ZONE	REV.	DESCRIPTION	DATE	APPROVED
	E	ADD NOT / PARALLEL	5-1-89	CF
	C	F.O. 101790	7-7-89	

- 15V PHANTOM PWR
- >J9A 1 SHT 2-C2
- CUE BUS
- >J90 15 SHT 2-C2
- RIGHT ->J9H 8 SHT 2-B2
- LEFT ->J9J 10 SHT 2-B2
- EFX-POST ->J9L 12 SHT 2-B2
- AUX-POST ->J9N 14 SHT 2-B2
- MONITOR-PRE ->J9P 16 SHT 2-B2

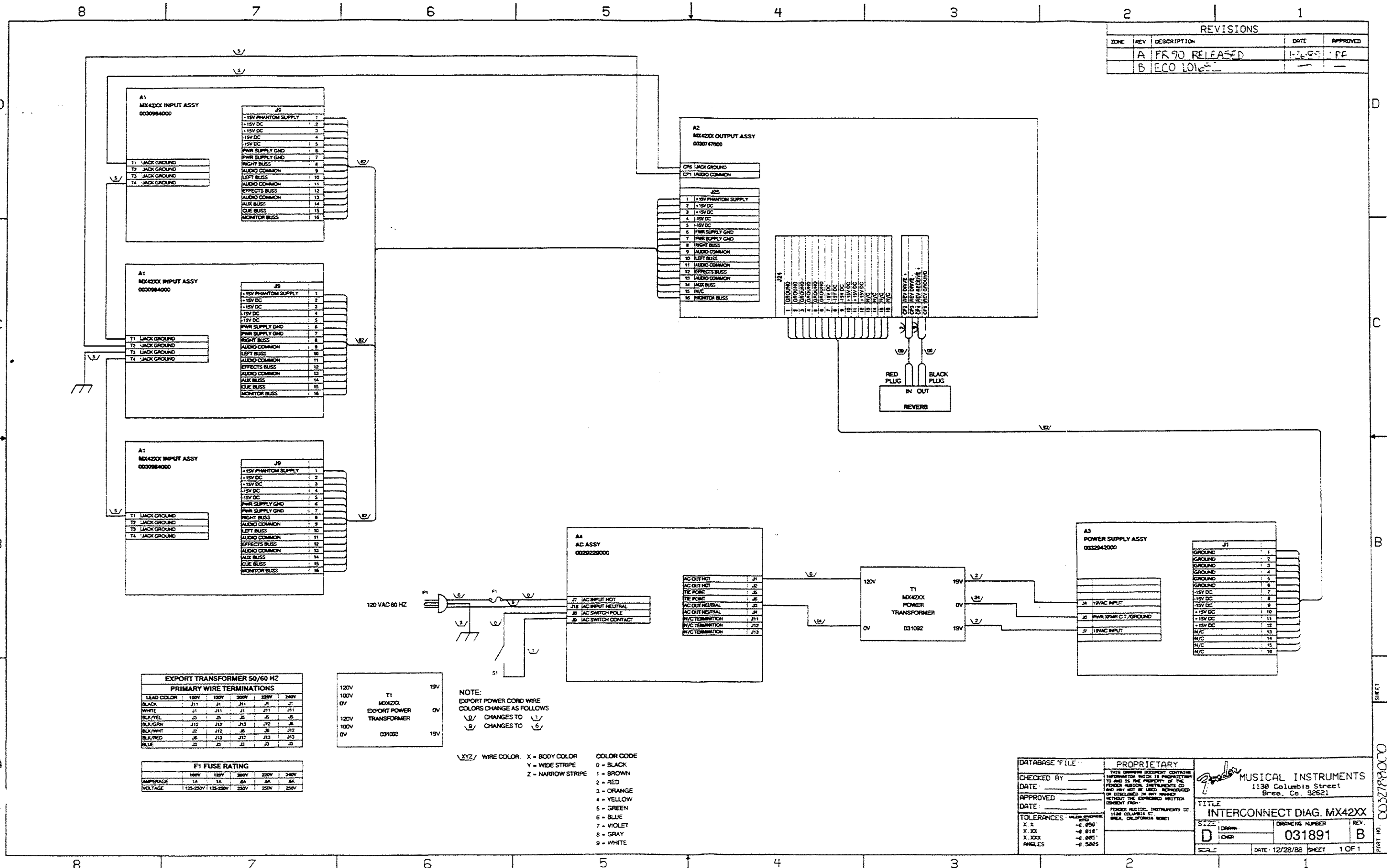
- NOTES (U.O.S.)
- ALL RESISTORS ARE IN OHMS 1/4W 5%.
 - CAPACITORS ARE IN UF.
 - ALL DIODES ARE 1N4448.

DESIGNATORS			
UNUSED	LAST USED	UNUSED	LAST USED
C 47 - 172	C173 S	-	S4
CR -	CR32 T	-	T4
J -	J17 U	-	U4
L -	-	VR -	-
Q -	-	W 6, 7, 13, 18	W30
P1-14, 15-47	P51 Y	-	-
R -	R153 XA	-	XA4



DATABASE FILE: SCMX42-1 CHECKED BY: DATE: APPROVED: DATE:	PROPRIETARY <small>THIS DRAWING OR PORTION THEREOF IS THE PROPERTY OF FENDER MUSICAL INSTRUMENTS CO. AND MAY NOT BE REPRODUCED OR DISCLOSED IN ANY MANNER WITHOUT THE EXPRESS WRITTEN CONSENT FROM:</small> FENDER MUSICAL INSTRUMENTS CO. <small>1130 COLUMBIA ST. BREA, CALIFORNIA 92621</small>	Fender MUSICAL INSTRUMENTS <small>1130 Columbia Street Brea, Ca. 92621</small> TITLE: MX42 SCHEMATIC INPUT CHANNEL
TOLERANCES: X.X - .050" X.XX - .010" X.XXX - .005" ANGLES - .5005"	NEXT HIGHER ASSEMBLY: DRAWN: STAR TEK DRAWING NUMBER: 030985 REV: C	SCALE: 1:1 DATE: 4-23-89 SHEET 1 OF 2

REVISIONS				
ZONE	REV	DESCRIPTION	DATE	APPROVED
A	FR 90	RELEASED	1-26-88	PF
B	ECO	LOI		



EXPORT TRANSFORMER 50/60 HZ					
PRIMARY WIRE TERMINATIONS					
LEAD COLOR	100V	120V	200V	220V	240V
BLACK	J11	J1	J11	J1	J1
WHITE	J11	J11	J11	J11	J11
BLK/YEL	J5	J5	J5	J5	J5
BLK/GRN	J12	J12	J12	J12	J12
BLK/WHT	J2	J12	J6	J6	J12
BLK/RED	J6	J13	J12	J13	J13
BLUE	J3	J3	J3	J3	J3

F1 FUSE RATING					
AMPERAGE	1A	1A	6A	6A	6A
VOLTAGE	125-250V	125-250V	250V	250V	250V

120V	100V	15V
0V		
T1 MX42XX EXPORT POWER TRANSFORMER		
120V	100V	15V
0V		
031092		

NOTE:
EXPORT POWER CORD WIRE
COLORS CHANGE AS FOLLOWS
 X/ Y/ Z/ CHANGES TO X/ Y/ Z/
 X/ Y/ Z/ CHANGES TO X/ Y/ Z/

WIRE COLOR: X - BODY COLOR
 Y - WIDE STRIPE
 Z - NARROW STRIPE

COLOR CODE
 0 - BLACK
 1 - BROWN
 2 - RED
 3 - ORANGE
 4 - YELLOW
 5 - GREEN
 6 - BLUE
 7 - VIOLET
 8 - GRAY
 9 - WHITE

DATABASE FILE		PROPRIETARY	
CHECKED BY	DATE	MUSICAL INSTRUMENTS 1138 Columbia Street Brea, Ca. 92621	
APPROVED	DATE	TITLE INTERCONNECT DIAG. MX42XX	
TOLERANCES	VALUES	SCALE	DATE: 12/28/88 SHEET 1 OF 1
X .X	-0.050	D	
X .XX	-0.018	DRAWING NUMBER	031891
X .XXX	-0.005	REV.	B
ANGLES	-0.5005		

PART NO. 003278000 SHEET