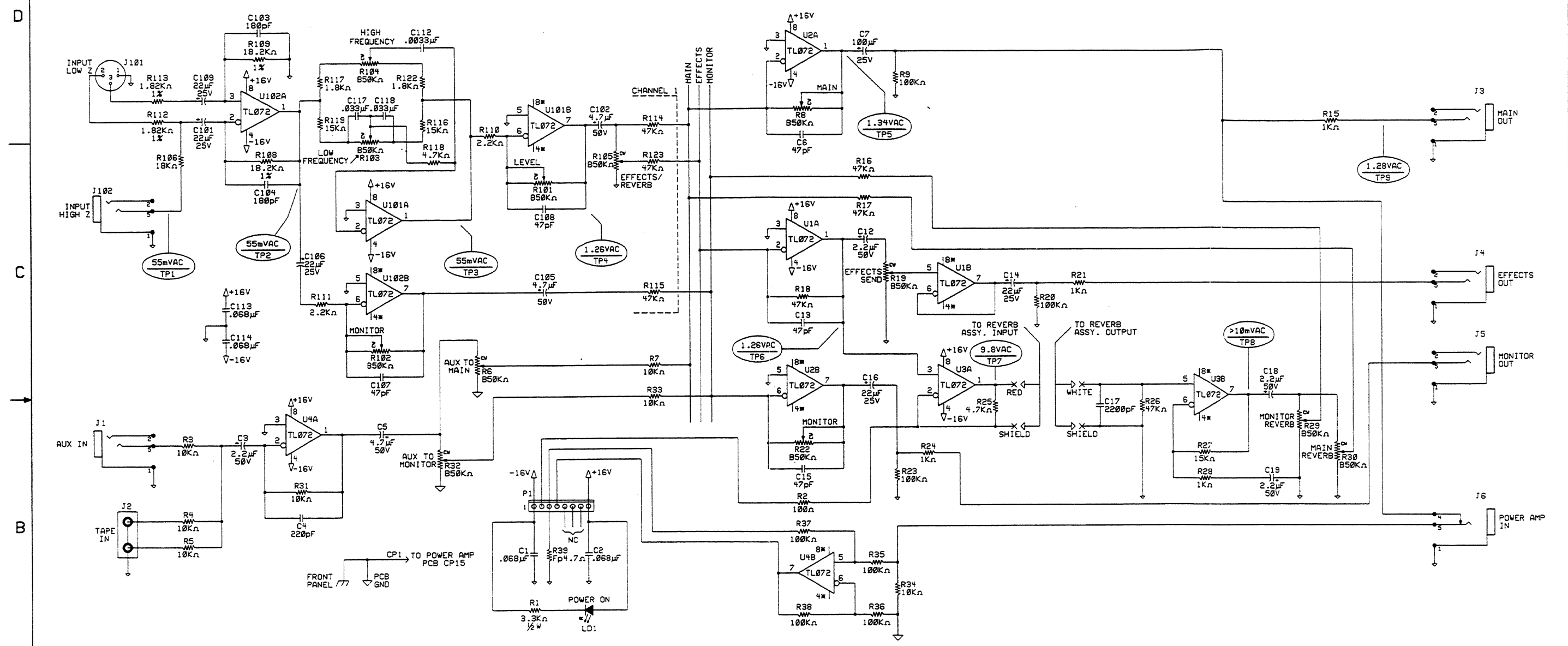


REVISIONS				
ZONE	REV.	DESCRIPTION	DATE	APPROVED
	1	PRELIMINARY	28-MAY-92	
	2	REVISED	10-AUG-92	
	3	REVISED	28-AUG-92	
	A	RELEASED PR216	11-SEP-92	MDW



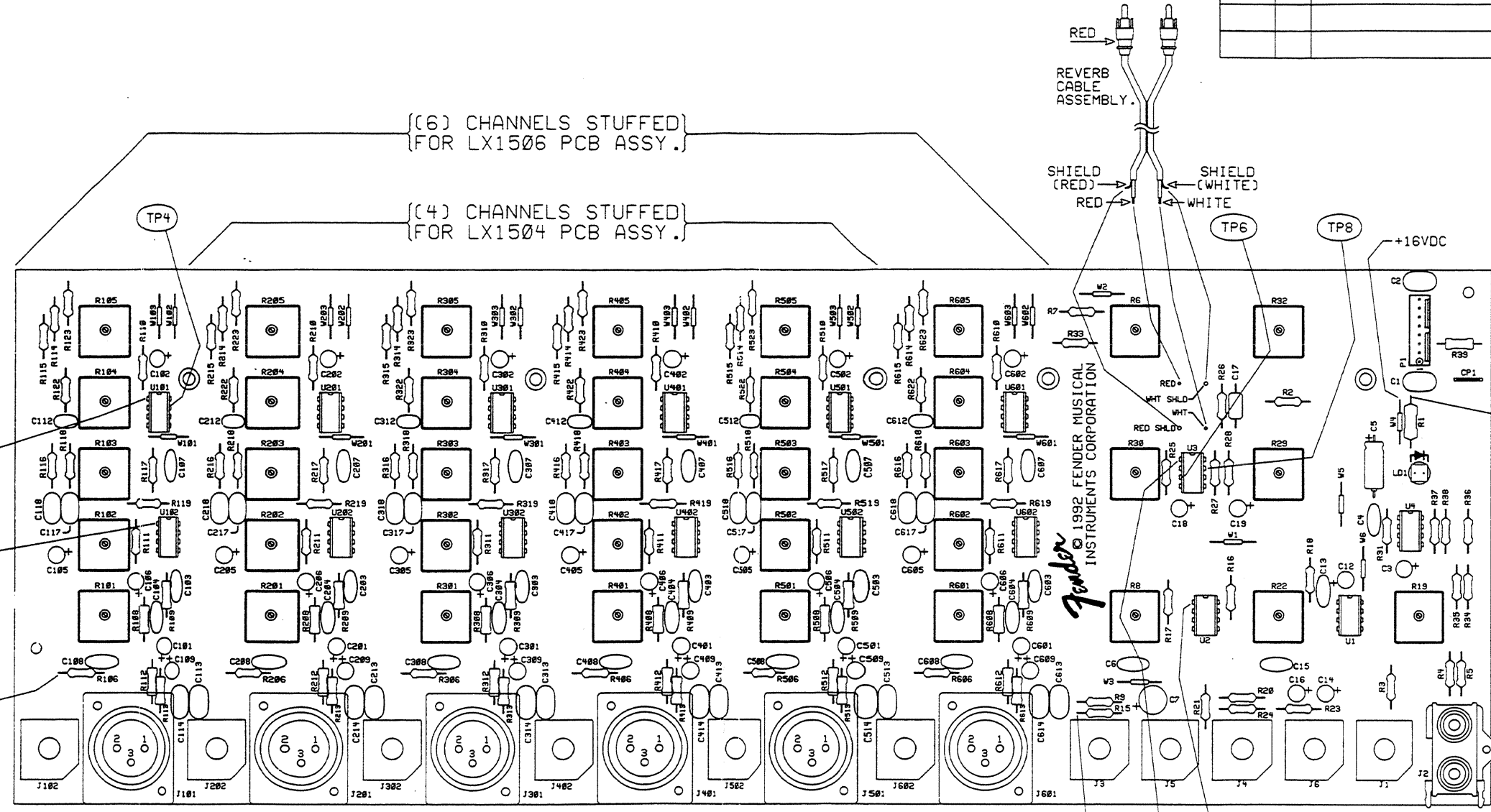
NOTES: UNLESS OTHERWISE SPECIFIED.

- 0. VOLTAGES MAY VARY ± 20%.
- 1. ALL VOLTAGES READ TO GROUND WITH A D.V.M. UNDER THE FOLLOWING CONDITIONS:
  - 1.1 LOW AND HIGH FREQUENCY CONTROLS AT CENTER ROTATION.
  - 1.2 MAIN AND MONITOR REVERB AT MINIMUM.
  - 1.3 ALL OTHER CONTROLS AT MAXIMUM.
  - 1.4 A 1KHZ, UNBALANCED SINEWAVE INPUT AT J102.
- 2. ALL RESISTORS 1/4W, ± 5%.
- 3. ALL CAPACITORS 63 VOLT MINIMUM.
- 4. LAST INSTANCE: C19, C1, J6, LD1, R39, U4.
- 5. ALL CHANNEL CIRCUITRY IS IDENTICAL FOR EACH CHANNEL.
- 6. INSTANCES IN EACH CHANNEL ARE KEYED TO CHANNEL NUMBER.
- 7. INSTANCES NOT USED: C10, C111, C115, C116, R107.

DATABASE FILE: LX6CHS.DBF CHECKED BY: MDW DATE: 9/10/92 APPROVED: MDW DATE: 9/11/92	<b>PROPRIETARY</b> <small>THIS DRAWING DOCUMENT CONTAINS INFORMATION WHICH IS PROPRIETARY TO AND IS THE PROPERTY OF FENDER MUSICAL INSTRUMENTS CO. AND MAY NOT BE USED, REPRODUCED OR DISCLOSED IN ANY MANNER WITHOUT THE EXPRESS WRITTEN CONSENT FROM:</small> <b>FENDER MUSICAL INSTRUMENTS CO.</b> <small>1130 COLUMBIA ST.          BREA, CALIFORNIA 92621          ROCK ON.</small>	<b>Fender</b> MUSICAL INSTRUMENTS <small>1130 Columbia Street          Brea, Ca. 92621</small> TITLE: SCHEMATIC, PREAMP LX15 MIXERS.
TOLERANCES: UNLESS OTHERWISE NOTED X.XX ±.050" X.XXX ±.010" X.XXX ±.005" ANGLES ±.500°	NEXT HIGHER ASSEMBLY: LX15 MIXERS.	SIZE: D DRAWN: WH/MDW ENGR: WH/MDW DRAWING NUMBER: 039229 REV: A CREATED: 07-APR-92 PLOTTED: 13-SEP-92 SCALE: NONE SHEET 1 OF 1

0039230000

REVISIONS				
ZONE	REV.	DESCRIPTION	DATE	APPROVED
	A	RELEASED PR216	11-SEP-92	<i>MOW</i>

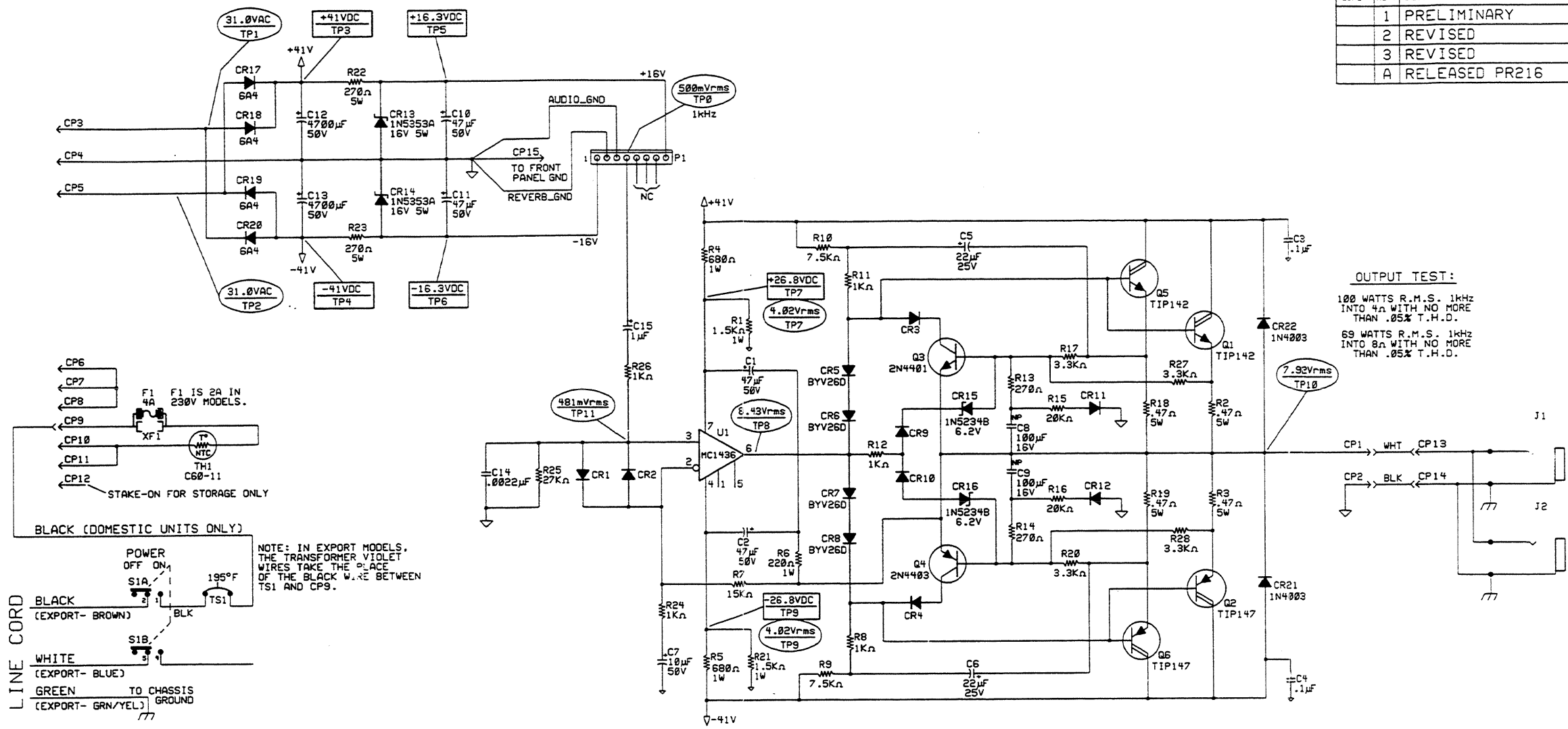


FILM/DWG: SERVICE DIAGRAM  
 DATABASE: DATE: 13-SEP-92  
 LAYERS PLOTTED: 1 2 3 4 10  
 18

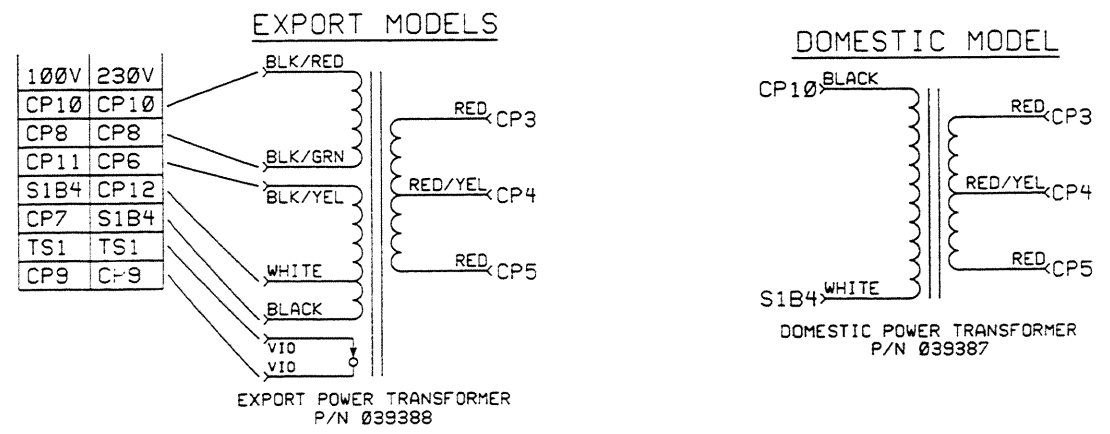
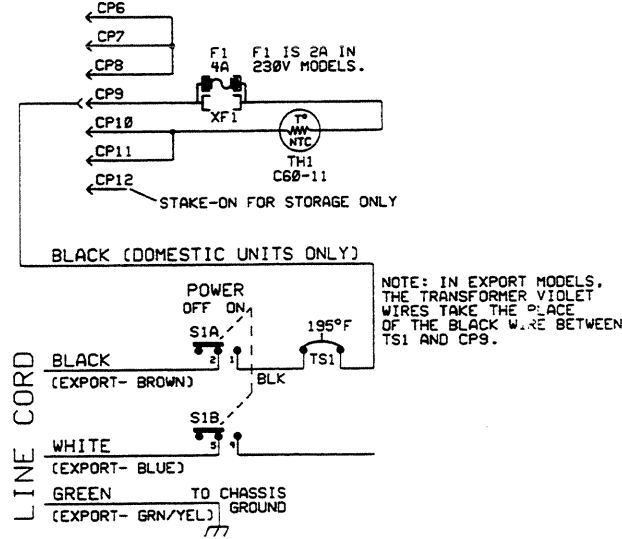
NOTES:  
 1.) INSTANCES 1XX AND 6XX ARE NOT STUFFED IN LX1504.  
 2.) CHANNEL TEST POINTS ARE TYPICAL FOR EACH CHANNEL.

DATABASE FILE: LX6CHP.DBF CHECKED BY: <i>MOW</i> DATE: <i>9/16/92</i> APPROVED: <i>MOW</i> DATE: <i>9/16/92</i> TOLERANCES: UNLESS OTHERWISE NOTED X.X ±0.050" X.XX ±0.010" X.XXX ±0.005" ANGLES ±0.500°	<b>PROPRIETARY</b> THIS DRAWING DOCUMENT CONTAINS INFORMATION WHICH IS PROPRIETARY TO AND IS THE PROPERTY OF THE FENDER MUSICAL INSTRUMENTS CO. AND MAY NOT BE USED, REPRODUCED OR DISCLOSED IN ANY MANNER WITHOUT THE EXPRESSED WRITTEN CONSENT FROM: FENDER MUSICAL INSTRUMENTS CO. 1130 COLUMBIA ST. BREA, CALIFORNIA 92621 ROCK ON. NEXT HIGHER ASSEMBLY: LX15 MIXERS.	<b>MUSICAL INSTRUMENTS</b> 1130 Columbia Street Brea, Ca. 92621 TITLE: SERVICE DIAGRAM, LX15 PRE-AMP PCB SIZE: B DRAWN: WILKENS DRAWING NUMBER: 039231 REV. A ENGR: WILKENS CREATED: 27-AUG-92 PLOTTED: 13-SEP-92 SHEET 1 OF 1
--	---	--

REVISIONS				
ZONE	REV.	DESCRIPTION	DATE	APPROVED
	1	PRELIMINARY	13-JUL-92	
	2	REVISED	10-AUG-92	
	3	REVISED	19-AUG-92	
	A	RELEASED PR216	11-SEP-92	<i>WJK</i>



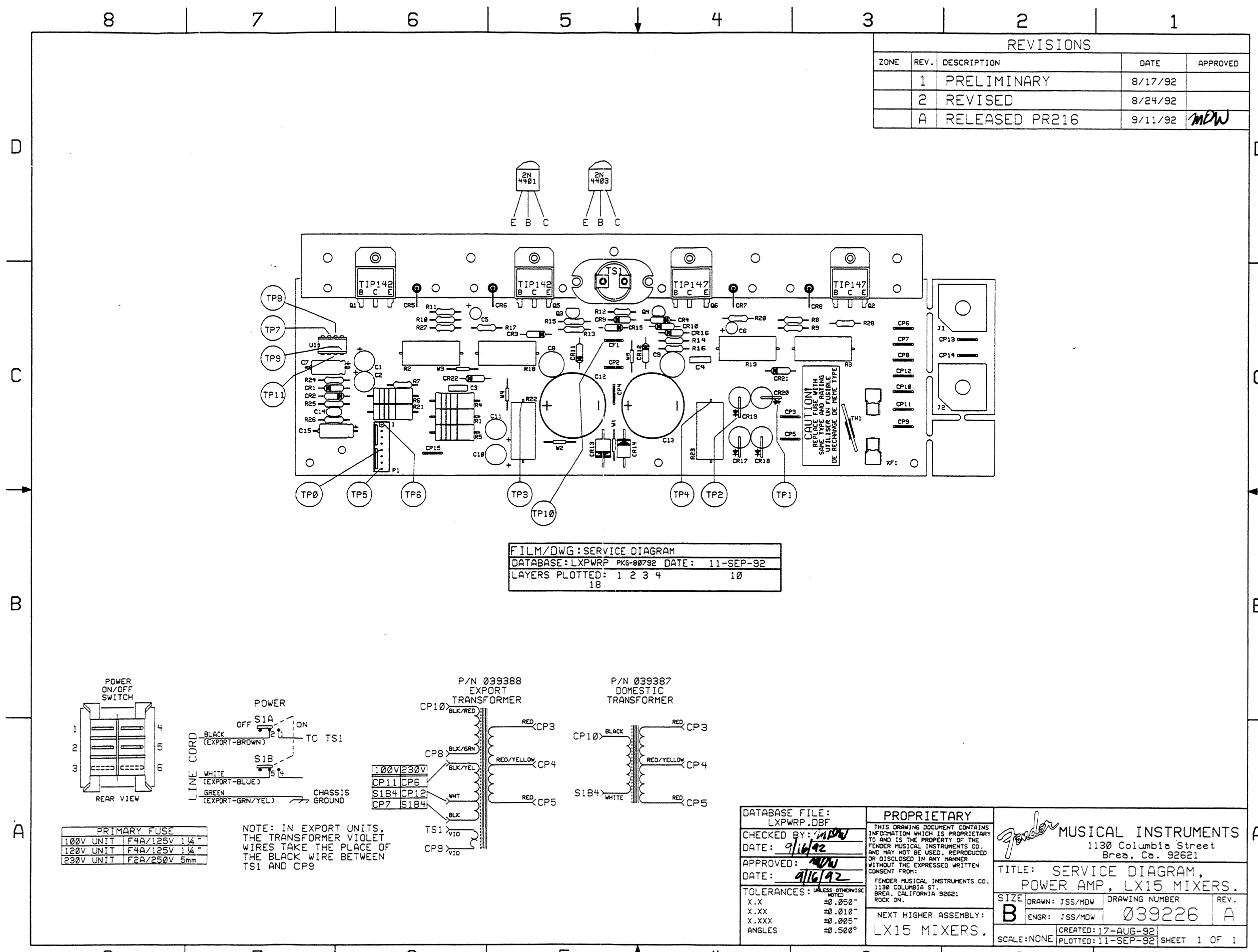
**OUTPUT TEST:**  
 100 WATTS R.M.S. 1kHz INTO 4Ω WITH NO MORE THAN .05% T.H.D.  
 69 WATTS R.M.S. 1kHz INTO 8Ω WITH NO MORE THAN .05% T.H.D.



- NOTES: UNLESS OTHERWISE SPECIFIED.**
1. ALL RESISTORS 1/4W. ± 5%.
  2. ALL CAPACITORS 63V MINIMUM.
  3. ALL DIODES 1N4448.
  4. POWER SUPPLY VOLTAGES READ TO GROUND WITH A DVM, NO INPUT SIGNAL.
  5. VOLTAGES MAY VARY ± 20%.
  6. AC VOLTAGES MEASURED WITH A DVM TO GROUND UNDER THE FOLLOWING CONDITIONS:  
 RATED LINE VOLTAGE AT PRIMARY.  
 500mVrms SINEWAVE SIGNAL APPLIED AT P1 PIN 4.  
 4Ω RESISTIVE LOAD CONNECTED AT CP1 AND CP2.

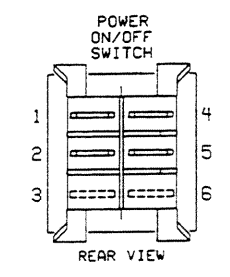
DATABASE FILE: LXPWRS.DBF CHECKED BY: <i>WJK</i> DATE: <i>8/16/92</i> APPROVED: <i>WJK</i> DATE: <i>9/16/92</i> TOLERANCES: UNLESS OTHERWISE SPECIFIED: X.X .050" X.XX .010" X.XXX .005" ANGLES .500°	<b>PROPRIETARY</b> THIS DRAWING DOCUMENT CONTAINS INFORMATION WHICH IS PROPRIETARY TO AND IS THE PROPERTY OF THE FENDER MUSICAL INSTRUMENTS CO. AND MAY NOT BE USED, REPRODUCED OR DISCLOSED IN ANY MANNER WITHOUT THE EXPRESSED WRITTEN CONSENT FROM: FENDER MUSICAL INSTRUMENTS CO. 1130 COLUMBIA ST. BREA, CALIFORNIA 92621 ROCK ON.	<b>FENDER MUSICAL INSTRUMENTS</b> 1130 Columbia Street Brea, Ca. 92621 TITLE: SCHEMATIC, PWR AMP LX15 MIXERS SIZE: DRAWN: WILKENS   DRAWING NUMBER: <b>039224</b>   REV. <b>A</b> ENGR: WILKENS NEXT HIGHER ASSEMBLY: REAR PANEL ASS'Y, LX15 MIXERS. SCALE: NONE   PLOTTED: 11-SEP-92   SHEET 1 OF 1
---	--	--

0039225000



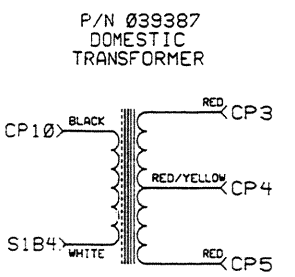
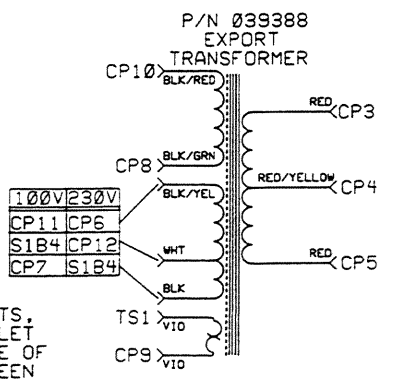
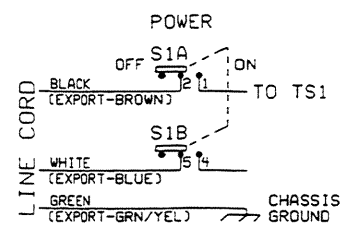
REVISIONS				
ZONE	REV.	DESCRIPTION	DATE	APPROVED
	1	PRELIMINARY	8/17/92	
	2	REVISED	8/24/92	
	A	RELEASED PR216	9/11/92	MDW

FILM/DWG: SERVICE DIAGRAM  
 DATABASE: LXPWRP PKG-80792 DATE: 11-SEP-92  
 LAYERS PLOTTED: 1 2 3 4 10 18



PRIMARY FUSE	
100V UNIT	F4A/125V 1/4"
120V UNIT	F4A/125V 1/4"
230V UNIT	F2A/250V 5mm

NOTE: IN EXPORT UNITS, THE TRANSFORMER VIOLET WIRES TAKE THE PLACE OF THE BLACK WIRE BETWEEN TS1 AND CP9



DATABASE FILE: LXPWRP.DBF  
 CHECKED BY: MDW  
 DATE: 9/16/92  
 APPROVED: MDW  
 DATE: 9/16/92  
 TOLERANCES: UNLESS OTHERWISE NOTED  
 X.X ±0.050"  
 X.XX ±0.010"  
 X.XXX ±0.005"  
 ANGLES ±0.500°

PROPRIETARY  
 THIS DRAWING DOCUMENT CONTAINS INFORMATION WHICH IS PROPRIETARY TO AND IS THE PROPERTY OF THE FENDER MUSICAL INSTRUMENTS CO. AND MAY NOT BE USED, REPRODUCED OR DISCLOSED IN ANY MANNER WITHOUT THE EXPRESSED WRITTEN CONSENT FROM:  
 FENDER MUSICAL INSTRUMENTS CO.  
 1130 COLUMBIA ST.  
 BREA, CALIFORNIA 92621  
 NEXT HIGHER ASSEMBLY:  
 LX15 MIXERS.

Fender MUSICAL INSTRUMENTS  
 1130 Columbia Street  
 Brea, Ca. 92621

TITLE: SERVICE DIAGRAM, POWER AMP, LX15 MIXERS.

SIZE	DRAWN: JSS/MDW	DRAWING NUMBER	REV.
B	ENGR: JSS/MDW	039226	A

SCALE: NONE  
 CREATED: 17-AUG-92  
 PLOTTED: 11-SEP-92 SHEET 1 OF 1