

CONCERT LEAD  
Amplifier Parts List

TRANSISTORS, DIODES

Q101,102,103,201		
202	2N4304	22-4304
Q104,105,203,204		
205,301	8C107B	22-0107
Q302	8C141C	22-0141
Q1,2,3,4,5	2N3055	22-3055
CR101,102,201,202	1N914A	22-0914
CR1	G1KBH02 10 amp	19-0100
CR305,307	G1W0-2 1.5 amp	19-0002
CR306	15V zener	22-0150

FILTER CAPACITORS

C1	3450mfd/ 75 Volt cap	10-3091
C2	1000mfd/75 Volt cap	10-3080
C303,306	250mfd/64 Volt cap	10-1025
C308	1000mfd/50 Volt cap	10-2580

TRANSFORMERS

T1	3-40T driver transformer	28-4300
T2	Power transformer	28-2602

CIRCUIT BREAKER

3 amp hold - 4.5 amp surge	52-0450
Thermal breaker 76°C	52-0350

SWITCHES

Power switch	24-0091
Polarity switch	24-0086
Treble boost	24-0085

CONTROLS

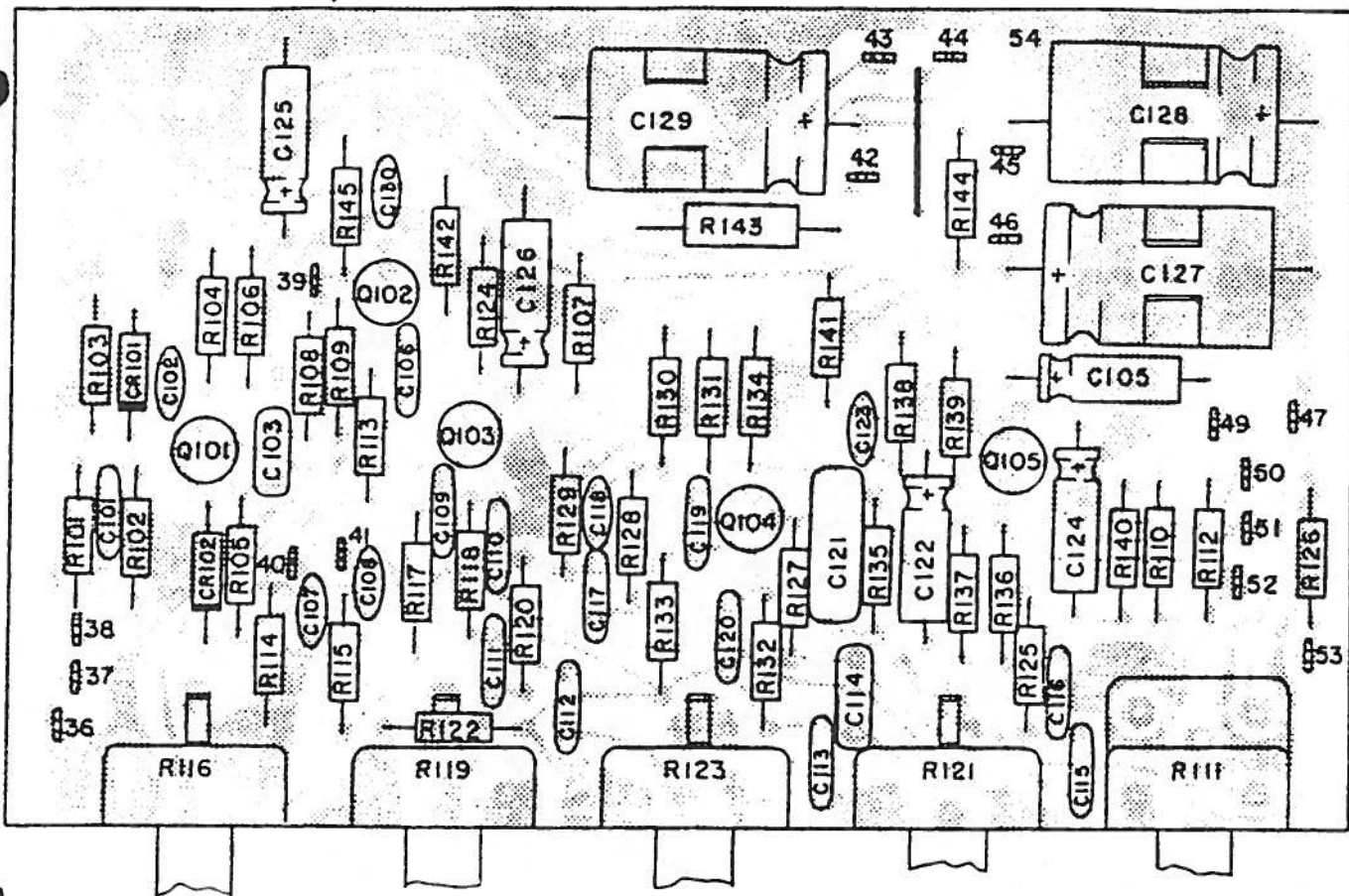
R111	Distort 25K dual	23-5009
R116,240	Volume 500K audio	23-1267
R123,215	Mid range 250K	23-1269
R119,214	Bass 500K	23-1267
R238	Reverb level 25K linear	23-1219

JACKS

Brite normal	13E switchabel	67-0014
Preamp out, output	Open circuit standard	67-0011
Power amp in	#12 shorting	67-0012
Footswitch	Dual	67-0081

REVERB TRAY

OC Electronics Z3C	29-0006
--------------------	---------



## PIN NO.

- |                          |                   |
|--------------------------|-------------------|
| 36. Input jack ground    | 46. +25 Volts out |
| 37. Input jack normal    | 47. Ground        |
| 38. Input jack brite     | 48. Ground shield |
| 39. Input jack switch    | 49. Signal out    |
| 40. Brite switch (pin 1) | 50. Reverb in     |
| 41. Brite switch (pin 2) | 51. Signal in     |
| 42. +29 Volts            | 52. Distort out   |
| 43. + 32 Volts           | 53. Distort boost |
| 44. -15 Volts in         | 54. Ground        |
| 45. -15 Volts out        |                   |

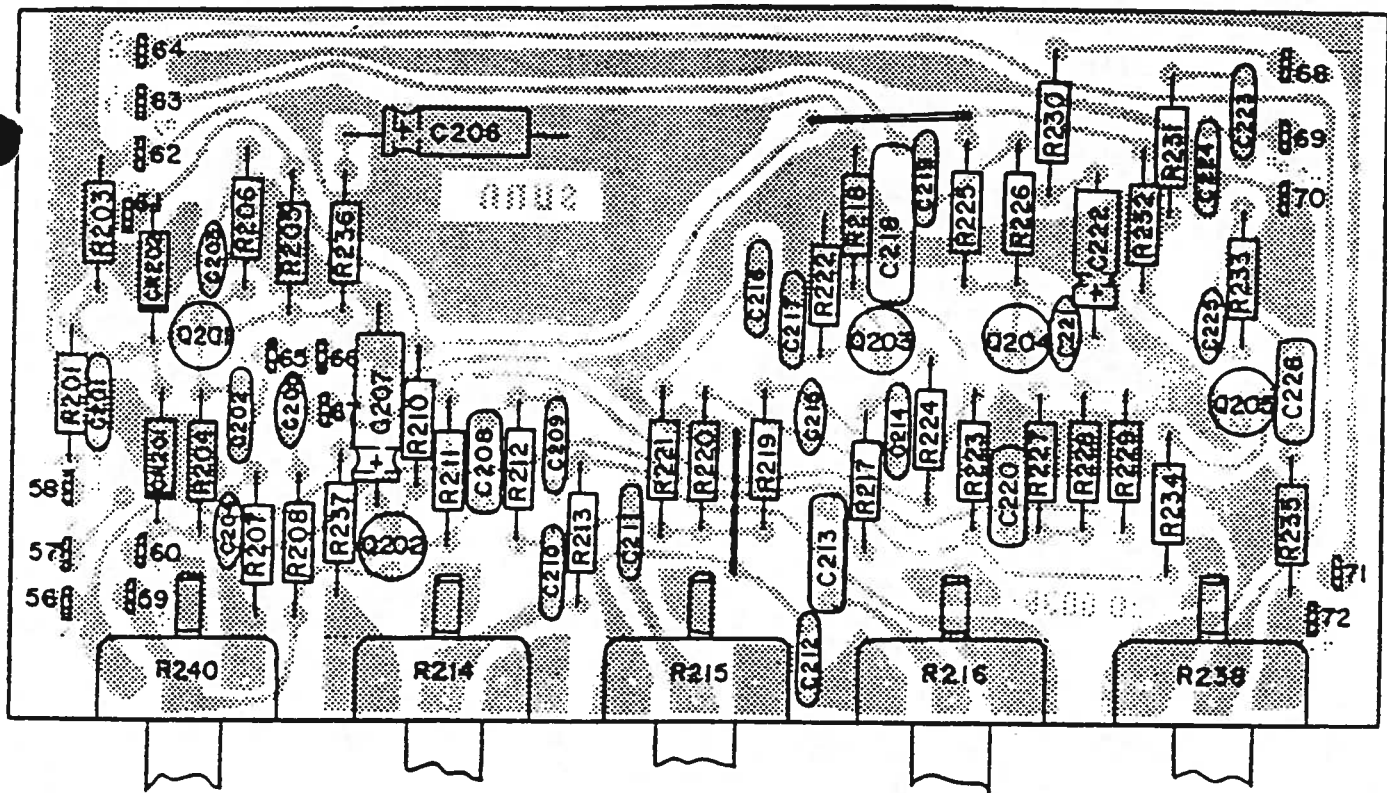
## CIRCUIT NO.

## DESCRIPTION

## SUNN PART NO.

R101,133	270K $\frac{1}{2}$ watt 5% carbon film resistor	12-4272
R102,109,136	47K $\frac{1}{2}$ watt 5% carbon film resistor	12-3472
R103	150K $\frac{1}{2}$ watt 5% carbon film resistor	12-4152
R104,145	1K $\frac{1}{2}$ watt 5% carbon film resistor	12-2102
R105,113,117,137	15K $\frac{1}{2}$ watt 5% carbon film resistor	12-3152
R106,142,124	18K $\frac{1}{2}$ watt 5% carbon film resistor	12-3182
R108,135,110	33K $\frac{1}{2}$ watt 5% carbon film resistor	12-3332
R114	1Meg $\frac{1}{2}$ watt 5% carbon film resistor	12-5102
R115	220K $\frac{1}{2}$ watt 5% carbon film resistor	12-4222
R113,120	56K $\frac{1}{2}$ watt 5% carbon film resistor	12-3562
R122,132	2.2K $\frac{1}{2}$ watt 5% carbon film resistor	12-2222
R107	220ohm $\frac{1}{2}$ watt 5% carbon film resistor	12-1222
R129,130	22K $\frac{1}{2}$ watt 5% carbon film resistor	12-3222
R129	220K $\frac{1}{2}$ watt 5% carbon film resistor	12-4622

R131	4.7K $\frac{1}{2}$ watt 5% carbon film resistor	12-2472
R134,139	10K $\frac{1}{2}$ watt 5% carbon film resistor	12-3102
R141	100K $\frac{1}{2}$ watt 5% carbon film resistor	12-4102
R138,127,112	68K $\frac{1}{2}$ watt 5% carbon film resistor	12-3682
R125	5.6K $\frac{1}{2}$ watt 5% carbon film resistor	12-2562
R140,144	330ohm $\frac{1}{2}$ watt 5% carbon film resistor	12.1332
R126	470K $\frac{1}{2}$ watt 5% carbon film resistor	12-4472
R143	15ohm 1 watt 10% carbon comp resistor	13-0151
R111	25K reverse log potentiometer	23-5009
R116,119	500K linear potentiometer	23-1267
R121,123	250K linear potentiometer	23-1269
C101,110	.001uf 600 Volt Mylar capacitor	10-8510
C102	10pf 1000 Volt Disc capacitor	10-9517
C103,109	.1uf 100 Volt Mylar capacitor	10-3521
C107	82pf 1000 Volt Disc capacitor	10-9515
C108	270pf 1000 Volt Disc capacitor	10-9520
C130,123	100pf 1000 Volt Disc capacitor	10-9517
C118	200pf 1000 Volt Disc capacitor	10-9518
C106,117	.01uf 100 Volt Mylar capacitor	10-3504
C111,112,119	.022uf 100 Volt Mylar capacitor	10-3506
C120	.033uf 100 Volt Mylar capacitor	10-3507
C113	.0015uf 1000 Volt Disc capacitor	10-9550
C114	.22uf 100 Volt Mylar capacitor	10-3526
C116	.0033uf 1000 Volt Disc capacitor	10-9553
C115	.068uf 100 Volt Mylar capacitor	10-3510
C121	.47uf 100 Volt Mylar capacitor	10-3530
C122,124	2.2uf 50 Volt Elect capacitor	10-1003
C125,126	10uf 50 Volt Elect capacitor	10-1010
C105	1.6uf 25 Volt Elect capacitor	10-1005
C127,129	220uf 63 Volt Elect capacitor	10-1027
C128	680uf 25 Volt Elect capacitor	10-1030
CR101,102	1N458A diode	22-0458
Q101,102,103	2N4304 F.E.Transistor	22-4304
Q104,105	8C107B transistor	22-0107



## PIN NO.

- |                       |                                     |
|-----------------------|-------------------------------------|
| 56. Input jack ground | 65. Treble boost switch (pin 1)     |
| 57. Normal input jack | 66. Treble boost switch (pin 2)     |
| 58. Brite input jack  | 67. + 29 Volts                      |
| 59. Input switch jack | 68. Reverb pan in                   |
| 60. + 25 Volts        | 69. Reverb pan out                  |
| 61. - 15 Volts        | 70. Reverb cable ground             |
| 62. Ground            | 71. Reverb foot switch cable ground |
| 63. Pre amp out       | 72. Reverb foot switch              |
| 64. Reverb out        |                                     |

## CIRCUIT NO.

## DESCRIPTION

## SUNN PART NO.

R201,218	270K $\frac{1}{2}$ watt 5% carbon film resistor	12-4272
R202,233	47K $\frac{1}{2}$ watt 5% carbon film resistor	12-3472
R203	150K $\frac{1}{2}$ watt 5% carbon film resistor	12-4152
R204,211	15K $\frac{1}{2}$ watt 5% carbon film resistor	12-3152
R205,210	18K $\frac{1}{2}$ watt 5% carbon film resistor	12-3182
R206,235	1K $\frac{1}{2}$ watt 5% carbon film resistor	12-2102
R207	1Meg $\frac{1}{2}$ watt 5% carbon film resistor	12-5102
R208	220K $\frac{1}{2}$ watt 5% carbon film resistor	12-4222
R212,213	56K $\frac{1}{2}$ watt 5% carbon film resistor	12-3562
R214,240	500K linear potentiometer	23-1267
R215,216	250K linear potentiometer	23-1269
R217	68K $\frac{1}{2}$ watt 5% carbon film resistor	12-3682
R219,220	22K $\frac{1}{2}$ watt 5% carbon film resistor	12-3222
R221	4.7K $\frac{1}{2}$ watt 5% carbon film resistor	12-2472
R222,237	2.2K $\frac{1}{2}$ watt 5% carbon film resistor	12-2222
R223,234	10K $\frac{1}{2}$ watt 5% carbon film resistor	12-3102
R224	620K $\frac{1}{2}$ watt 5% carbon film resistor	12-4622
R225	470K $\frac{1}{2}$ watt 5% carbon film resistor	12-4472
R226	6.8K $\frac{1}{2}$ watt 5% carbon film resistor	12-2682

R227	120K $\frac{1}{2}$ watt 5% carbon film resistor	12-4122
R228,232	100K $\frac{1}{2}$ watt 5% carbon film resistor	12-4102
R229	3.3K $\frac{1}{2}$ watt 5% carbon film resistor	12-2332
R230	150 ohm $\frac{1}{2}$ watt 5% carbon film resistor	12-1152
R231	1.5K $\frac{1}{2}$ watt 5% carbon film resistor	12-2152
R236	330 ohm $\frac{1}{2}$ watt 5% carbon film resistor	12-1332
R238	25K linear potentiometer	23-5009

C201,209	.001uf 600 Volt Mylar capacitor	10-8510
C202,214,219	.01uf 100 Volt Mylar capacitor	10-3504
C203	10pf 1000 Volt Disc capacitor	10-9517
C204	82pf 1000 Volt Disc capacitor	10-9515
C205,225	270pf 1000 Volt Disc capacitor	10-9520
C206,207	10uf 25 Volt Elect capacitor	10-1010
C210,211,216	.022uf 100 Volt Mylar capacitor	10-3506
C212	.0015uf 1000 Volt Disc capacitor	10-9550
C213	.22uf 100 Volt Mylar capacitor	10-3526
C215	200pf 100 Volt Disc capacitor	10-9518
C217	.033uf 100 Volt Mylar capacitor	10-3507
C218	.47uf 100 Volt Mylar capacitor	10-3530
C220,226,208	.1uf 100 Volt Mylar capacitor	10-3521
C221	100pf 1000 Volt Disc capacitor	10-9517
C222	2.2uf 50 Volt Elect capacitor	10-1003
C223	.047uf 100 Volt Mylar capacitor	10-3508
C224	.0047uf 1000 Volt Disc capacitor	10-9554

CR201,202	1N458 diode	22-0458
-----------	-------------	---------

Q201,202	2N4304 transistor	22-4304
Q203,204,205	8C107B transistor	22-0107

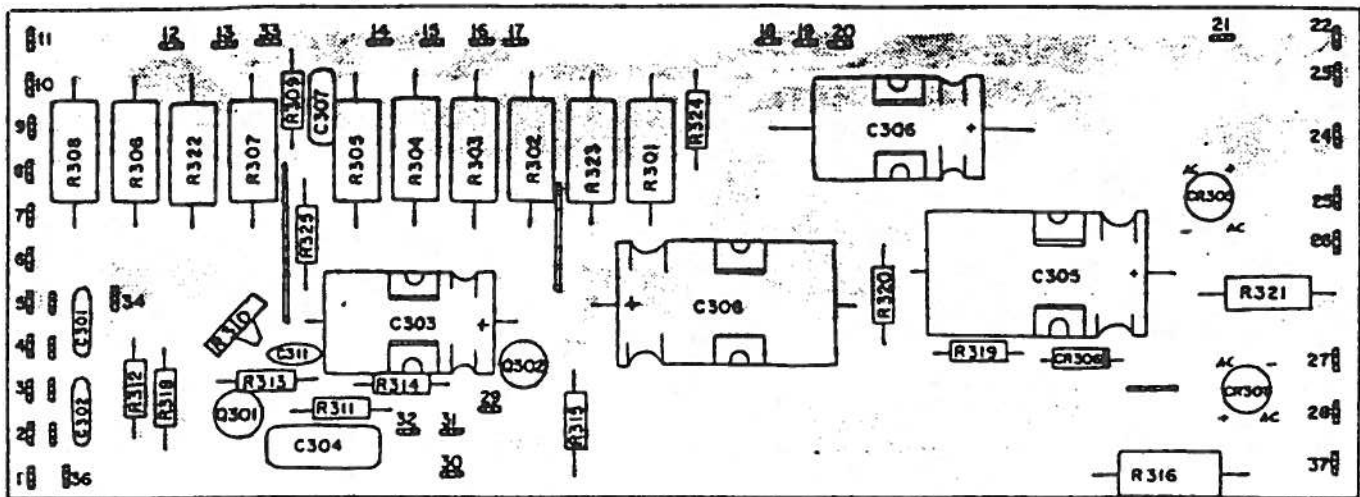
CONTROL KNOBS  
Standard numbered

59-5529

CABINET COMPONENTS  
Metal front corners  
Metal rear corners  
Handle assembly  
Metal feed thru washers  
Plastiglide feet  
Soft rubber feet  
SUNN name plate

62-0805  
62-8053  
71-0007  
43-0061  
58-1089  
58-1131  
73-0090

CONCERT LEAD  
POWER AMP  
32-0042



PIN NO.

- |                                     |                                     |
|-------------------------------------|-------------------------------------|
| 1. Driver transformer (black)       | 19. Collector of Q5                 |
| 2. Driver transformer (orange)      | 20. .27 ohm resistor (R3)           |
| 3. Driver transformer (yellow)      | 21. - side of 3400uf capacitor (C1) |
| 4. Driver transformer (white)       | 22. .27 ohm resistor (R4)           |
| 5. Driver transformer (blue)        | 23. Power transformer (green)       |
| 6. Driver transformer (violet)      | 24. + side of 1000uf capacitor (C2) |
| 7. Driver transformer (red)         | 25. Power transformer (green/white) |
| 8. Driver transformer (green)       | 26. - Side of 1000uf capacitor (C2) |
| 9. Driver transformer (gray)        | 27. Power transformer (brown)       |
| 10. Base of Q1                      | 28. Power transformer (yellow)      |
| 11. Emitter Q1                      | 29. -15 Volts                       |
| 12. .27 ohm resistor (R1)           | 30. +32 Volts                       |
| 13. Collector of Q2                 | 31. Ground                          |
| 14. Speaker jack ground             | 32. Power amp jack in               |
| 15. .27 ohm resistor (R2)           | 33. Jumper to pin 34                |
| 16. + side of 3400uf capacitor (C1) | 36. + side of 1000uf capacitor (C2) |
| 17. Collector of Q3 and Q4          | 37. + side of 1000uf capacitor (C2) |
| 18. Speaker jacks                   |                                     |

CIRCUIT NO.

DESCRIPTION

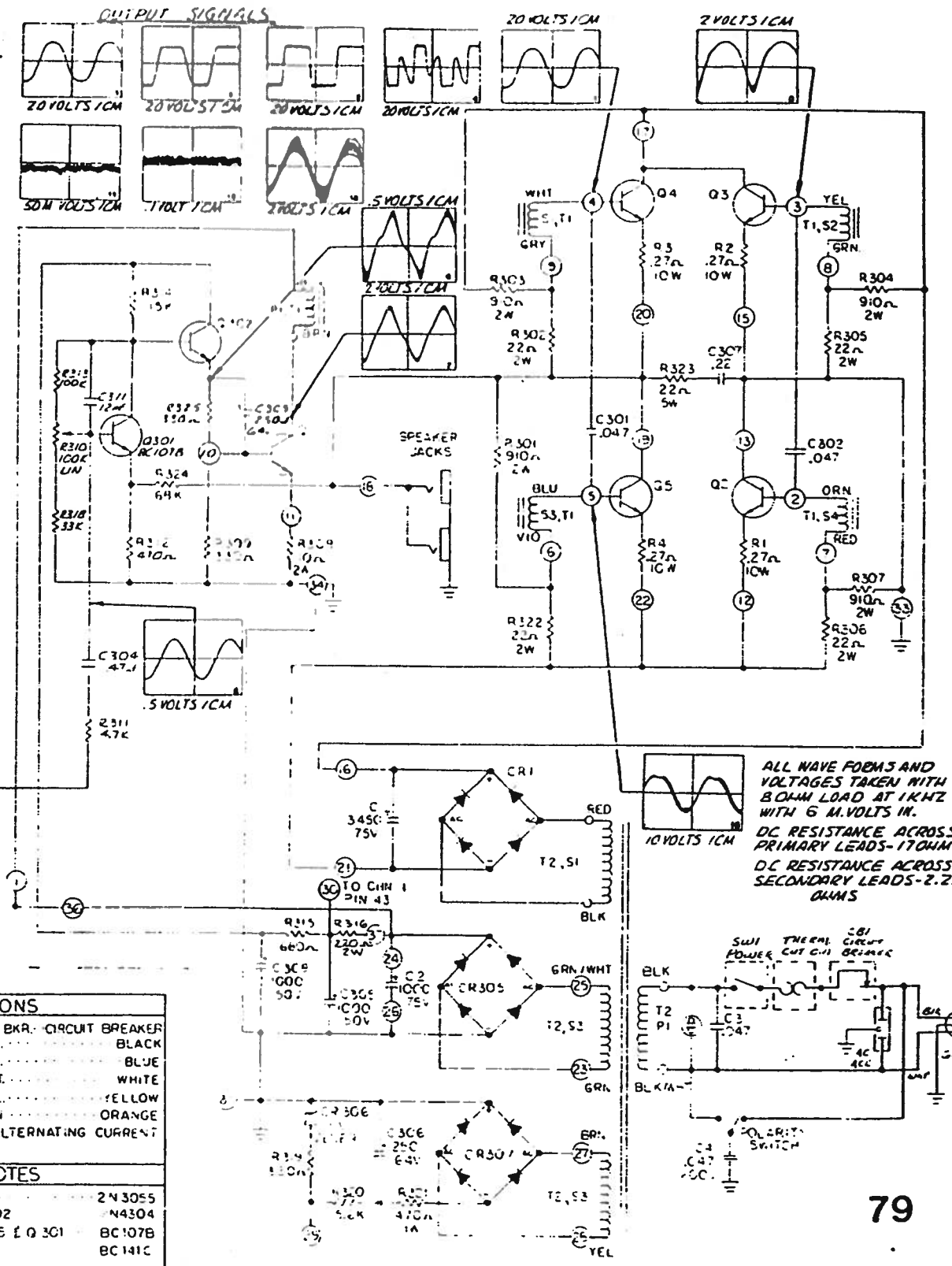
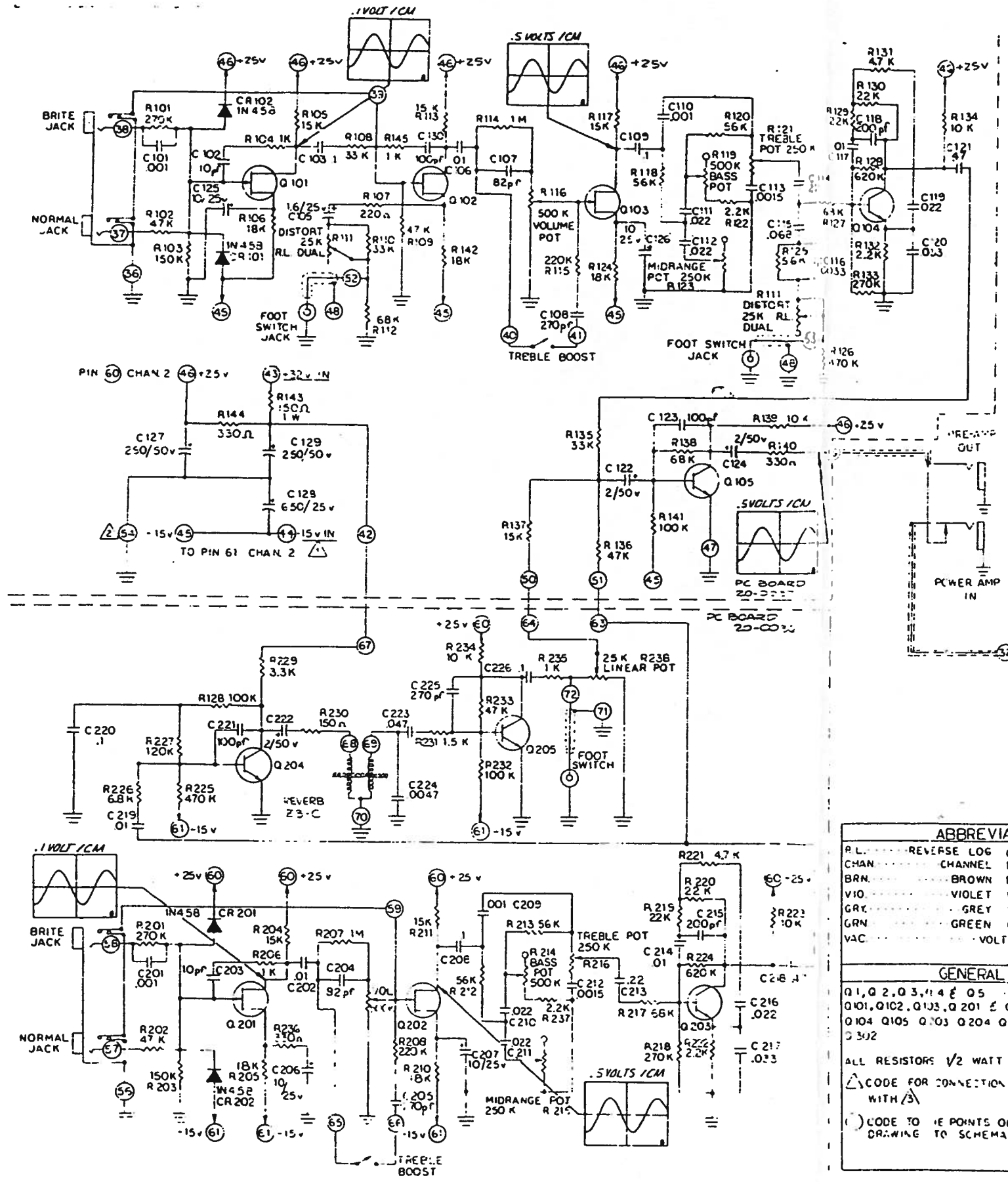
SUNN PART NO.

R312	470 ohm 1/2 watt 5% carbon film resistor	12-1472
R318	33K 1/2 watt 5% carbon film resistor	12-3332
R313	270K 1/2 watt 5% carbon film resistor	12-4272
R311	4.7K 1/2 watt 5% carbon film resistor	12-2472
R314	15K 1/2 watt 5% carbon film resistor	12-3152
R309, 319, 325	330 ohm 1/2 watt 5% carbon film resistor	12-1332
R315	680 ohm 1/2 watt 5% carbon film resistor	12-1682
R324	68K 1/2 watt 5% carbon film resistor	12-3682
R320	5.6K 1/2 watt 5% carbon film resistor	12-2562
R321	470 ohm 1 watt 10% carbon comp resistor	13-1471
R301, 303, 304, 307	910 ohm 2 watt 10% carbon comp resistor	14-1912
R308	10 ohm 2 watt 10% carbon comp resistor	14-0101
R302, 305, 306, 322	22 ohm 2 watt 10% carbon comp resistor	14-0221
R316	220 ohm 2 watt 10% carbon comp resistor	14-1221
R323	22 ohm 5 watt 10% carbon comp resistor	15-0221
R31C	10K linear potentiometer	23-4101

C301,302	.047uf 100 Volt Mylar capacitor	10-3508
C307	.22uf 100 Volt Mylar capacitor	10-3526
C304	.47uf 100 Volt Mylar capacitor	10-3530
C311	12pf 1000 Volt Disc capacitor	10-9510
C303,306	250uf 64 Volt Elect capacitor	10-1027
C305,308	1000uf 50 Volt Elect capacitor	10-2580
CR305,307	Bridge rectifier	19-0002
CR306	15 Volt Zener diode	22-0150
Q301	BC141C transistor	22-0141
Q302	BC107B transistor	22-0107



# Concert Lead

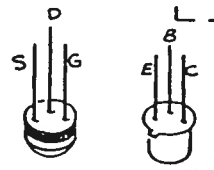
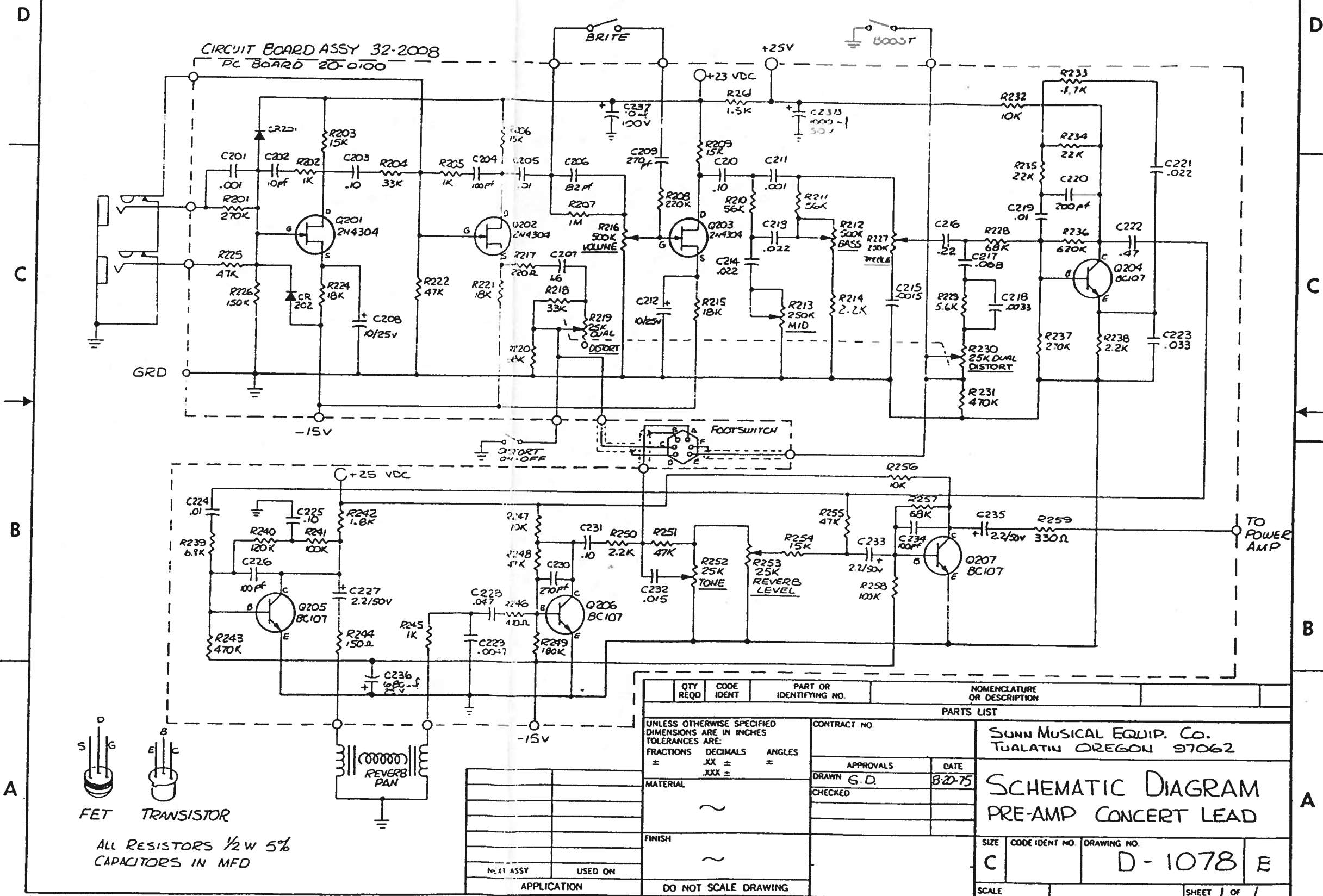


ALL WAVE FORMS AND VOLTAGES TAKEN WITH 8 OHM LOAD AT 1KHZ WITH 6 M.VOLTS IN.  
 DC RESISTANCE ACROSS T1 PRIMARY LEADS-17 OHMS  
 DC RESISTANCE ACROSS T1 SECONDARY LEADS-2.25 OHMS

ABBREVIATIONS	
R.L.	REVERSE LOG
CHAN	CHANNEL
BRN.	BROWN
VIO.	VIOLET
GRY.	GREY
GRN.	GREEN
VAC	VOLTS ALTERNATING CURRENT
CKT BKR.	CIRCUIT BREAKER
BLK.	BLACK
BLU.	BLUE
WHT.	WHITE
YEL.	YELLOW
ORN.	ORANGE
GENERAL NOTES	
Q1, Q2, Q3, Q4 & Q5	2N3055
Q101, Q102, Q103, Q201 & Q202	N4304
Q104, Q105, Q106, Q204, Q205 & Q301	BC107B
Q302	BC141C
ALL RESISTORS 1/2 WATT 10% UNLESS NOTED	
△ CODE FOR CONNECTION EXAMPLE △ CONNECTS WITH 3	
○ CODE TO POINTS ON PC BOARD COMPONENT DRAWING TO SCHEMATIC EXAMPLE ○ TO ○	

Concert Lead

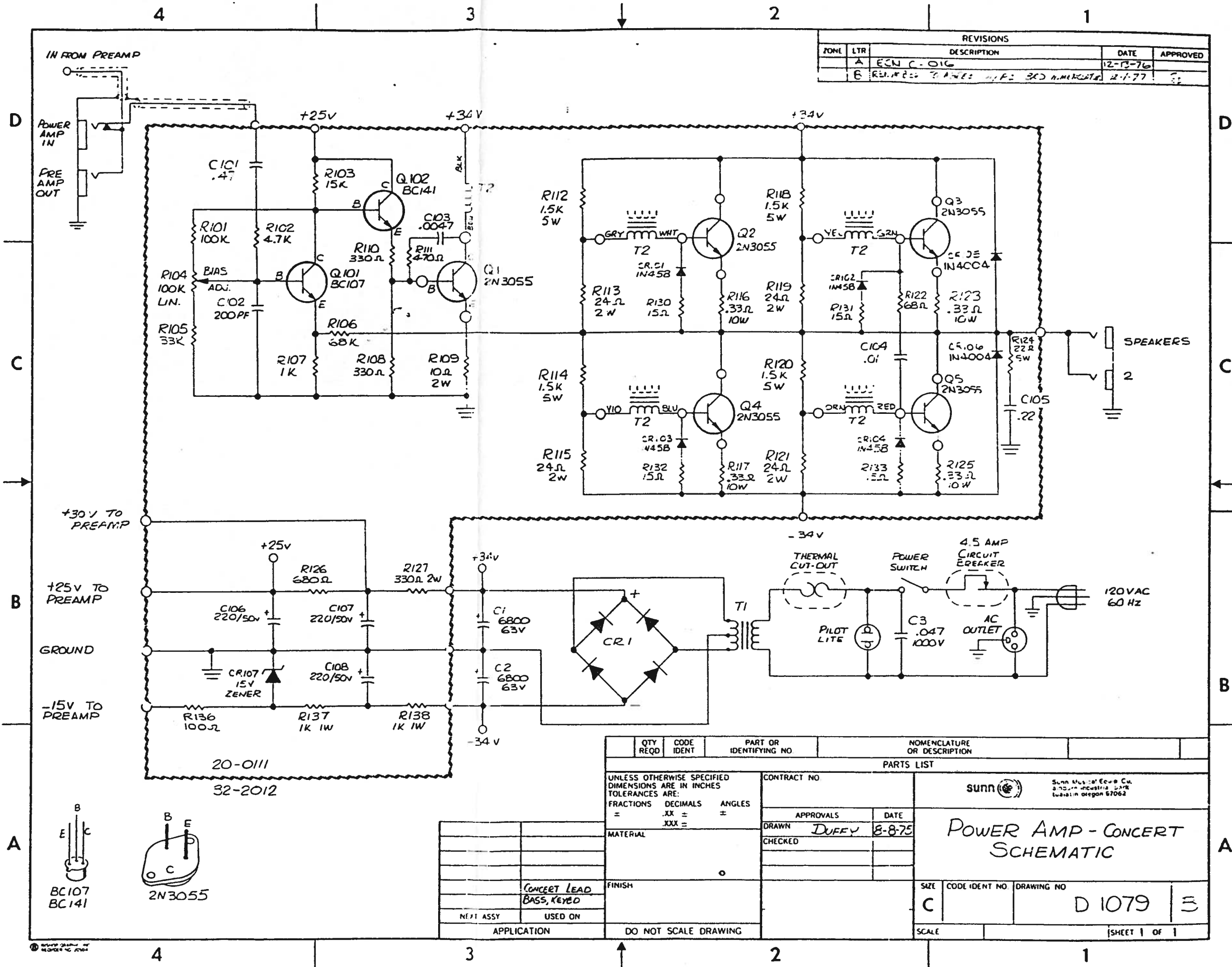
REVISIONS				
TRC	LTR	DESCRIPTION	DATE	APPROVED
A		ADDED C237, C238, C239, R261, DUAL D 4223	11-22-77	Z
B		ADD VALUES FOR AMPS W/STAMPED R101, R102, R103, R104, R105, R106	11-22-77	Z



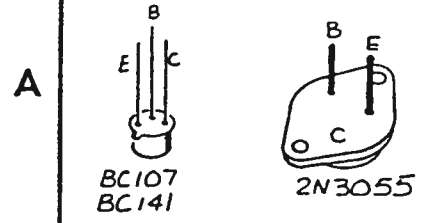
ALL RESISTORS 1/2W 5%  
CAPACITORS IN MFD

QTY REQD	CODE IDENT	PART OR IDENTIFYING NO.	NOMENCLATURE OR DESCRIPTION
PARTS LIST			
UNLESS OTHERWISE SPECIFIED DIMENSIONS ARE IN INCHES TOLERANCES ARE:		CONTRACT NO.	
FRACTIONS	DECIMALS	ANGLES	
=	.XX	=	
	.XXX		
MATERIAL		APPROVALS	
FINISH		DATE	
N.C.1 ASSY		DRAWN G.D.	
USED ON		CHECKED	
APPLICATION		DATE 8-2-75	
DO NOT SCALE DRAWING		SUNN MUSICAL EQUIP. Co. TUALATIN OREGON 97062	
SIZE C	CODE IDENT NO.	DRAWING NO. D-1078 E	
SCALE	SHEET 1 OF 1		

Concert Lead



REVISIONS				
ZONE	LTR	DESCRIPTION	DATE	APPROVED
	A	ECN C-016	12-13-76	
	B	REVISIONS TO PARTS LIST 300 H.M.K.S.T.R.	2-1-77	



QTY REQD	CODE IDENT	PART OR IDENTIFYING NO	NOMENCLATURE OR DESCRIPTION
PARTS LIST			
UNLESS OTHERWISE SPECIFIED DIMENSIONS ARE IN INCHES TOLERANCES ARE:		CONTRACT NO	
FRACTIONS	DECIMALS	ANGLES	
=	.XX =	±	
	.XXX =		
MATERIAL		APPROVALS	DATE
		DRAWN	DUFFY 8-8-75
		CHECKED	
FINISH		Sunn Musical Equip Co. 3750 NE Industrial Way Tualatin Oregon 97062	
CONCERT LEAD BASS, KEYBO			
NEXT ASSY	USED ON	SIZE	CODE IDENT NO
		C	
APPLICATION		DRAWING NO	
DO NOT SCALE DRAWING		D 1079	3
		SCALE	SHEET 1 OF 1