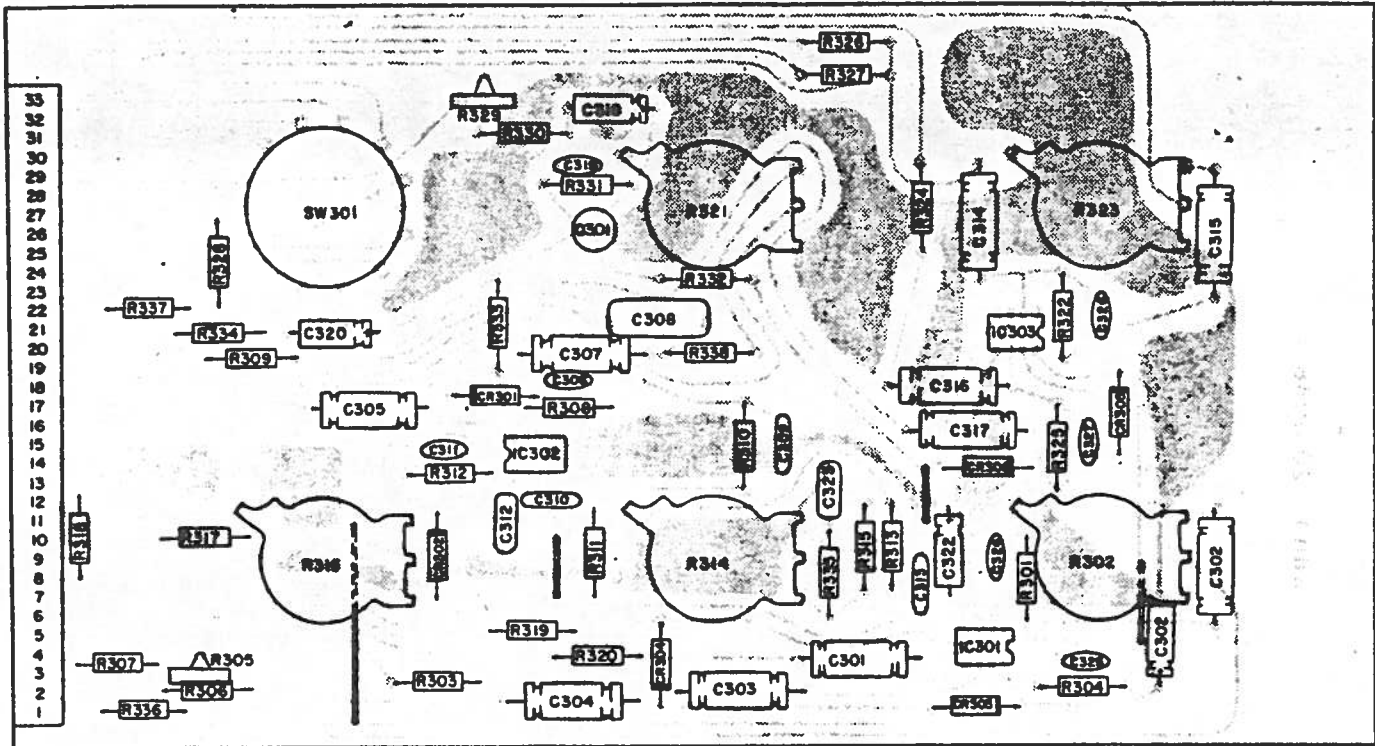


CONCERT CONTROLLER II
Amplifier Parts List

<u>TRANSISTORS</u>		
Q1, 2, 3, 4, 6	2N3055	22-3055
<u>RECTIFIERS</u>		
CR1	12 amp	19-0007
<u>TRANSFORMERS</u>		
T-1	Output	28-4300
T-2	Power	28-2602
<u>FILTER CAPACITORS</u>		
C1, 2	3400uf/75 Volt cap	10-3091
C3, 4	.047uf/600 Volt cap	10-8525
<u>SWITCHES</u>		
SW1	Lited power	24-0094
SW2	Polarity	24-0086
<u>CIRCUIT BREAKER</u>		
CB1		52-0450
Thermal cut-out		52-0350
<u>JACKS</u>		
J1, 3, 5, 7, 9, 11, 13	Switching	67-0017
15,		
J2, 4, 6, 8, 10, 12,	Cannon	65-0312
14, 16		
J18, 19, 24, 25, 26		
28, 30, 31, 32, 33		
34		67-0011
J20, 21, 22, 23, 27		
29		67-0012
<u>REVERB TRAY</u>		
O.C. Electronics		29-0006
<u>POWER CORD</u>		
3 wire / AC outlet		68-6685
<u>KNOBS</u>		
Slide pointer		59-0851
Small pointer		59-0840
<u>METER</u>		
Main VU meter		60-0001
Monitor VU meter		60-0001

MAIN MIXER
32-0053



PIN NO.

- | | | |
|---------------------|---------------------------|---------------------------|
| 1. Main GEQ (out) | 12. Ground | 23. Channel 6 into VU sw. |
| 2. + 15 Volts | 13. Reverb foot switch | 24. Channel 5 into VU sw. |
| 3. Main out | 14. Ground | 25. Channel 4 into VU sw. |
| 4. Main VU out | 15. Pre amp in | 26. Channel 1 into VU sw. |
| 5. Main GEQ (in) | 16. Reverb pan out | 27. Channel 2 into VU sw. |
| 6. Main mix in | 17. Effects out | 28. Channel 3 into VU sw. |
| 7. Stereo record in | 18. Reverb pan in | 29. Monitor in |
| 8. Pre amp in | 19. Monitor VU meter | 30. Stereo record in |
| 9. - 15 Volts | 20. Monitor out | 31. Monitor mix in |
| 10. Ground | 21. Channel 8 into VU sw. | 32. Monitor GEQ (out) |
| 11. Ground | 22. Channel 7 into VU sw. | 33. Monitor GEQ (in) |

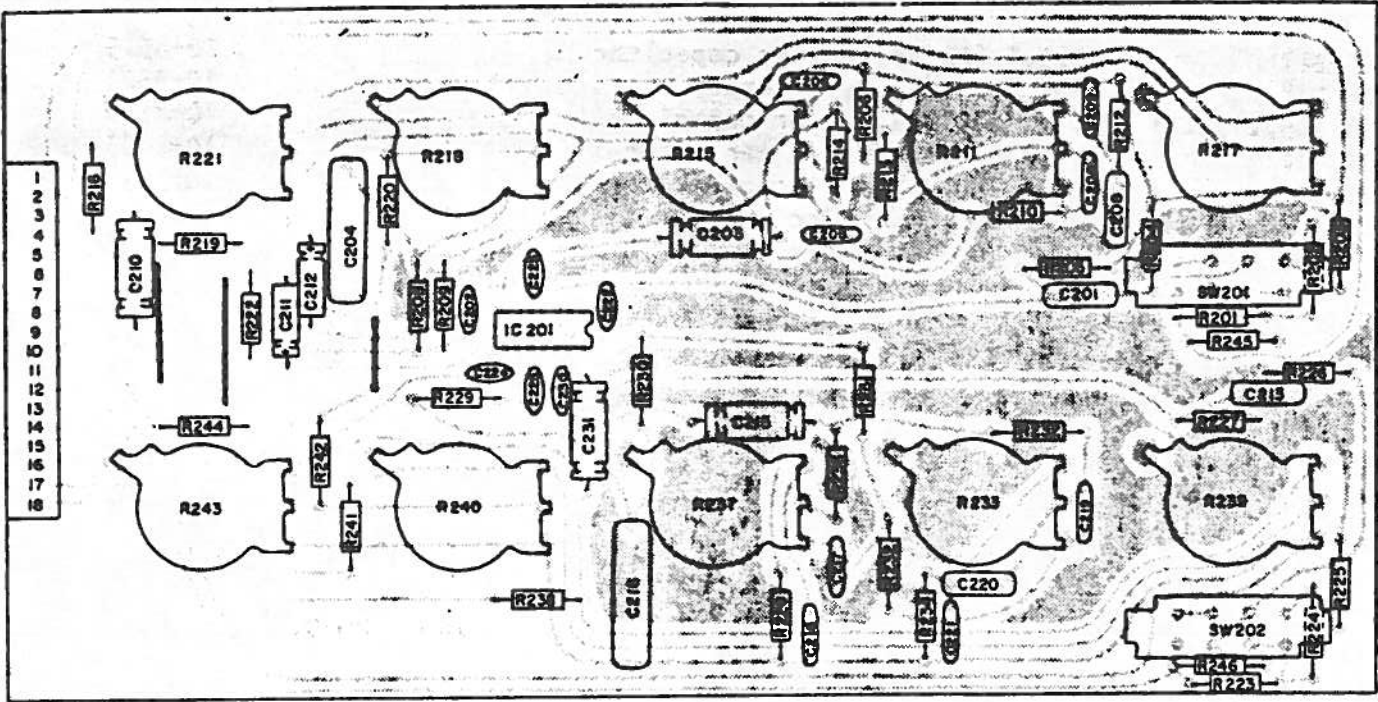
CIRCUIT NO.

DESCRIPTION

SUNN PART NO.

R336,337,338	150 ohm 1/2 watt 5% carbon film resistor	12-1152
R307	820 ohm 1/2 watt 5% carbon film resistor	12-1822
R306,330	4.7K 1/2 watt 5% carbon film resistor	12-2472
R317,333	6.8K 1/2 watt 5% carbon film resistor	12-2682
R318,315,311	10K 1/2 watt 5% carbon film resistor	12-3102
R328	120K 1/2 watt 5% carbon film resistor	12-4122
R334	1K 1/2 watt 5% carbon film resistor	12-2102
R309	330 ohm 1/2 watt 5% carbon film resistor	12-1332
R331	220K 1/2 watt 5% carbon film resistor	12-4222
R326,327,319,320	47K 1/2 watt 5% carbon film resistor	12-3472
R332,308	470K 1/2 watt 5% carbon film resistor	12-4472
R312	270K 1/2 watt 5% carbon film resistor	12-4272
R303,322,301	22K 1/2 watt 5% carbon film resistor	12-3222
R310	3.3K 1/2 watt 5% carbon film resistor	12-2332
R325,304	82K 1/2 watt 5% carbon film resistor	12-3822
R313	100K 1/2 watt 5% carbon film resistor	12-4102

R335	2.2K $\frac{1}{2}$ watt 5% carbon film resistor	12-2222
R305,329	25K trim potentiometer	23-2531
R321,323,302	25K linear potentiometer	23-1111
R316,314	25K reverse log potentiometer	23-1112
C301,302,303,305 307,314,315,316	2.2uf 50 Volt NP Elect capacitor	10-1002
C304,317	10uf 50 Volt NP Elect capacitor	10-1011
C306	10pf 1000 Volt Disc capacitor	10-9509
C308	.47uf 100 Volt Mylar capacitor	10-3530
C309	.0047uf 1000 Volt Disc capacitor	10-9554
C310	.1uf 100 Volt Mylar capacitor	10-3521
C311,319	47pf 1000 Volt Disc capacitor	10-9514
C313	.047uf 100 Volt Mylar capacitor	10-3508
C318,320,322	2.2uf 50 Volt Elect capacitor	10-1003
C323,312	.22uf 100 Volt Mylar capacitor	10-3526
C324,326	82pf 1000 Volt Disc capacitor	10-9515
C325,327	12pf 1000 Volt Disc capacitor	10-9510
CR301,302,303, 304,305,306	1N458 diode	22-0458
IC301,302,303	OP amp	22-5558
Q301	BC107B transistor	22-0107



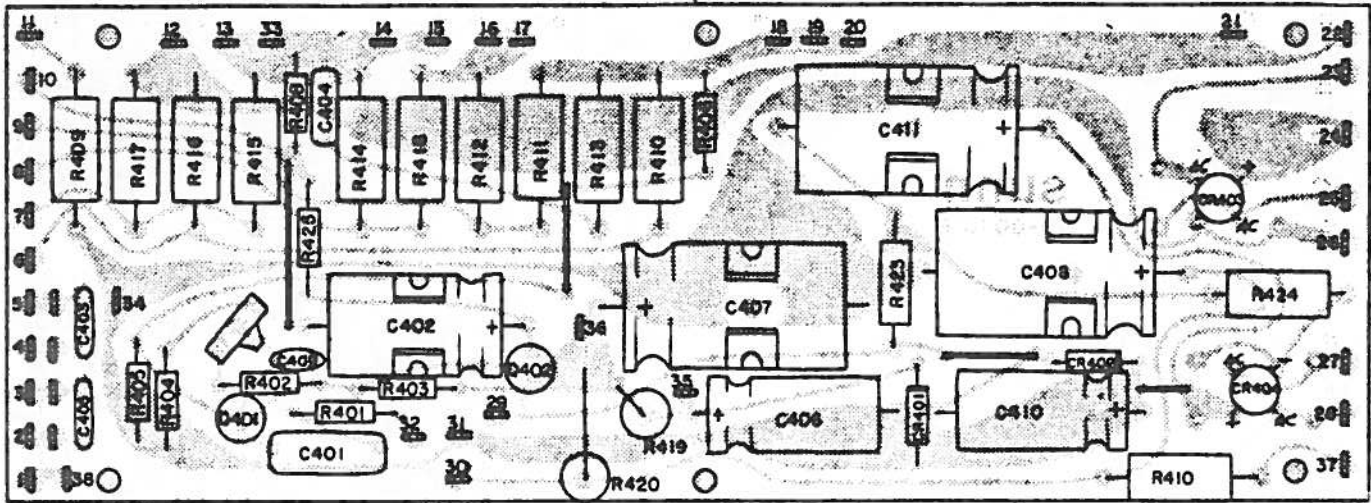
PIN NO.

- | | | |
|------------------|------------------------|-------------------|
| 1. Input | 7. No connection | 13. VU meter |
| 2. Input ground | 8. Power-supply ground | 14. No connection |
| 3. VU meter | 9. Reverb out | 15. No connection |
| 4. Main out | 10. - 15 Volts | 16. No connection |
| 5. No connection | 11. + 15 Volts | 17. Input ground |
| 6. No connection | 12. Monitor out | 18. Input |

CIRCUIT NO.	DESCRIPTION	SUNN PART NO.
R201,223	4.7K ½ watt 5% carbon film resistor	12-2472
R202,213,214,232, 236	12K ½ watt 5% carbon film resistor	12-3122
R203,225	680 ohm ½ watt 5% carbon film resistor	12-1682
R204, 205,208,226 227, 230	100K ½ watt 5% carbon film resistor	12-4102
R206,228	3.3K ½ watt 5% carbon film resistor	12-2332
R207,229	47K ½ watt 5% carbon film resistor	12-3472
R209,231,245,246	10K ½ watt 5% carbon film resistor	12-3102
R210,232	15K ½ watt 5% carbon film resistor	12-3152
R211,215,233,237	25K reverse log potentiometer	23-1112
R212,234	470 ohm ½ watt 5% carbon film resistor	12-1472
R216,219,220,222 238,241,242,244	22K ½ watt 5% carbon film resistor	12-3222
R217,218,221,239 240,243	100K linear potentiometer	23-1110
R224	1.2K ½ watt 5% carbon film resistor	12-2122
C201,208,213,220	.22uf 100 Volt Mylar capacitor	10-3526
C202	12pf 1000 Volt Disc capacitor	10-9510
C203,210,215,222	2.27f 25 Volt N.P. Elect capacitor	10-1002
C204,216	.82uf 100 Volt Mylar capacitor	10-3540

C205,217	.005uf 600 Volt Mylar capacitor	10-8515
C206,218	.1uf 100 Volt Mylar capacitor	10-3521
C207,209,219,221	.01uf 100 Volt Mylar capacitor	10-3504
C211,212	2.2uf 50 Volt Elect capacitor	10-1003
C222,224	200pf 1000 Volt Disc capacitor	10-9518
C223	12pf 1000 Volt Disc capacitor	10-9510
C223,225	390pf 1000 Volt Disc capacitor	10-9525
IC201	Intergrated circuit	22-5000
SW201,202	Slide switch	24-0096

POWER AMP
32-0057



PIN NO.

- | | |
|-------------------------------------|-------------------------------------|
| 1. Driver transformer (black) | 20. .27 ohm resistor (R5) |
| 2. Driver transformer (orange) | 21. - side of 3400uf capacitor (C1) |
| 3. Driver transformer (yellow) | 22. .27 ohm resistor |
| 4. Driver transformer (white) | 23. Power transformer (green) |
| 5. Driver transformer (blue) | 24. + side of 1000uf capacitor (C2) |
| 6. Driver transformer (violet) | 25. Power transformer (green/white) |
| 7. Driver transformer (red) | 26. - side of 1000uf capacitor (C2) |
| 8. Driver transformer (green) | 27. Power transformer (brown) |
| 9. Driver transformer (grey) | 28. Power transformer (yellow) |
| 10. Base of Q6 | 29. -15 Volts |
| 11. Emitter of Q6 | 30. +32 Volts |
| 12. .27 ohm resistor (R8) | 31. Ground |
| 13. Collector of Q5 | 32. Power amp in |
| 14. Speaker Jack ground | 33. Jumper to pin 34 |
| 15. .27 ohm resistor (R6) | 35. +15 Volts |
| 16. + side of 3400uf capacitor (C1) | 36. +30 Volts |
| 17. Collector of Q1 and Q2 | 37. + side of 1000uf capacitor (C2) |
| 18. Speaker Jacks | 38. + side of 1000uf capacitor (C2) |
| 19. Collector Q4 | |

CIRCUIT NO.

DESCRIPTION

SUNN PART NO.

R401	68K ½ watt 5% carbon film resistor	12-3682
R402	220K ½ watt 5% carbon film resistor	12-4222
R403	15K ½ watt 5% carbon film resistor	12-3152
R404,406	33K ½ watt 5% carbon film resistor	12-3332
R405	470 ohm ½ watt 5% carbon film resistor	12-1472
R407	100K linear trim potentiometer	23-4101
R408,425	330 ohm ½ watt 5% carbon film resistor	12-1332
R409	10 ohm 2 watt 10% carbon comp resistor	14-0101
R410,412,415,418	910 ohm 2 watt 10% carbon comp resistor	14-1912
R411,414,416,417	22 ohm 2 watt 10% carbon comp resistor	14-0221
R413	22 ohm 5 watt 10% wire wound resistor	15-0221
R419	470 ohm 2 watt 10% carbon comp resistor	14-1471
R420	150 ohm 2 watt 10% carbon comp resistor	14-1151
R412	100 ohm 2 watt 10% carbon comp resistor	14-1101
R423	220 ohm 1 watt 5% carbon comp resistor	13-1222
R424	510 ohm 5 watt 10% wire wound resistor	15-1511

C401	.47uf 100 Volt Mylar capacitor	10-3530
C402	250uf 64 Volt Elect capacitor	10-1027
C403,405	.047uf 100 Volt Mylar capacitor	10-3508
C404	.22uf 100 Volt Mylar capacitor	10-3526
C406,410	250uf 25 Volt Elect capacitor	10-1025
C407,408,411	1000uf 50 Volt Elect capacitor	10-2580
C409	12pf 1000 Volt Disc capacitor	10-9510
CR401,402	15 Volt zener diode	22-0150
CR403,404	Bridge rectifier	19-0002
Q401	BC107B transistor	22-0107
Q402	BC141C transistor	22-0141

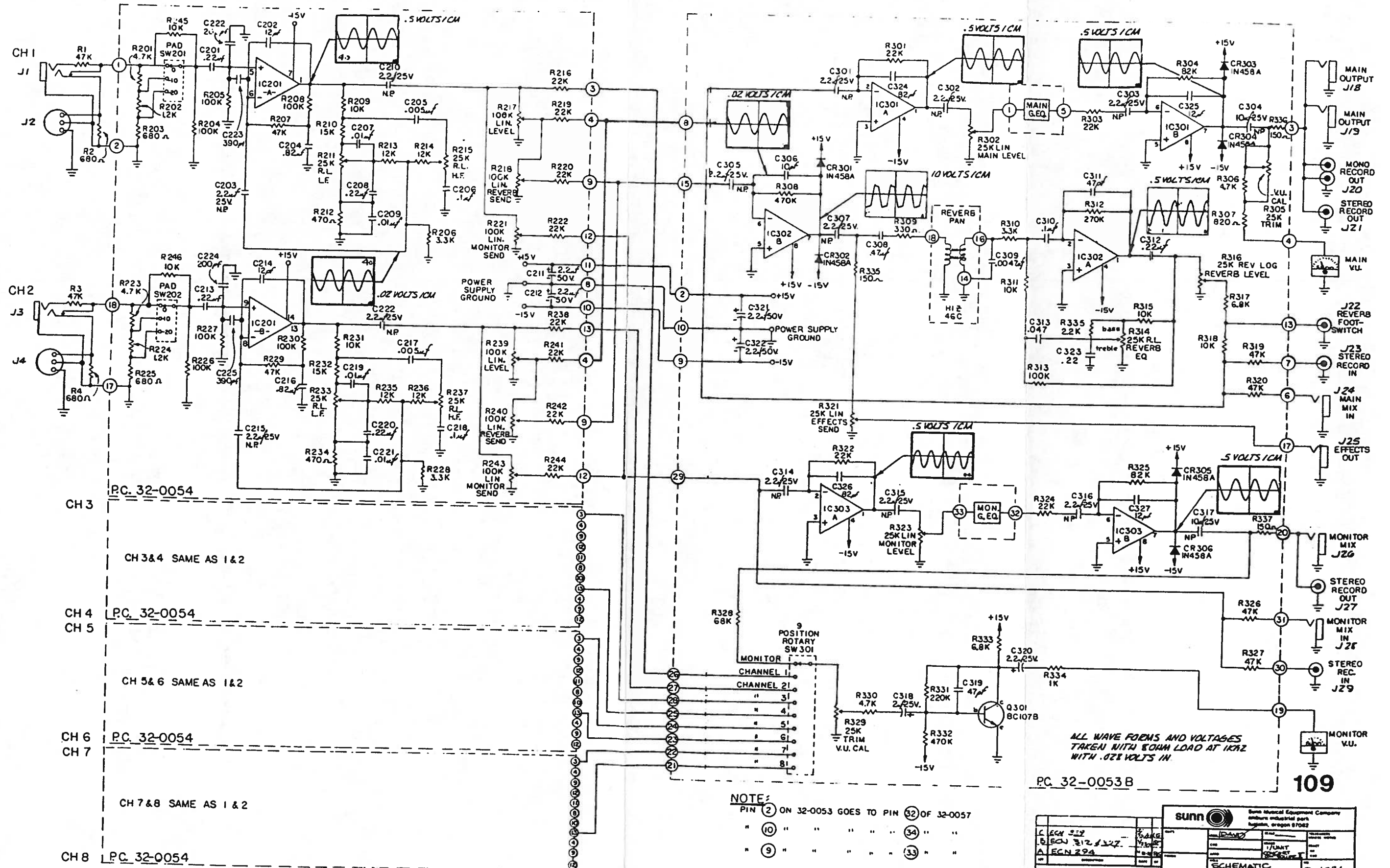
RESISTORS

R1,3,5,7,9,11, 13,15	47K $\frac{1}{2}$ watt resistor	12-3472
R2,4,6,8,10, 12,14,16	680 ohm $\frac{1}{2}$ watt resistor	12-1682
R5,6,7,8	.27 ohm 10 watt resistor	17-0002
R9,10	350 ohm 5 watt resistor	15-1351

CABINET HARDWARE

Handle assembly		71-0007
Metal corner - 2 hole		62-8053
Soft rubber feet		58-1131
Hinge		71-0005
Latch		71-0011
Plastiglidle feet		58-1089

Concert Controller II



ALL WAVE FORMS AND VOLTAGES
TAKEN WITH 500M LOAD AT 1KHZ
WITH .028 VOLTS IN

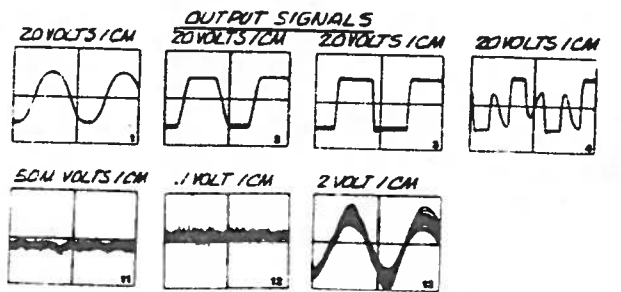
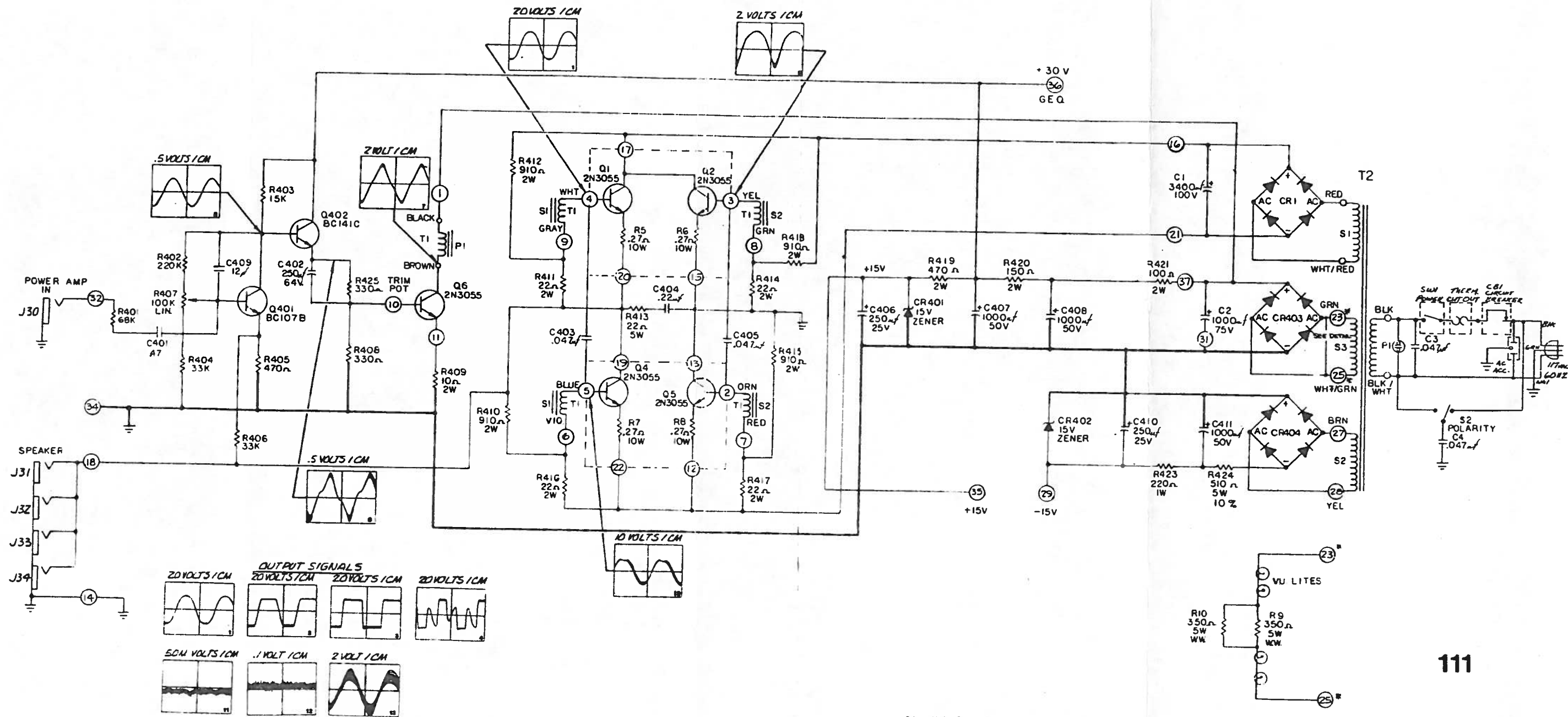
NOTE:
PIN (2) ON 32-0053 GOES TO PIN (32) OF 32-0057
" (10) " " " " " (34) " "
" (9) " " " " " " (33) " "

PC 32-0053 B **109**

SUNN		Sunn Musical Equipment Company and/or industrial parts Inglewood, Oregon 97032	
ECN 512	DATE	BY	UNIT
ECN 312 322			
ECN 294			
SCHEMATIC (MANUAL)		D-1026	

SHEET 1 OF 2

57-17



ALL WAVE FORMS AND VOLTAGES TAKEN AT 1KHZ WITH .1 VOLTS IN.
 DC RESISTANCE ACROSS T1 PRIMARY LEADS 17 OHMS
 DC RESISTANCE ACROSS T1 SECONDARY LEADS 2.25 OHMS.

Sunn Musical Equipment Company 2000 Industrial Park Astoria, Oregon 97102	
B ECH 329/349 A 10/10/72	SCHEMATIC - POWER CONTACT CONTROLLER II D-1026 B SALET 2042