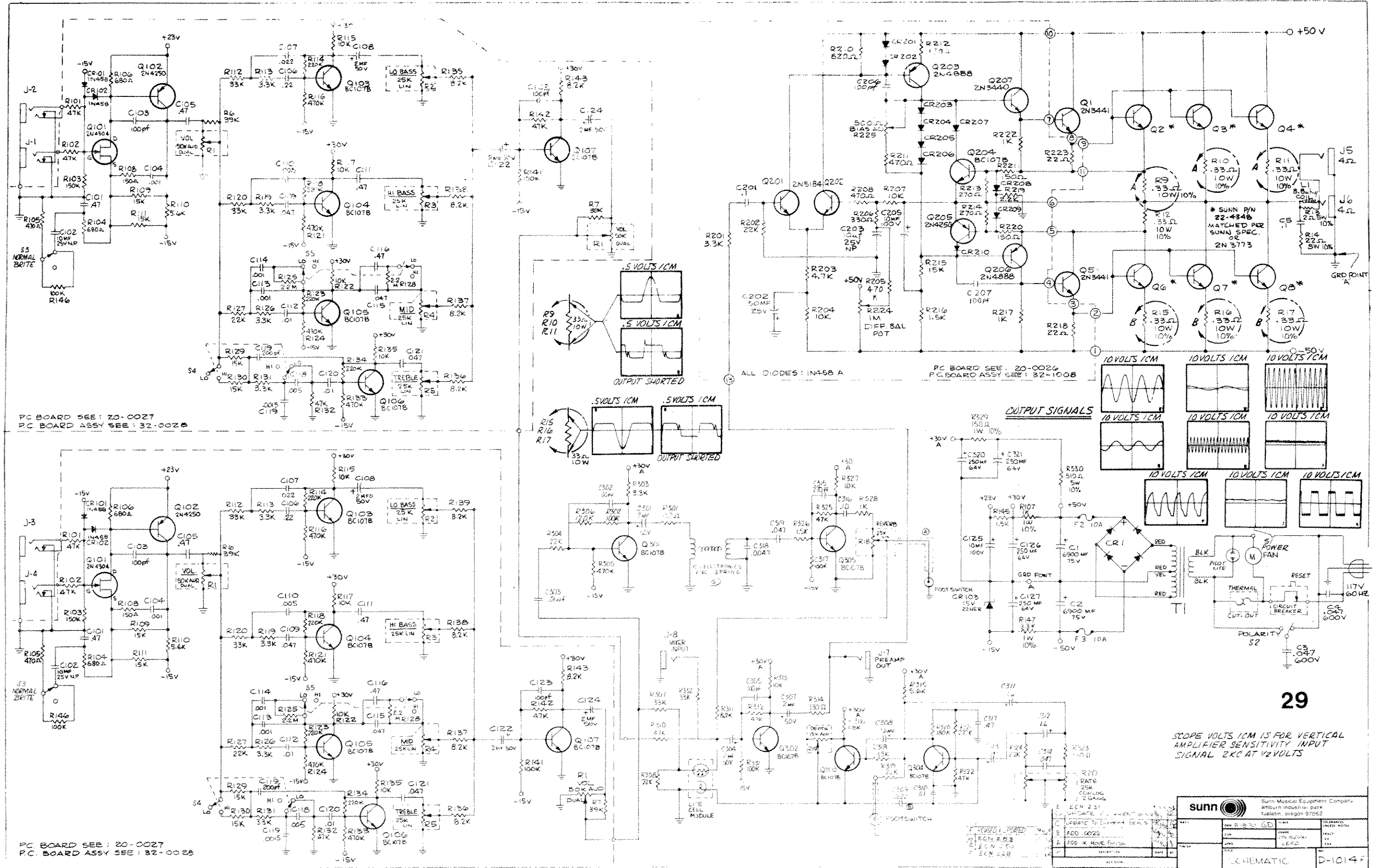


# Coliseum Lead



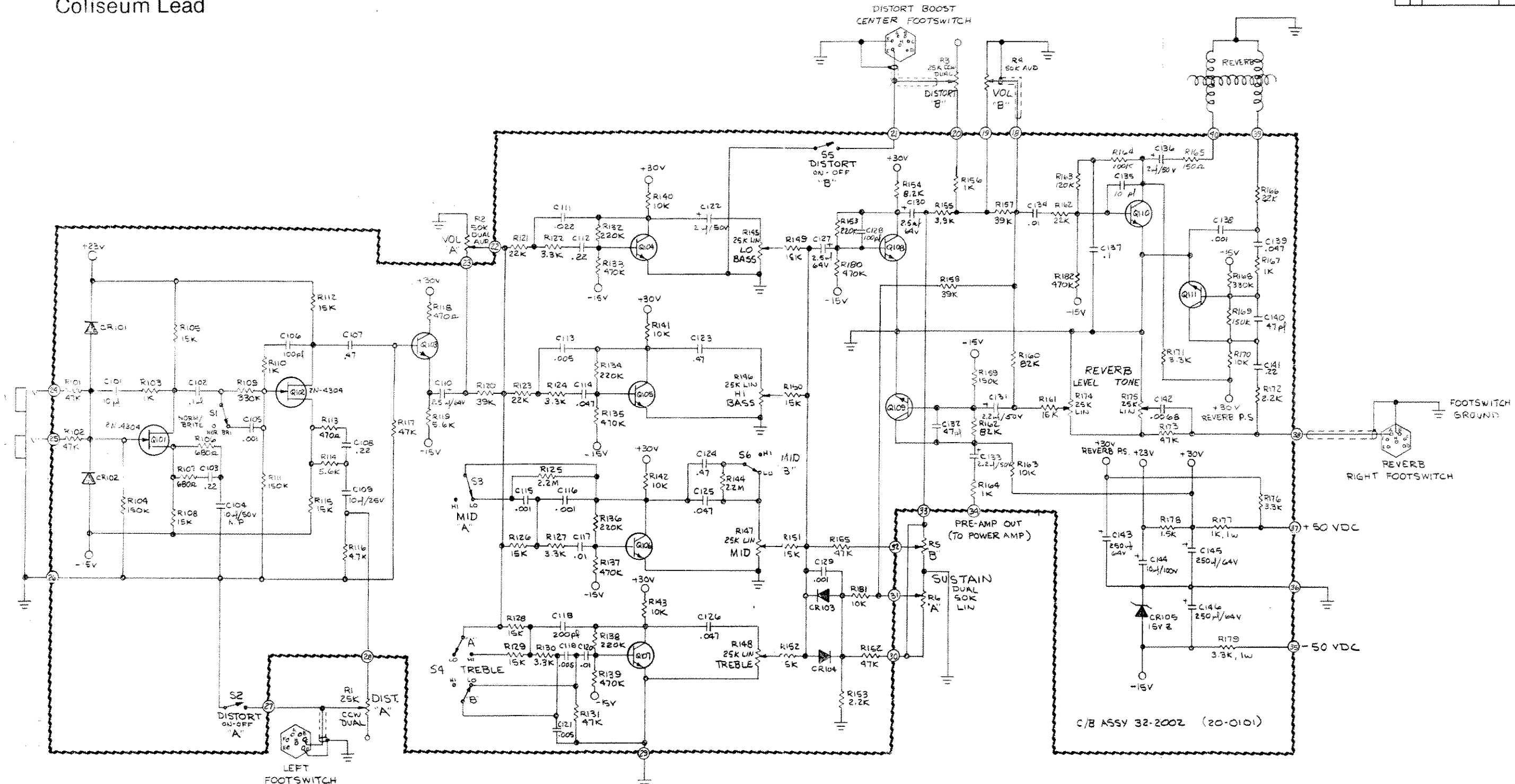
COLISEUM LEAD  
Amplifier Parts List

<u>TRANSISTORS, DIODES, SEMICONDUCTORS</u>		
Q201,202	2N5184	22-5184
Q203,206	2N4888	22-4888
Q204,103,104,105		
106,301,302,303		
304,305	BC107B transistor	22-0107
CR201,210	1N458	22-0458
CR101,102	1N458	22-0458
CR103	15Volt zener	22-0150
LRD Sigma Data Cell		-2-0003
<u>RECTIFIER</u>		
CRI	12 amp	19-0007
<u>TRANSFORMER</u>		
T-1		28-1419
<u>FILTER CAPACITORS</u>		
C1,C2	69000mfd/75 Volt cap	10-1035
C127,126,320,321	250mfd/64 Volt cap	10-1027
C125	10mfd/100 Volt cap	10-3570
<u>SWITCHES</u>		
SW1	power switch	24-0088
SW2	Polarity switch	24-0040
SW3	DPDT slide switch	24-0045
<u>CONTROLS</u>		
R19	Depth 15K audio	23-2154
R20	Rate 25K CCW log 2 Grams	23-5009
R224	1 Meg differential balance	23-1106
R225	500 ohm bias adjustment	23-1107
R1A,1B	50K audio dual	23-6255
R2,3,4,5,18	25K linear	23-1253
<u>RESISTORS</u>		
R9,10,11,12,15		
16,17	Emitter resistor .33 ohm 10 watt	17-0003
<u>CIRCUIT BREAKER</u>		
6 amp 47-00P-700		52-0600
Thermal cut out T1 #20 700L 76°C		52-0350
<u>FAN</u>		
Pamotor		27-0000

<u>JACKS</u>		
J1,2,3,4	Switchable input	67-0014
J5,6,7,8	Open Circuit jack	67-0011
<u>REVERB PAN</u>		
Reverb springs - Gibbs 4C		29-0005
<u>CABINET HARDWARE</u>		
Handle assembly		71-0007
Metal rear corner - 2 hole		62-8053
Metal front corner - 3 hole		62-0805
Soft rubber feet		58-1131
Parallel		

# Coliseum Lead

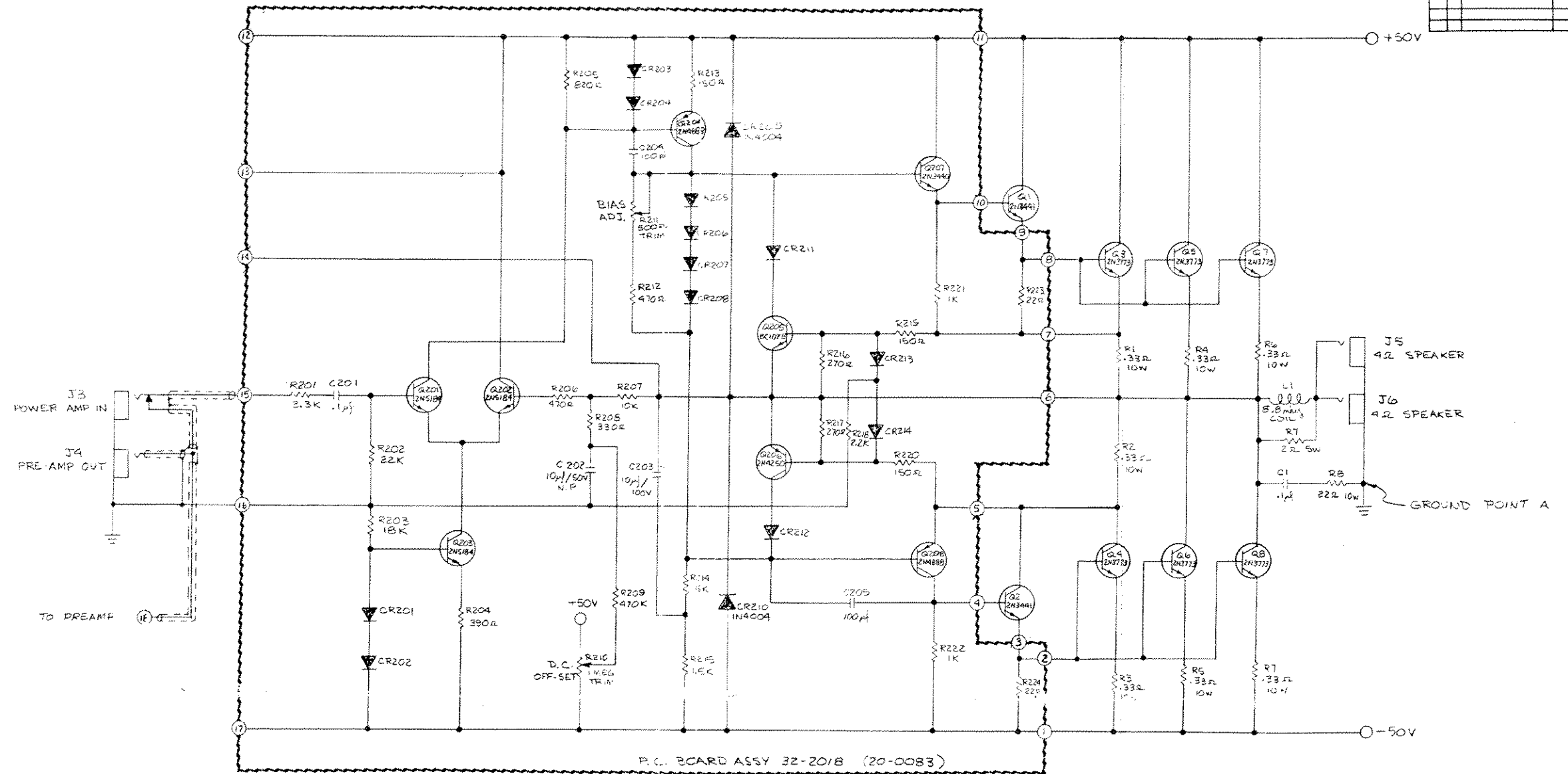
DATE	BY	REVISION	RECORD	AUTH	DR	CR



ALL RESISTORS ARE 1/2W ±5% UNLESS OTHERWISE NOTED  
 ALL DIODES ARE 1N438 UNLESS OTHERWISE NOTED  
 ALL TRANSISTORS ARE BC107B UNLESS OTHERWISE NOTED

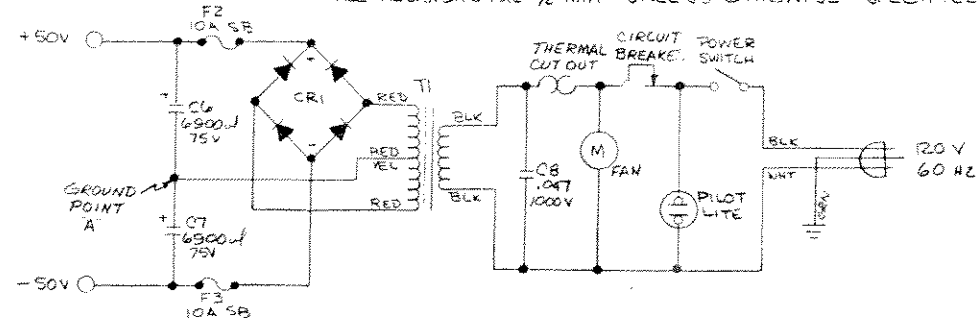
TOLERANCES	UNLESS AS NOTED	SCALE	DRAWN BY
DECIMAL	COLISEUM LEAD	—	
FRACTIONAL	TITLE		
ANGULAR	DATE	DRAWING NUMBER	
±	8-12-75	D1073	

DATE	REVISION	RECORD	AUTH	DR.	CA.



P.C. BOARD ASSY 32-2018 (20-0083)

ALL DIODES ARE 1N458A UNLESS OTHERWISE SPECIFIED.  
ALL RESISTORS ARE 1/2 WATT UNLESS OTHERWISE SPECIFIED.



TOLERANCES (EXCEPT AS NOTED)		SCALE		DRAWN BY	
DECIMAL	±	1/8"	1/4"		
FRACTIONAL	±				
ANGULAR	±				

COL. SERIES.	DATE	DRAWING NUMBER
SCHEMATIC, POWER AMP	7-21-75	D1075

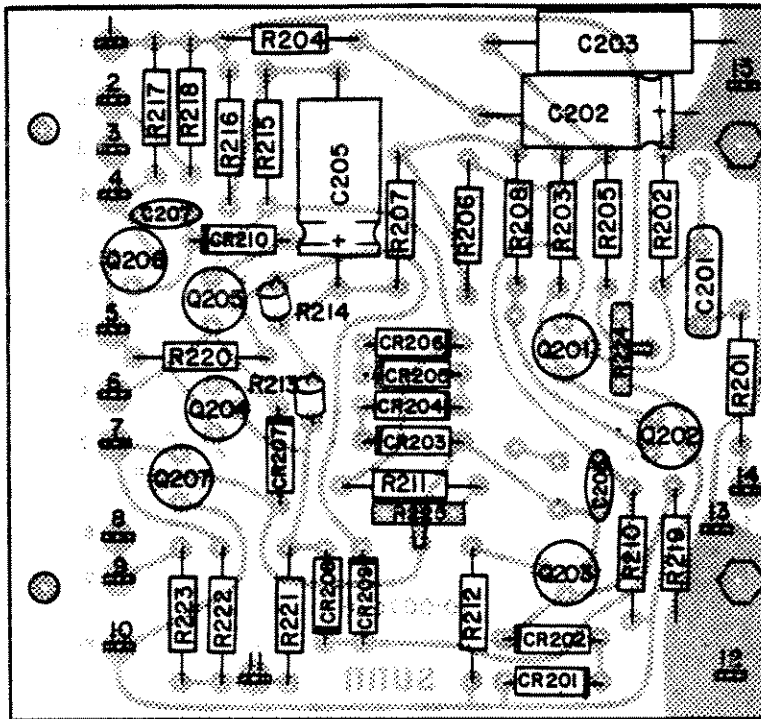
PARTS LIST

Coliseum Lead, Bass, Keyboard

	<u>Description</u>	<u>SUNN Part #</u>
Diodes	IN458	22-0458
	IN4004	22-2070
Transistors	BC107	22-0107
	MPSA43	22-5184
	2N4888	22-4888
	2N4250	22-4250
	2N3440	22-3440
	2N3441	22-3441
	2N3773	22-3773
Misc. parts		
Power transformer		28-1419
Power cord		68-6685
Bridge rectifier		19-0121
Circuit breaker		52-0600
Cord wrap		48-0000
Fan		27-0000
Filter capacitor	75V, 6900uf	10-1035
Speaker output jack		67-0011
Handle strap		71-0007-1
Handle clip		71-0007-2
Handle cover		71-0007-3
Rubber feet		58-1131

# Coliseum Lead

POWER AMP  
32-1008



## PIN NO.

- |                      |                         |
|----------------------|-------------------------|
| 1. -45 or -50 Volts  | 8. Emitter of Q1        |
| 2. Base of Q6        | 9. Base of Q2           |
| 3. Emitter of Q5     | 10. +45 or +50 Volts    |
| 4. Base of Q5        | 11. Emitter of Q2       |
| 5. Collector Q5 & Q6 | 12. Input ground shield |
| 6. Speaker           | 13. Input               |
| 7. Base of Q1        |                         |

## CIRCUIT NO.

## DESCRIPTION

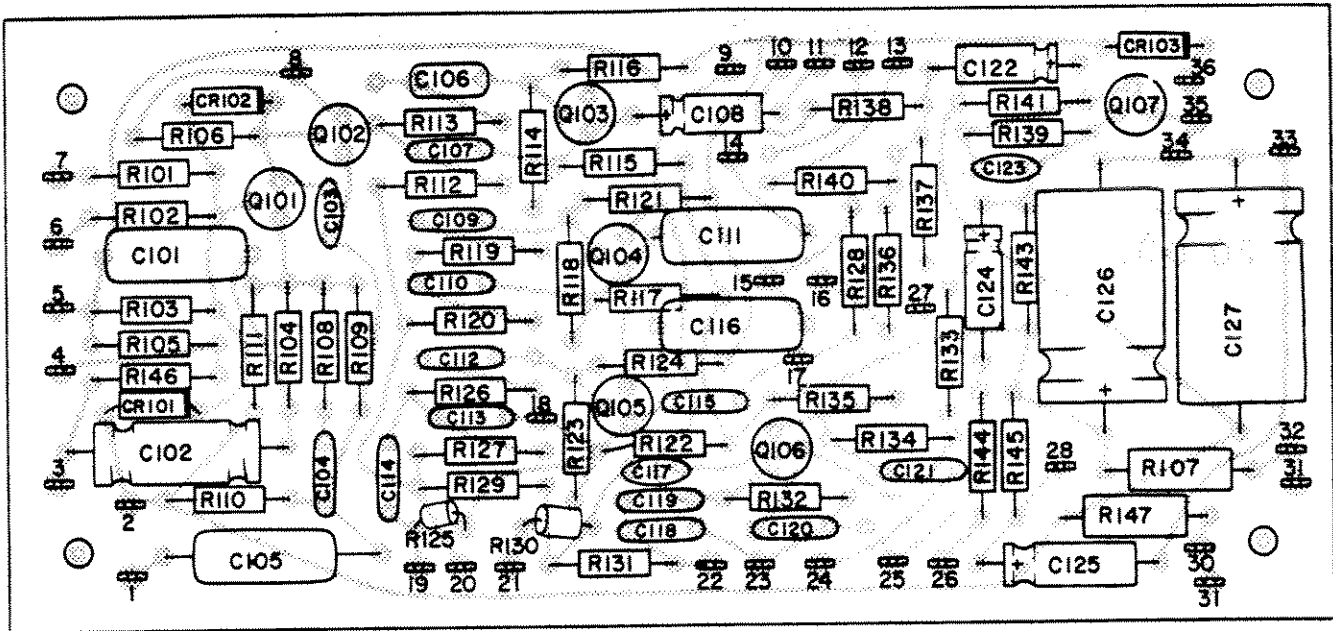
## SUNN PART NO.

R201,204,207	10K $\frac{1}{2}$ watt 5% carbon film resistor	12-3102
R202	47K $\frac{1}{2}$ watt 5% carbon film resistor	12-3472
R203	4.7K $\frac{1}{2}$ watt 5% carbon film resistor	12-2472
R205	470K $\frac{1}{2}$ watt 5% carbon film resistor	12-4472
R206	330 ohm $\frac{1}{2}$ watt 5% carbon film resistor	12-1332
R208,211	470 ohm $\frac{1}{2}$ watt 5% carbon film resistor	12-1472
R210	820 ohm $\frac{1}{2}$ watt 5% carbon film resistor	12-1822
R212,220,221	150 ohm $\frac{1}{2}$ watt 5% carbon film resistor	12-1152
R213,214	270 ohm $\frac{1}{2}$ watt 5% carbon film resistor	12-1272
R215	15K $\frac{1}{2}$ watt 5% carbon film resistor	12-3152
R216	1.5K $\frac{1}{2}$ watt 5% carbon film resistor	12-2152
R217,222	1K $\frac{1}{2}$ watt 5% carbon film resistor	12-2102
R218,223	22 ohm $\frac{1}{2}$ watt 5% carbon film resistor	12-0222
R219	2.2K $\frac{1}{2}$ watt 5% carbon film resistor	12-2222
R224	1 meg trim pot	23-1106
R225	500 ohm trim pot	23-1107

C201	.1uf 100 Volt Mylar capacitor	10-3521
C202,205	10uf 100 Volt Elec. capacitor	10-3570
C203	33uf 25 Volt N.P. Elec. capacitor	10-1013
C206,207	100pf 1000 Volt Disc. capacitor	10-9517
Q201,202	2N5184 transistor	22-5184
Q203,206	2N4888 transistor	22-4888
Q204	BC107B transistor	22-0107
Q205	2N4250 transistor	22-4250
Q207	2N3440 transistor	22-3440
CR201,202,203, 204,205,206, 207,208,209, 210	1N458A diode	22-0458

# Coliseum Lead

PREAMP  
32-0028



## PIN NO.

- |                   |                               |                           |
|-------------------|-------------------------------|---------------------------|
| 1. Volume pot     | 13. Lo-bass pot               | 25. No connection         |
| 2. - 15 Volts     | 14. Hi-bass pot               | 26. Volume pot            |
| 3. Brite switch   | 15. Mid range sw              | 27. Mid pot               |
| 4. Brite switch   | 16. Treble pot                | 28. + 23 Volts            |
| 5. Ground         | 17. Mid pot & mid range sw    | 29. - 50 Volts            |
| 6. J1             | 18. Mid range sw              | 30. Bridge (CR1) cap (C2) |
| 7. J2             | 19. Mid range sw              | 31. + 50 Volts            |
| 8. + 23 Volts     | 20. Volume pot & treble range | 32. Bridge (CR1) cap (C1) |
| 9. Ground         | 21. Treble range sw           | 33. Ground                |
| 10. Hi-bass pot   | 22. Treble range sw           | 34. Ground                |
| 11. Lo-bass pot   | 23. Treble range sw           | 35. Ground                |
| 12. No connection | 24. Treble pot                | 36. Ground                |

## CIRCUIT NO.

## DESCRIPTION

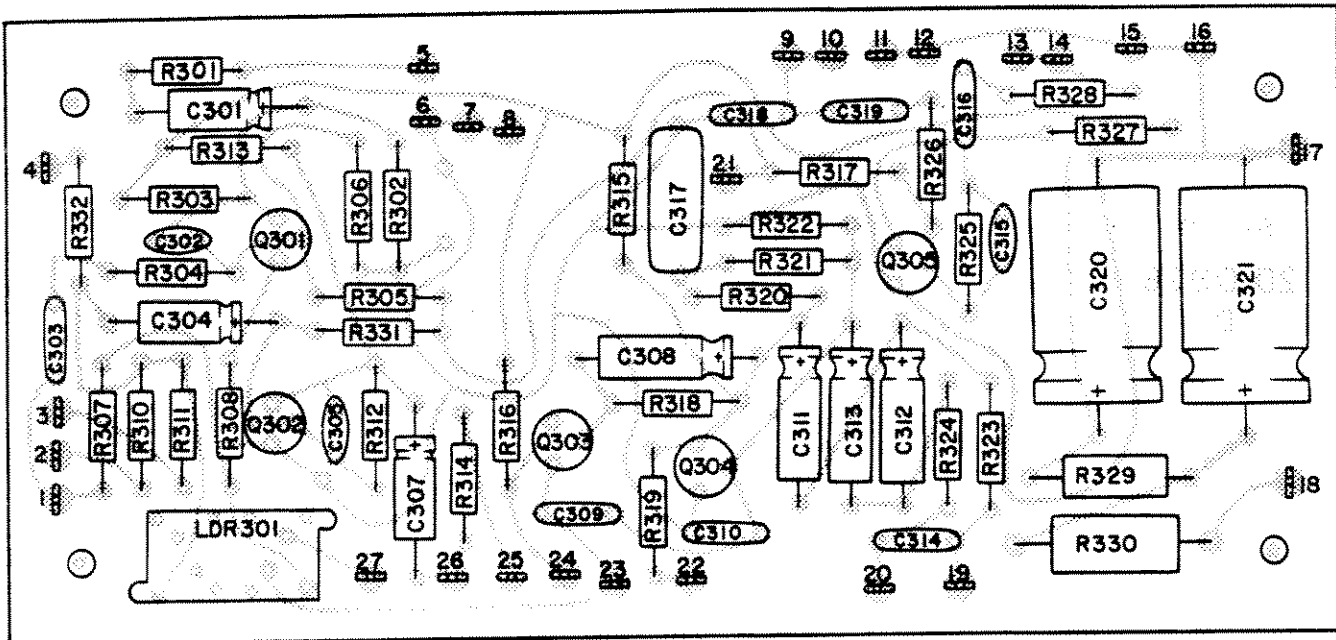
## SUNN PART NO.

R101,102,132,142	47K ½ watt 5% carbon film resistor	12-3472
R103	150K ½ watt 5% carbon film resistor	12-4152
R104,106	680 ohm ½ watt 5% carbon film resistor	12-1682
R105,144	470 ohm ½ watt 5% carbon film resistor	12-1472
R108	150ohm ½ watt 5% carbon film resistor	12-1152
R109,111,129,130	15K ½ watt 5% carbon film resistor	12-3152
R110	5.6K ½ watt 5% carbon film resistor	12-2562
R112,120,140	33K ½ watt 5% carbon film resistor	12-3332
R113,119,126,131	3.3K ½ watt 5% carbon film resistor	12-2332
R114,118,123,134	220K ½ watt 5% carbon film resistor	12-4222
R115,117,122,135	10K ½ watt 5% carbon film resistor	12-3102
R116,121,124,133	470K ½ watt 5% carbon film resistor	12-4472
R125,128	2.2Meg ½ watt 5% carbon film resistor	12-5222
R127	22K ½ watt 5% carbon film resistor	12-3222
R141,146	100K ½ watt 5% carbon film resistor	12-4102
R145	1.5K ½ watt 5% carbon film resistor	12-2152
R136,137,138,139		
143	8.2K ½ watt 5% carbon film resistor	12-2822
R107	1K 1 watt 10% carbon comp resistor	13-2102
R147	3.3K 1 watt 10% carbon comp resistor	13-2331



C101,105,111,116	.47uf 100 Volt Mylar capacitor	10-3530
C102	10uf 50 Volt Elect capacitor	10-1011
C122,124,108	2.2uf 50 Volt Elect capacitor	10-1003
C125	10uf 100 Volt Elect capacitor	10-3570
C126,127	250uf 64 Volt Elect capacitor	10-1027
C103,123	100pf 1000 Volt Disc capacitor	10-9517
C117	200pf 1000 Volt Disc capacitor	10-9518
C104,113,114,119	.001uf 600 Volt Mylar capacitor	10-8510
C106,107	.22uf 100 Volt Mylar capacitor	10-3526
C109,115,121	.047uf 100 Volt Mylar capacitor	10-3508
C110,118	.005uf 600 Volt Mylar capacitor	10-8515
C112,120	.01uf 100 Volt Mylar capacitor	10-3504
CR101,102	1N458 diode	22-0458
CR103	15 Volt zener diode	22-0150
Q101	field effect transistor	22-1491
Q102	2N4250 transistor	22-4250
Q103,104,105,106		
107	BC107B transistor	22-0107

COLISEUM LEAD  
EFFECTS  
32-0045



PIN NO.

- |                          |                       |                       |
|--------------------------|-----------------------|-----------------------|
| 1. Channel 2 input       | 10. No connection     | 19. Rate pot center   |
| 2. Channel 1 input       | 11. Ground (reverb)   | 20. Rate pot center   |
| 3. Reverb pot            | 12. No connection     | 21. -15 Volts out     |
| 4. No connection         | 13. Reverb pot        | 22. Footswitch        |
| 5. Reverb in             | 14. Reverb footswitch | 23. Depth pot center  |
| 6. Ground (reverb)       | 15. Ground (rate pot) | 24. Depth pot top     |
| 7. Ground (speaker jack) | 16. Ground (lamp)     | 25. Pre amp out       |
| 8. Ground (driver board) | 17. No connection     | 26. Reverb amp        |
| 9. Reverb (shielded)     | 18. +50 Volts out     | 27. Ground (rate pot) |

CIRCUIT NO.

DESCRIPTION

SUNN PART NO.

R301	150 ohm 1/2 watt 5% carbon film resistor	12-1152
R302,317,331	100K 1/2 watt 5% carbon film resistor	12-4102
R303	3.3K 1/2 watt 5% carbon film resistor	12-2332
R304,308	22K 1/2 watt 5% carbon film resistor	12-3222
R305	470K 1/2 watt 5% carbon film resistor	12-4472
R306	120K 1/2 watt 5% carbon film resistor	12-4122
R307,318,332	33K 1/2 watt 5% carbon film resistor	12-3332
R310,312,322,325	47K 1/2 watt 5% carbon film resistor	12-3472
R311	8.2K 1/2 watt 5% carbon film resistor	12-2822
R313,327	10K 1/2 watt 5% carbon film resistor	12-3102
R314,323	330 ohm 1/2 watt 5% carbon film resistor	12-1332
R315	5.6K 1/2 watt 5% carbon film resistor	12-2562
R316	1.8K 1/2 watt 5% carbon film resistor	12-2182
R319,324	2.2K 1/2 watt 5% carbon film resistor	12-2222
R320	180K 1/2 watt 5% carbon film resistor	12-4182
R321	270K 1/2 watt 5% carbon film resistor	12-4272
R326	1.5K 1/2 watt 5% carbon film resistor	12-2152
R328	1K 1/2 watt 5% carbon film resistor	12-2102
R329	150 ohm 1 watt 10% carbon comp resistor	13-1151
R330	510 ohm 5 watt 10% wirewound resistor	15-1511

C301,304,307	2.2uf 50 Volts Elec. capacitor	10-1003
C302,305	100pf 1000 Volts Disc capacitor	10-9517
C303,310	.01uf 100 Volts Mylar capacitor	10-3504
C308,311,312,313	1.6uf 25 Volts Elec. capacitor	10-1005
C309	.0022 1000 Volts Disc. capacitor	10-9551
C314,319	.047uf 100 Volts Mylar capacitor	10-3508
C315	270pf 1000 Volts Disc. capacitor	10-9520
C316	.1uf 100 Volts Mylar capacitor	10-3521
C317	.47uf 100 Volt Mylar capacitor	10-3530
C318	.0047uf 1000 Volt Disc capacitor	10-9554
C320,321	250uf 64 Volt Elec. capacitor	10-1027
Q301,302,303,304 305	BC107B transistor	22-0107

## PARTS LIST

### Coliseum Lead Preamp

	<u>Description</u>	<u>SUNN Part #</u>
Diodes	IN458A	22-0458
	15V zener	22-0150
Transistors	2N4304	22-4304
	BC107	22-0107
Controls		
Volume, sustain	50K linear dual	23-6255
Lo bass, Hi bass, Mid, Treble		
Reverb, Reverb tone	25K linear	23-1111
Distort	25K audio dual	23-5009
Knobs		
Numbered		59-6006
Numbered	Insert screw	59-5546
Switches		
Power		24-0118
Red Paddle		24-0128
Misc. parts		
Footswitch jack		65-3515
Input jack		67-0014
Preamp out jack		67-0011
Power amp in jack		67-0012

## PARTS LIST

### Coliseum Lead, Bass, Keyboard

	<u>Description</u>	<u>SUNN Part #</u>
Diodes	IN458	22-0458
	IN4004	22-2070
Transistors	BC107	22-0107
	MPSA43	22-5184
	2N4888	22-4888
	2N4250	22-4250
	2N3440	22-3440
	2N3441	22-3441
	2N3773	22-3773
Misc. parts		
Power transformer		28-1419
Power cord		68-6685
Bridge rectifier		19-0121
Circuit breaker		52-0600
Cord wrap		48-0000
Fan		27-0000
Filter capacitor	75V, 6900uf	10-1035
Speaker output jack		67-0011
Handle strap		71-0007-1
Handle clip		71-0007-2
Handle cover		71-0007-3
Rubber feet		58-1131