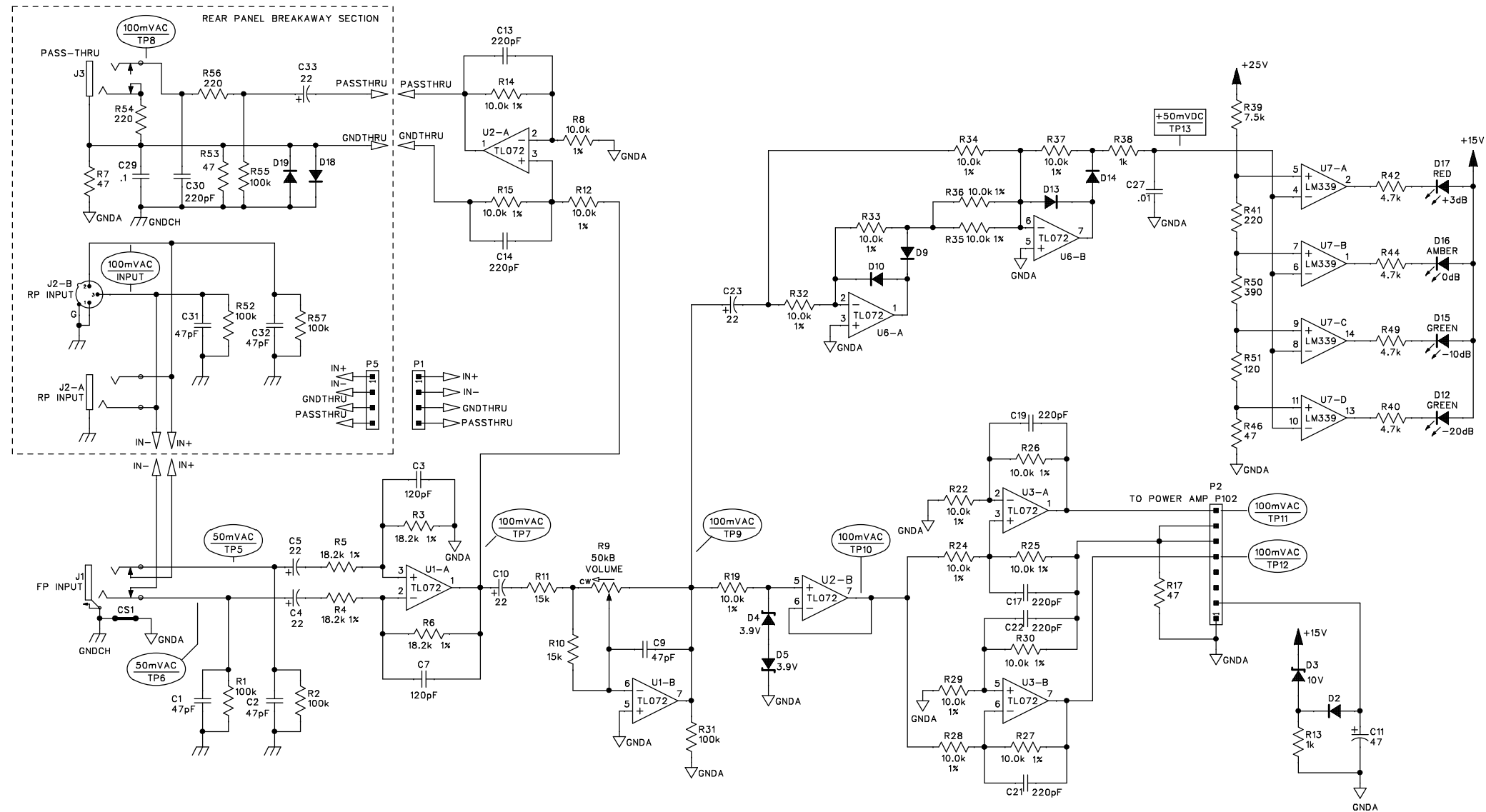


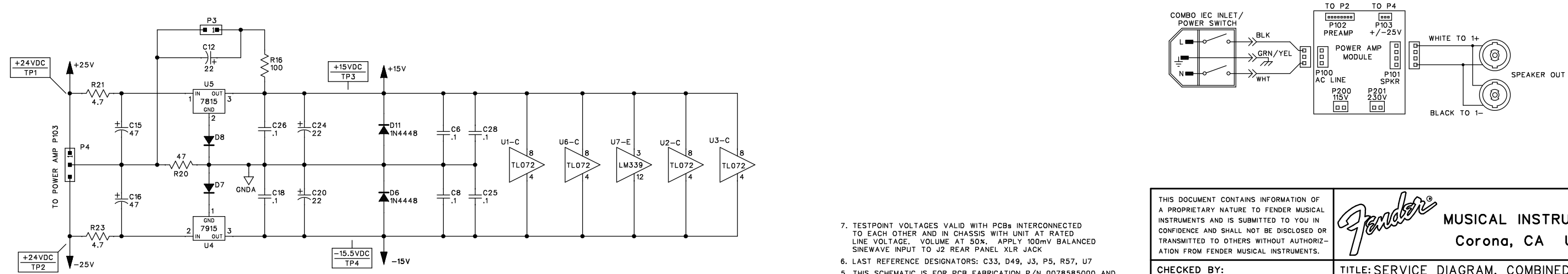
REVISIONS

REV.	DESCRIPTION	DATE	APPROVED
A	PR995	17-JUL-09	S.M.B.



Output Power Test:
 CONNECT SPEAKER OUTPUT TO 4 OHM RESISTIVE LOAD
 APPLY 100HZ SINEWAVE INPUT TO AMPLIFIER. INCREASE VOLUME
 TO INCEPTION OF VISIBLE POWER AMP CLIPPING.
 400W/40Vrms (+/-20%) SHOULD BE OBSERVED (AT 120V OR 230V LINE)
 NOTE OUTPUT VOLTAGE WILL VARY ACCORDING TO THE AVAILABLE LINE VOLTAGE

CHASSIS WIRING DETAIL

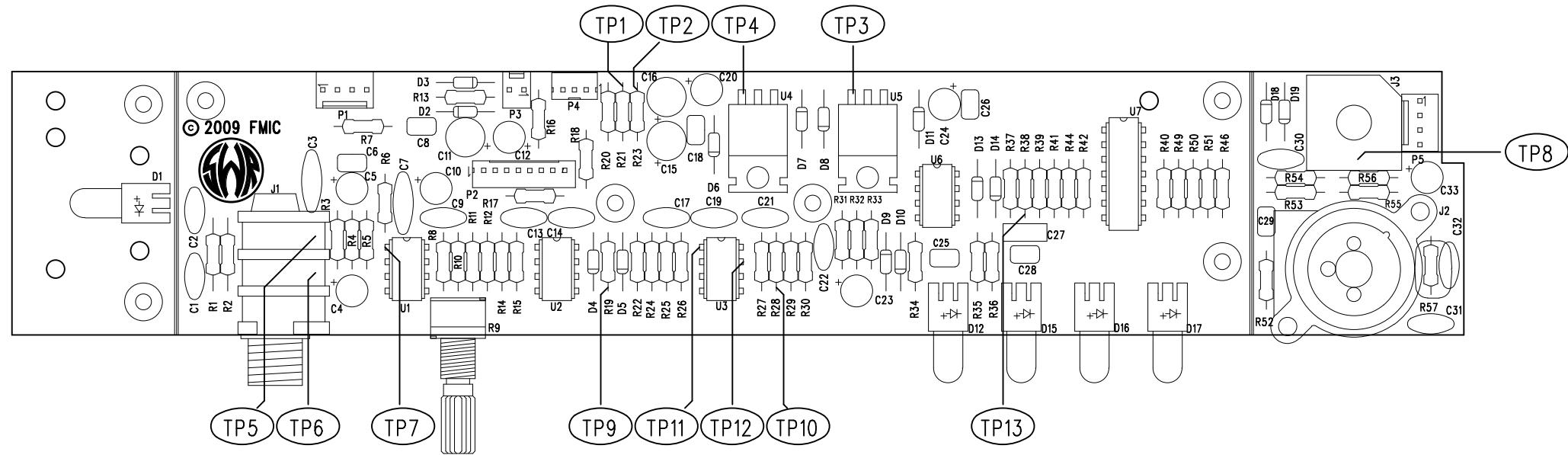


1. ALL RESISTORS IN OHMS, 5%; 1/4W.
2. ALL UNPOLARIZED CAPACITORS IN μ F, 10% OR BETTER; 50V MINIMUM. (POWER SUPPLY BYPASS CAPACITORS ARE 20%).
3. ALL POLARIZED CAPACITORS IN μ F, 20%; 50V MINIMUM.
4. ALL DIODES ARE 1N4448.
5. THIS SCHEMATIC IS FOR PCB FABRICATION P/N 0078585000 AND PCB ASSEMBLY P/N 0078586000.
6. LAST REFERENCE DESIGNATORS: C33, D49, J3, P5, R57, U7
7. TESTPOINT VOLTAGES VALID WITH PCBs INTERCONNECTED TO EACH OTHER AND IN CHASSIS WITH UNIT AT RATED LINE VOLTAGE. VOLUME AT 50%. APPLY 100mV BALANCED SINEWAVE INPUT TO J2 REAR PANEL XLR JACK

NOTES: (UNLESS OTHERWISE NOTED)

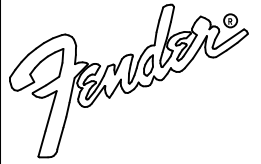
THIS DOCUMENT CONTAINS INFORMATION OF A PROPRIETARY NATURE TO FENDER MUSICAL INSTRUMENTS AND IS SUBMITTED TO YOU IN CONFIDENCE AND SHALL NOT BE DISCLOSED OR TRANSMITTED TO OTHERS WITHOUT AUTHORIZATION FROM FENDER MUSICAL INSTRUMENTS.		<p>MUSICAL INSTRUMENTS Corona, CA U.S.A.</p>		
CHECKED BY: _____	DATE: _____			TITLE: SERVICE DIAGRAM, COMBINED (schematic) AMPLITE
APPROVED BY: _____	DATE: _____	SIZE	DRAWING NUMBER	REV.
DRAWN: S.Bankhead	ENGR: S.Bankhead	B	0078587000	A
DATABASE FILE: Z995.SCH	RELEASE DATE: 17-JUL-09	SHEET: 1 OF 2		

REVISIONS			
REV.	DESCRIPTION	DATE	APPROVED
A	PR995	17-JUL-09	S.M.B.



FILM/DWG:	SERVICE DIAGRAM
DATABASE:	Z995.PCB DATE: 17-JUL-09

NOTES: (UNLESS OTHERWISE NOTED)

THIS DOCUMENT CONTAINS INFORMATION OF A PROPRIETARY NATURE TO FENDER MUSICAL INSTRUMENTS AND IS SUBMITTED TO YOU IN CONFIDENCE AND SHALL NOT BE DISCLOSED OR TRANSMITTED TO OTHERS WITHOUT AUTHORIZATION FROM FENDER MUSICAL INSTRUMENTS.		 MUSICAL INSTRUMENTS Corona, CA U.S.A.	
CHECKED BY: _____ DATE: _____		TITLE: SERVICE DIAGRAM, COMBINED (PCB assy) AMPLITE	
APPROVED BY: _____ DATE: _____		SIZE B	DRAWING NUMBER 0078587000
DRAWN: S. Bankhead	ENGR: S. Bankhead	RELEASE DATE: 17-JUL-09	REV. A
DATABASE FILE: Z995.PCB		SHEET 2 OF 2	2