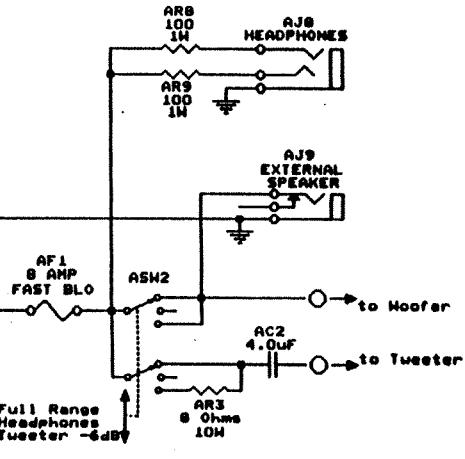
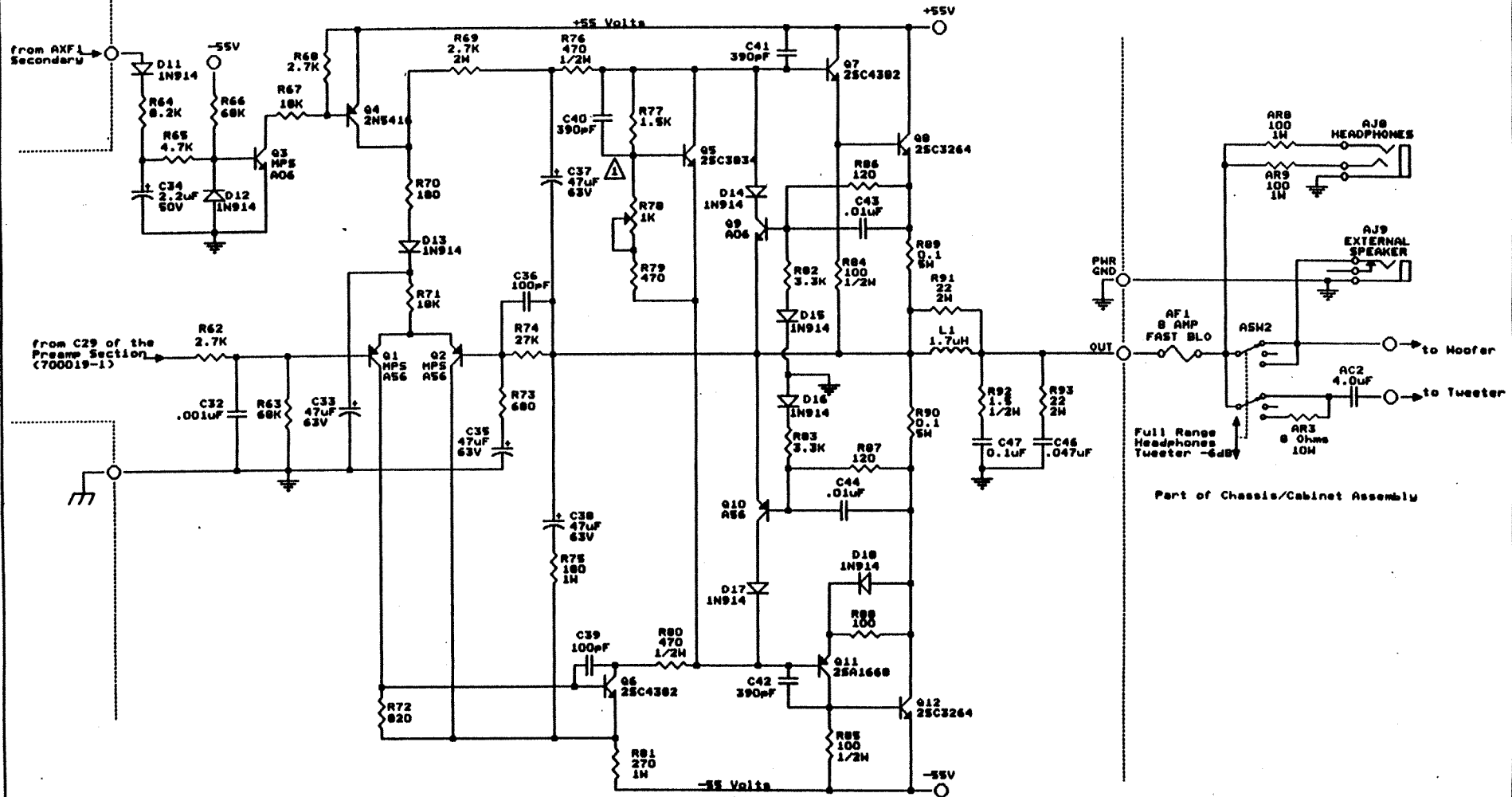


Items outside dashed lines are part of Chassis Assembly

3. Reference designators with an A prefix are part of the chassis sub-assembly.
2. All TL072s have +15 Volts to pin 8, and -15 Volts to pin 4.
1. Resistors are ohms, 1/4 Watt.

NOTES (Unless otherwise indicated):

SHR SOUND CORPORATION 9130 Glenoaks Blvd. Sun Valley, CA 91352 Phone: (818)253-4797 FAX: (818)253-4799 http://www.shr.org.com	
BASIC BLACK PREAMP	
Size Document Number 700019-1	REV 0
Date: July 14, 1999 Sheet 1 of 1	

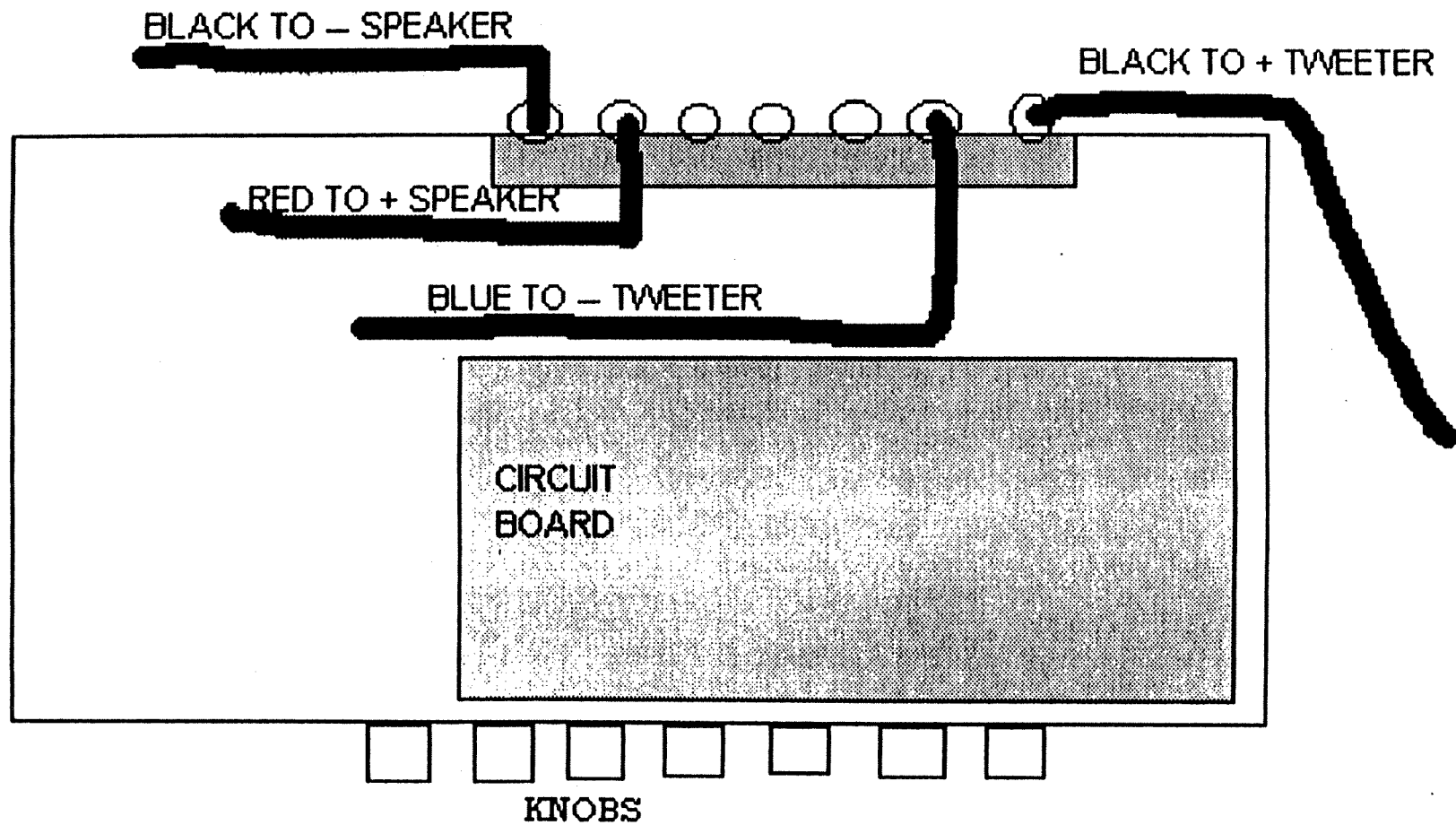


Part of Chassis/Cabinet Assembly

3. Reference designators with an A prefix are part of the chassis sub-assembly.
 2. Resistors are in Ohms, 1/4 Watt.
 - ⚠ R77 and R79 values may change due to Q5 beta.
- NOTES (Unless otherwise indicated):**

SMR SOUND CORPORATION
 9130 Glencreek Blvd.
 Sun Valley, CA 91352
 TEL: (818) 253-4797 FAX: (818) 253-4799
<http://www.svr.com>

Title POWER AMP - BASIC BLACK
 Size Document Number 700019-2
 Date JULY 2, 1998 sheet 2 of 2



BASIC BLACK SPEAKER WIRING DIAGRAM