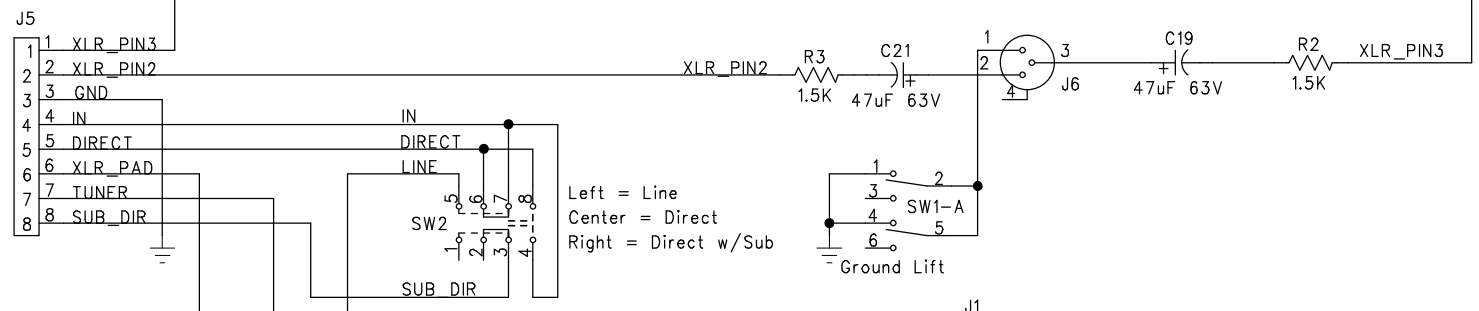


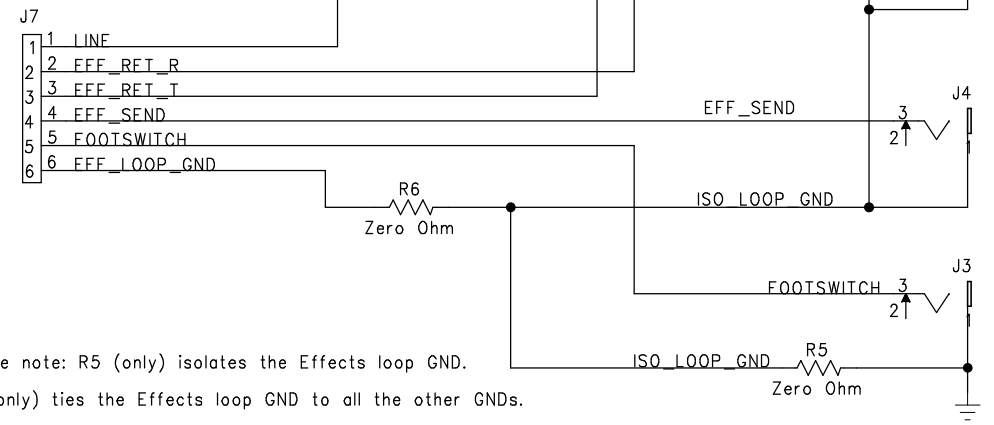
6 5 4 3 2 1

(From Preamp PCB J5)



Left = Line
Center = Direct
Right = Direct w/Sub

(From Preamp PCB J7)



Please note: R5 (only) isolates the Effects loop GND.
R6 (only) ties the Effects loop GND to all the other GNDs.

PCB Part Number -- 170049D (released)
PCB Assembly Number -- 700067

SWR Sound Corporation	
Title: Bass 350/Black Beauty XLR PCB	Rev: D
Date: 07 February 2002	GMx
Last update:	Sheet: 1 of 1

D

C

B

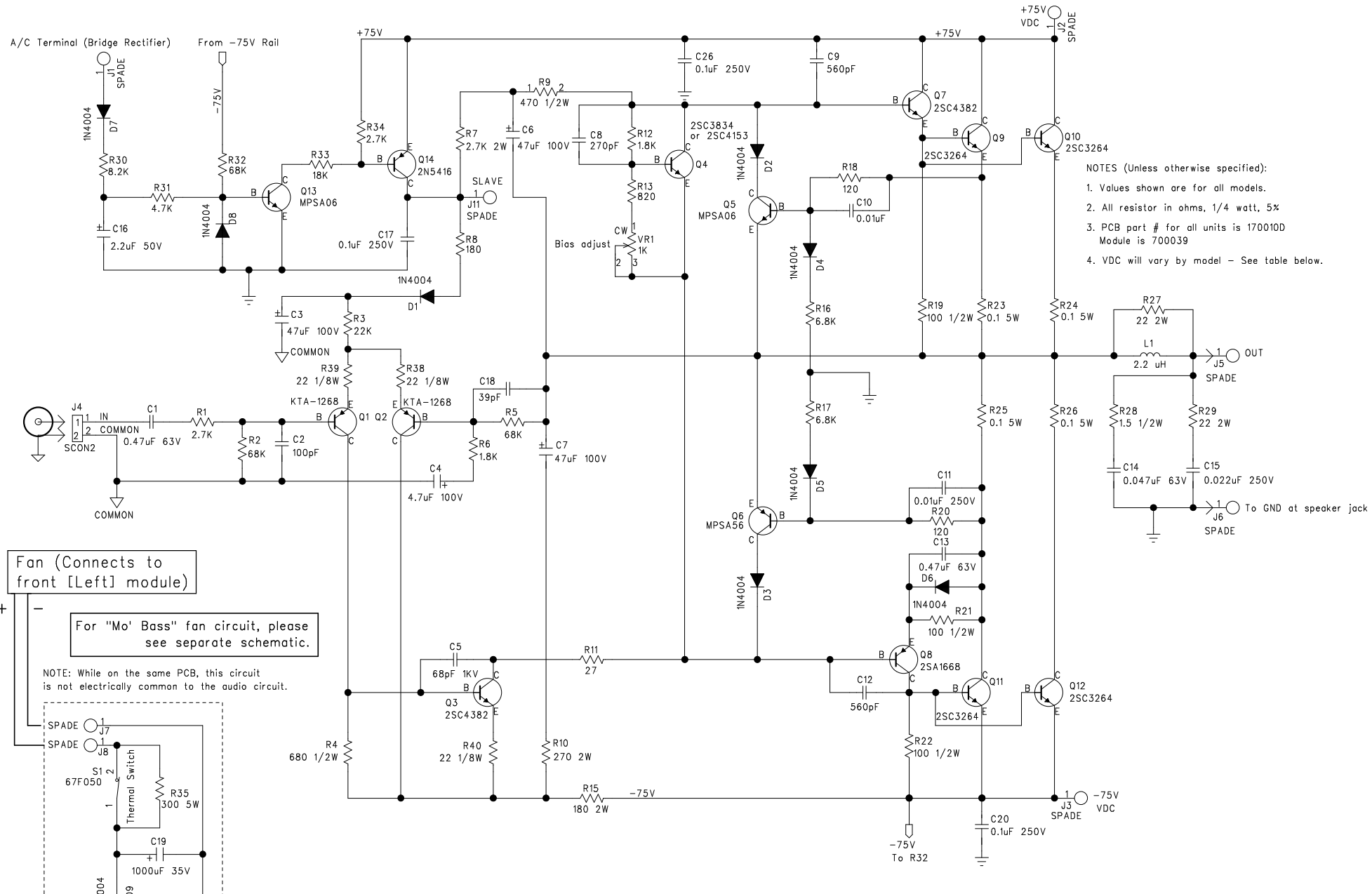
A

D

C

B

A

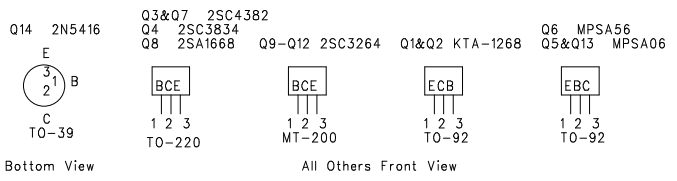
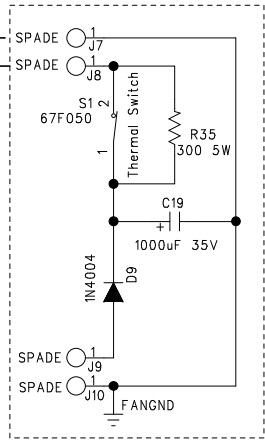


- NOTES (Unless otherwise specified):
1. Values shown are for all models.
 2. All resistor in ohms, 1/4 watt, 5%
 3. PCB part # for all units is 170010D
Module is 700039
 4. VDC will vary by model - See table below.

Fan (Connects to front [Left] module)

For "Mo' Bass" fan circuit, please see separate schematic.

NOTE: While on the same PCB, this circuit is not electrically common to the audio circuit.



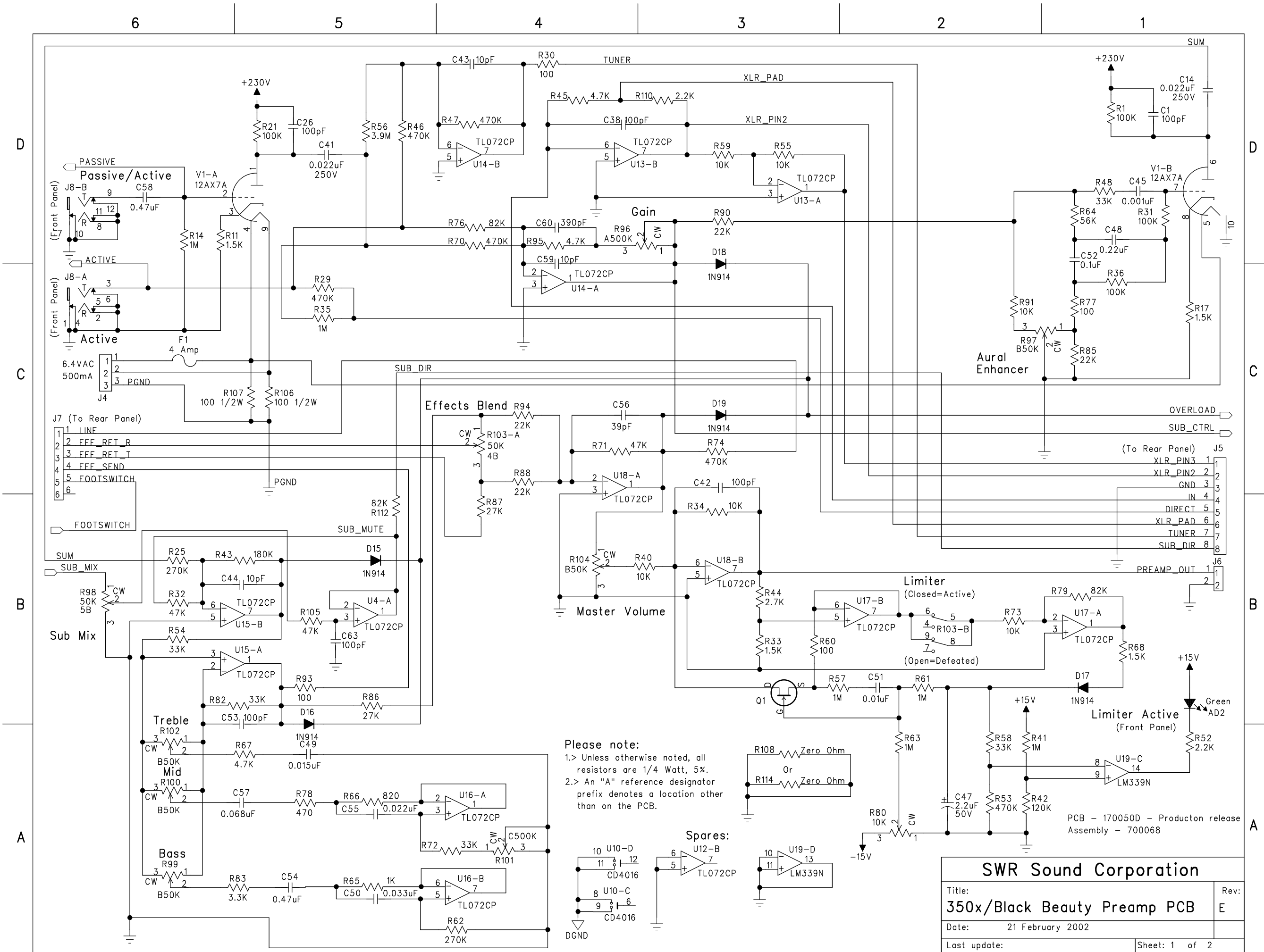
VDC Table

Model	+ VDC	- VDC
SM-900	78	78
Mo' Bass	59	59
SM-500	77	77
Bass 350/350x Super Redhead Silverado Black Beauty	79	79
WM4004	79	79

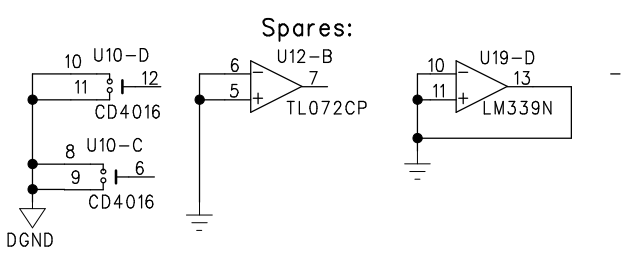
SWR Sound Corp.

SWR2000 - Power Amp Module

May 2000 Revision D Page 1 of 1

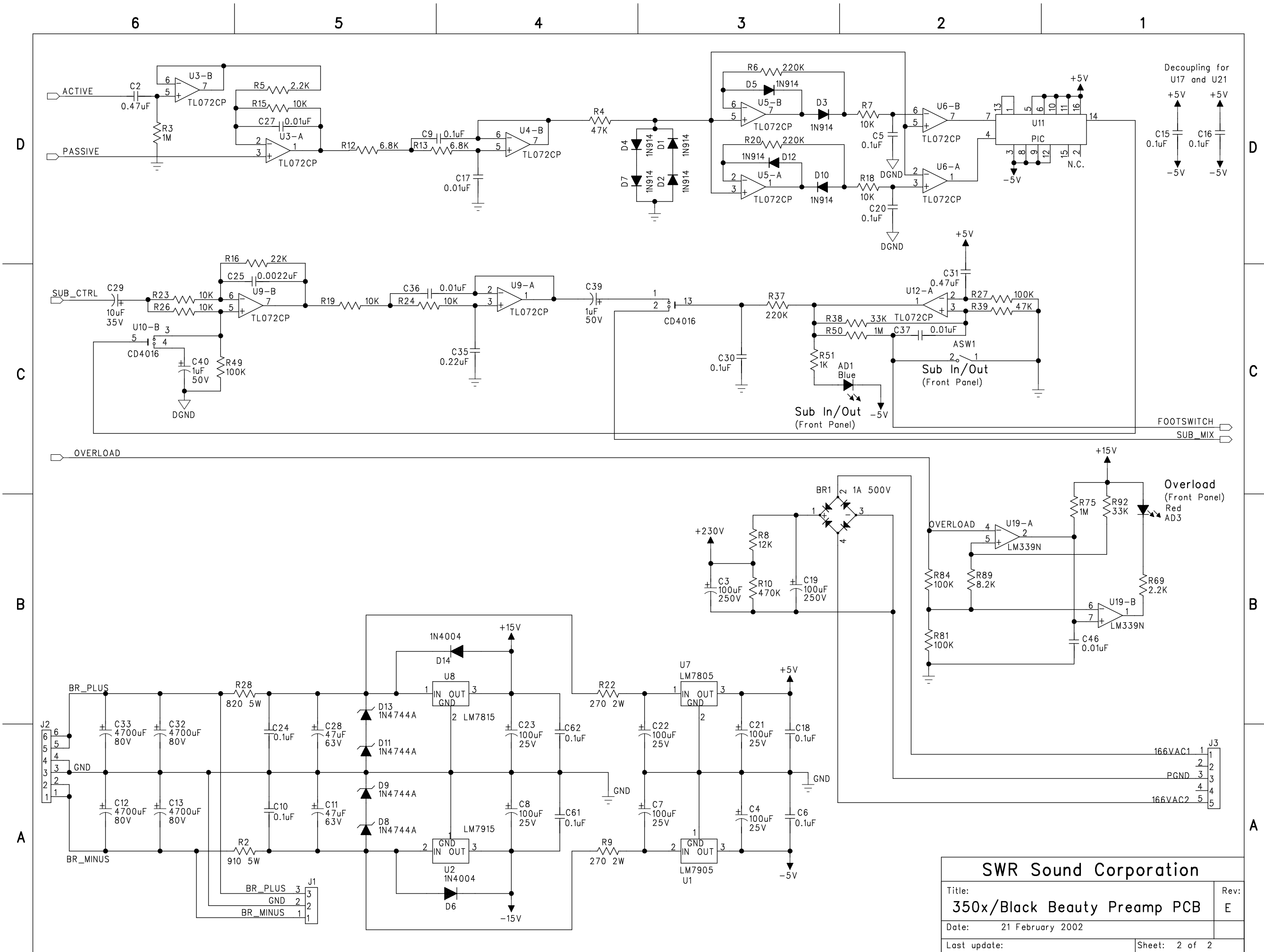


Please note:
 1.> Unless otherwise noted, all resistors are 1/4 Watt, 5%.
 2.> An "A" reference designator prefix denotes a location other than on the PCB.



SWR Sound Corporation	
Title:	350x/Black Beauty Preamp PCB
Date:	21 February 2002
Last update:	
Rev:	E
Sheet: 1 of 2	

PCB - 170050D - Production release
 Assembly - 700068



SWR Sound Corporation	
Title:	350x/Black Beauty Preamp PCB
Date:	21 February 2002
Last update:	
Rev:	E
Sheet:	2 of 2