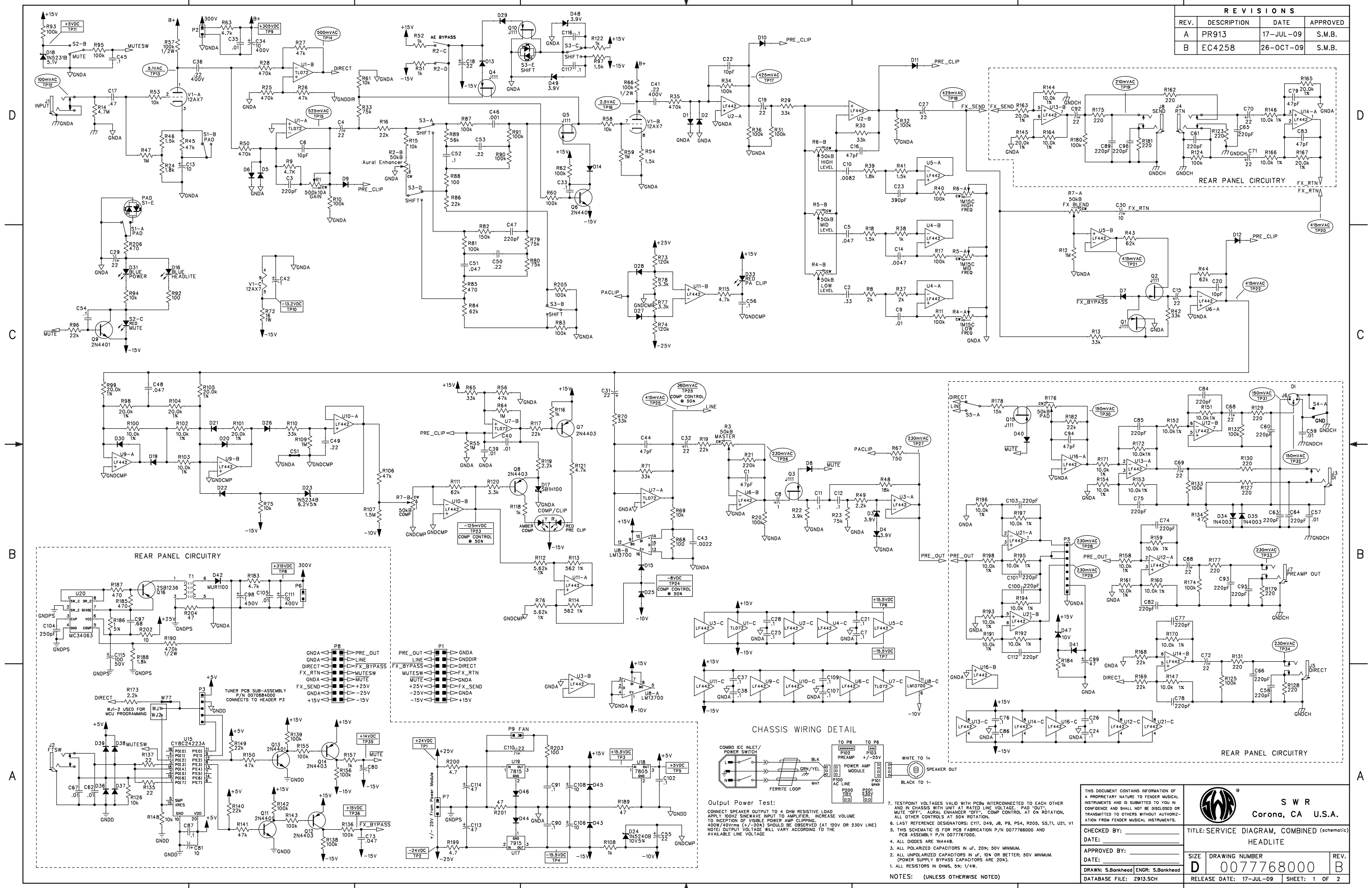


REVISIONS			
REV.	DESCRIPTION	DATE	APPROVED
A	PR913	17-JUL-09	S.M.B.
B	EC4258	26-OCT-09	S.M.B.



THIS DOCUMENT CONTAINS INFORMATION OF A PROPRIETARY NATURE TO FENDER MUSICAL INSTRUMENTS AND IS SUBMITTED TO YOU IN CONFIDENCE AND SHALL NOT BE DISCLOSED OR TRANSMITTED TO OTHERS WITHOUT AUTHORIZATION FROM FENDER MUSICAL INSTRUMENTS.			S W R Corona, CA U.S.A.
TITLE: SERVICE DIAGRAM, COMBINED (schematic) HEADLITE			
CHECKED BY: _____ DATE: _____ APPROVED BY: _____ DATE: _____ DRAWN: S.Bankhead ENGR: S.Bankhead DATABASE FILE: Z913.SCH	SIZE: _____ DRAWING NUMBER: D 0077768000 RELEASE DATE: 17-JUL-09 SHEET: 1 OF 2	REV. B	

Output Power Test:
 CONNECT SPEAKER OUTPUT TO 4 OHM RESISTIVE LOAD
 APPLY 100HZ SINEWAVE INPUT TO AMPLIFIER. INCREASE VOLUME TO NOTIFICATION OF VISIBLE POWER AMP CLIPPING.
 400W/450Vrms (4-20K) SHOULD BE OBSERVED (AT 120V OR 230V LINE)
 NOTE: OUTPUT VOLTAGE WILL VARY ACCORDING TO THE AVAILABLE LINE VOLTAGE

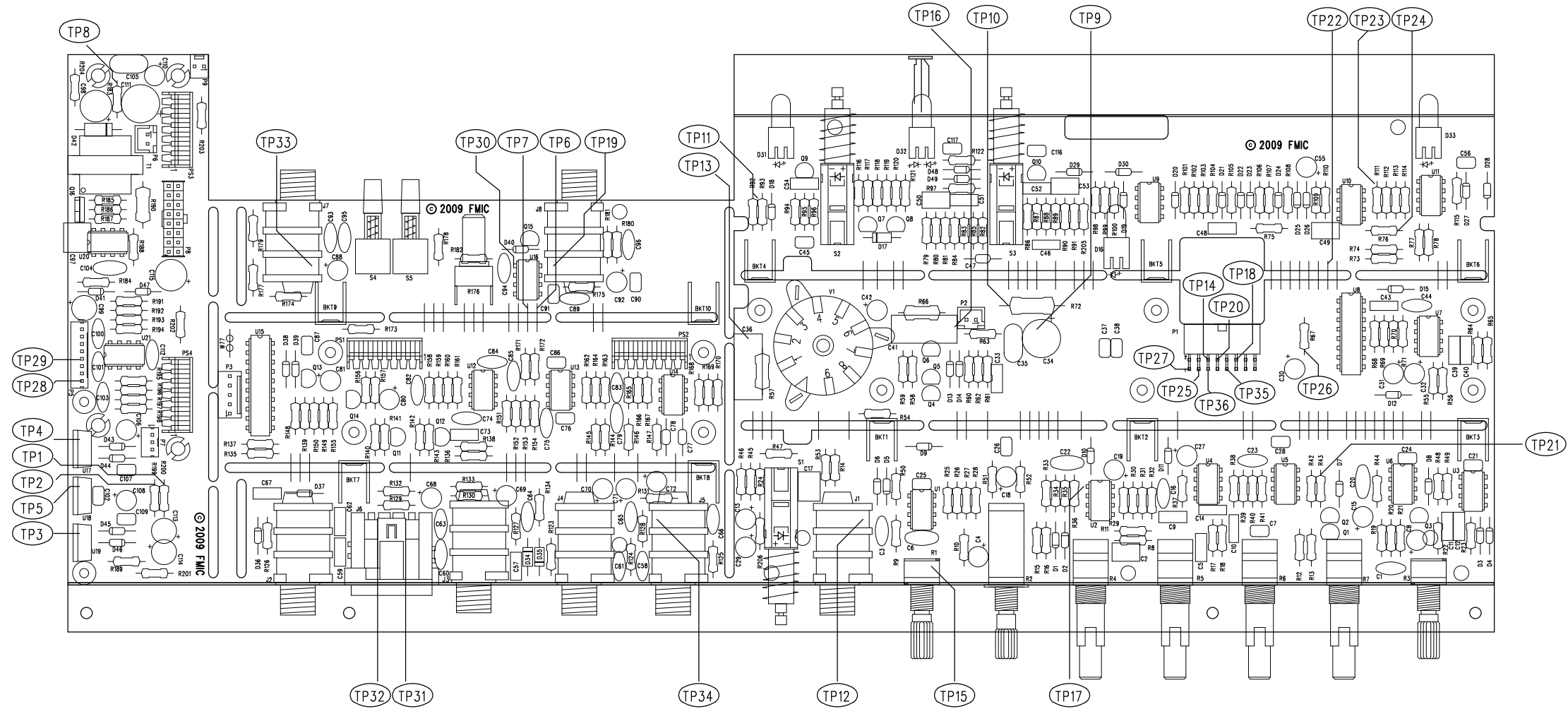
1. ALL RESISTORS IN OHMS, 5% 1/W.
2. ALL UNPOLARIZED CAPACITORS IN UF, 10% OR BETTER; 50V MINIMUM. (POWER SUPPLY BYPASS CAPACITORS ARE 20%).
3. ALL POLARIZED CAPACITORS IN UF, 20%; 50V MINIMUM.
4. ALL DIODES ARE 1N4448.
5. THIS SCHEMATIC IS FOR PCB FABRICATION P/N 0077768000 AND PCB ASSEMBLY P/N 0077768000.
6. LAST REFERENCE DESIGNATORS: C117, D49, J8, P9, P54, R205, S5.11, U21, V1
7. TESTPOINT VOLTAGES VALID WITH PCBs INTERCONNECTED TO EACH OTHER AND IN CHASSIS WITH UNIT AT RATED LINE VOLTAGE. PAD "OUT": MUTE "OFF"; AURAL ENHANCER "OFF"; COMP CONTROL AT 0X ROTATION. ALL OTHER CONTROLS AT 50% ROTATION.

NOTES: (UNLESS OTHERWISE NOTED)

8 7 6 5 4 3 2 1

REVISIONS			
REV.	DESCRIPTION	DATE	APPROVED
A	PR913	17-JUL-09	S.M.B.
B	EC4258	26-OCT-09	S.M.B.


D
C
B
A



FILM/DWG: SERVICE DIAGRAM
 DATABASE: Z913.PCB DATE: 14-SEP-09

NOTES: (UNLESS OTHERWISE NOTED)

8 7 6 5 4 3 2 1

THIS DOCUMENT CONTAINS INFORMATION OF A PROPRIETARY NATURE TO FENDER MUSICAL INSTRUMENTS AND IS SUBMITTED TO YOU IN CONFIDENCE AND SHALL NOT BE DISCLOSED OR TRANSMITTED TO OTHERS WITHOUT AUTHORIZATION FROM FENDER MUSICAL INSTRUMENTS.		 MUSICAL INSTRUMENTS Corona, CA U.S.A.	
CHECKED BY: _____ DATE: _____		TITLE: SERVICE DIAGRAM, COMBINED (PCB assy) HEADLITE	
APPROVED BY: _____ DATE: _____		SIZE C	DRAWING NUMBER 0077768000
DRAWN: S.Bankhead	ENGR: S.Bankhead	REV. B	
DATABASE FILE: Z913P.PCB		RELEASE DATE: 17-JUL-09	SHEET 2 OF 2

D
C
B
A