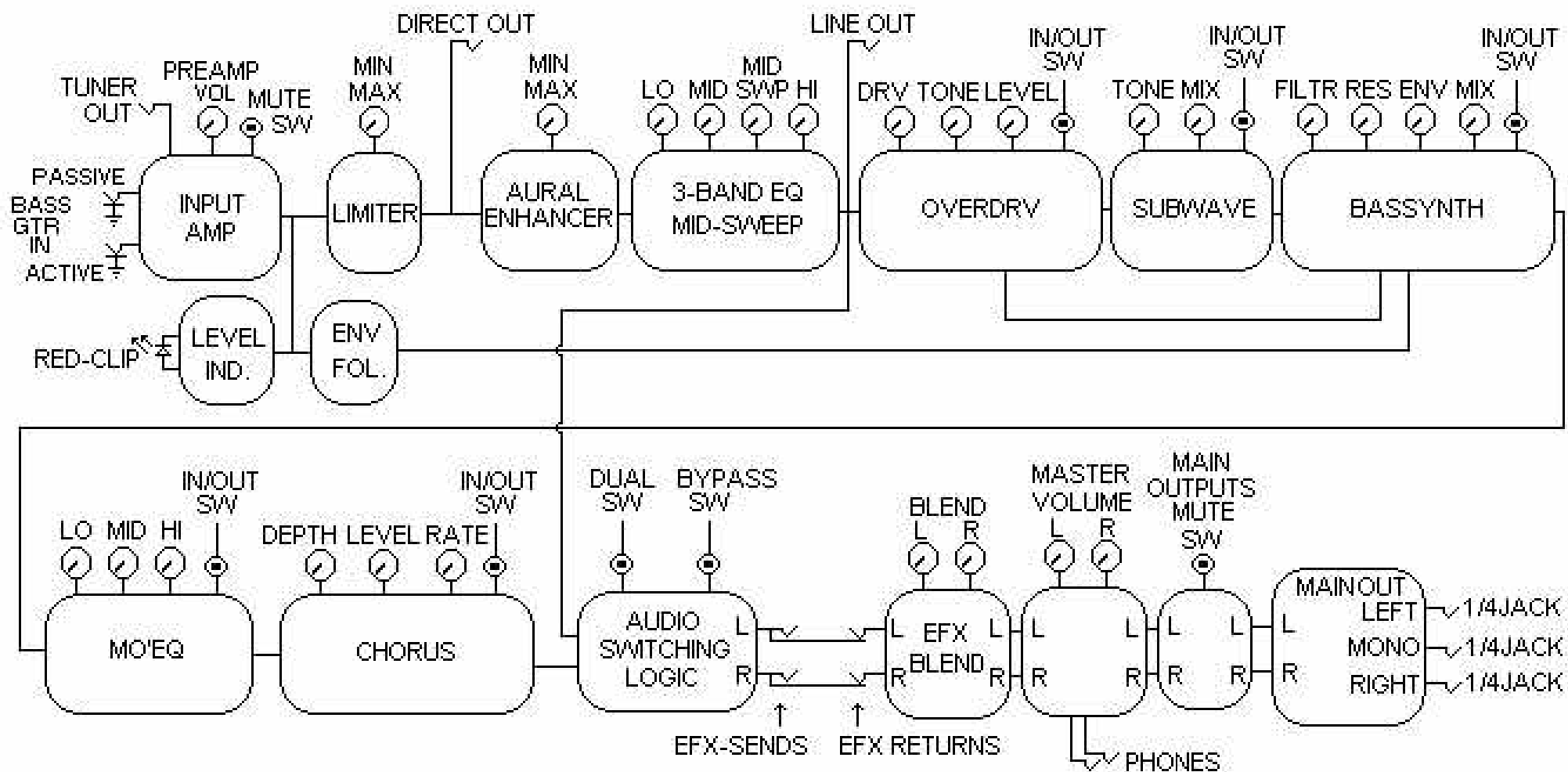
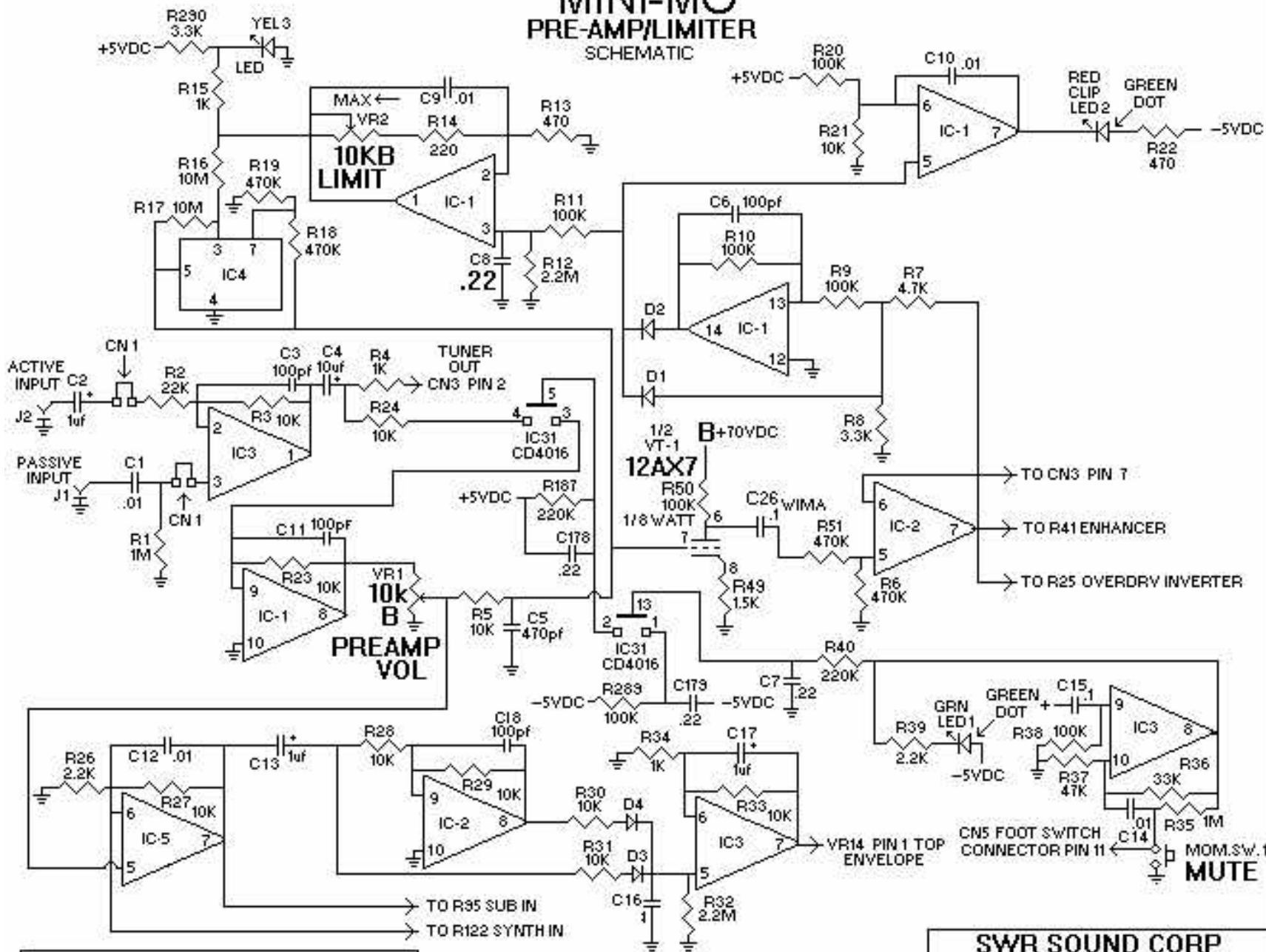


MINI-MO SIGNAL PATH



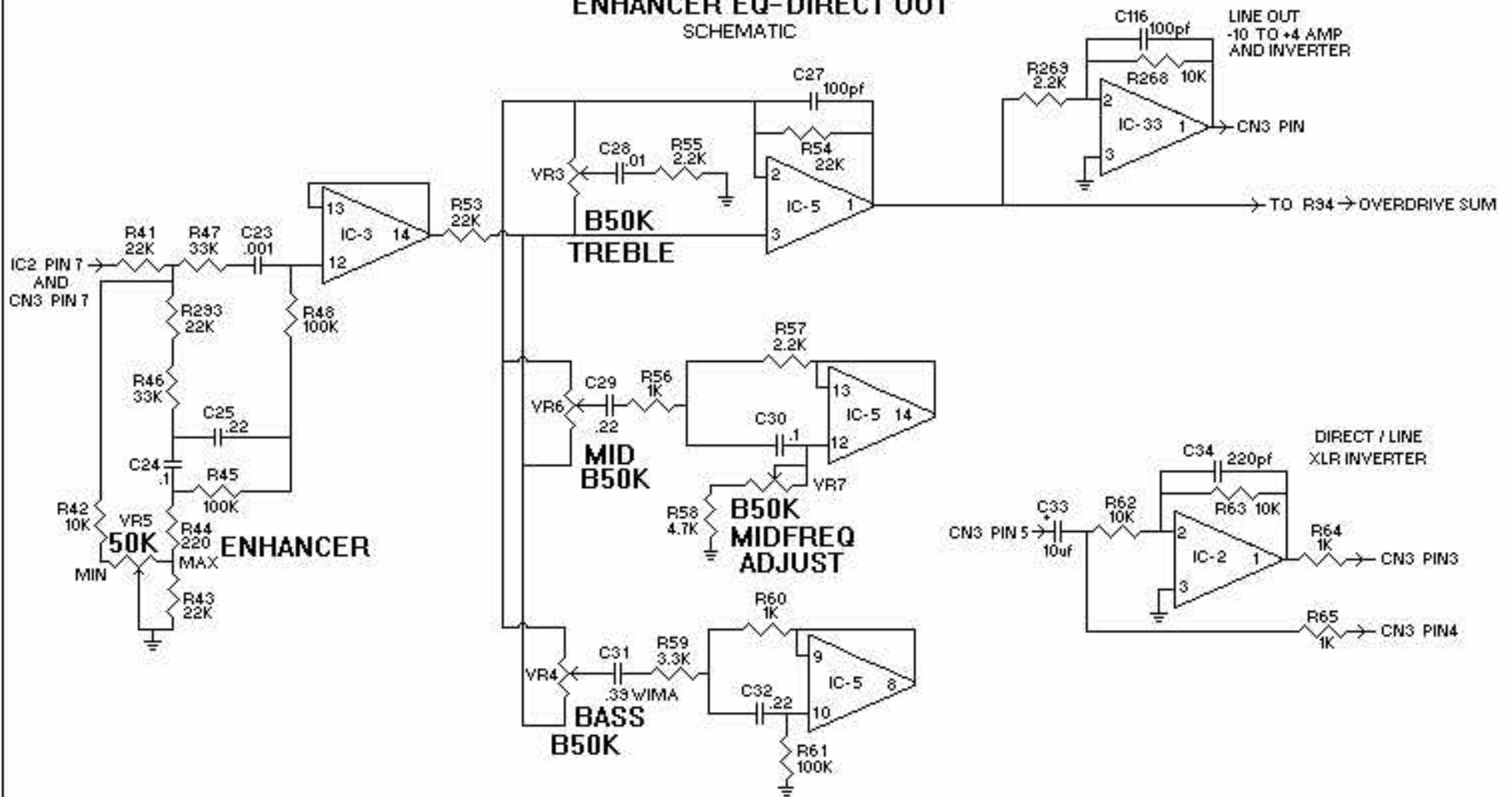
MINI-MO PRE-AMP/LIMITER SCHEMATIC



PLEASE NOTE:
 1.> ALL RESISTORS 1/10th WATT 5% UNLESS NOTED
 2.> C19,C20,C21,C22 ALL -.1 BYPASS CAPS
 3.> ALL IC'S ON THIS PAGE + AND -5VDC ONLY
 EXCEPT IC2 + AND -10VDC

SWR SOUND CORP	
MINI-MO / MO'BASS 2 PREAMP / LIMITER SCHEMATIC	
DATE	1-20-03
REV.	2.4
MAIN P.C.B. PART#170056	
DESIGN BY	WILLIAM WEST III

MINI-MO ENHANCER EQ-DIRECT OUT SCHEMATIC



PLEASE NOTE:

- 1.> ALL RESISTORS 1/10th WATT 5%
- 2.> C35,C36 ALL .1 BYPASS CAPS
- 3.> ALL IC'S ON THIS PAGE + AND -5VDC ONLY

SWR SOUND CORP

MINI-MO / MO'BASS 2
ENHANCER-EQ SCHEMATIC

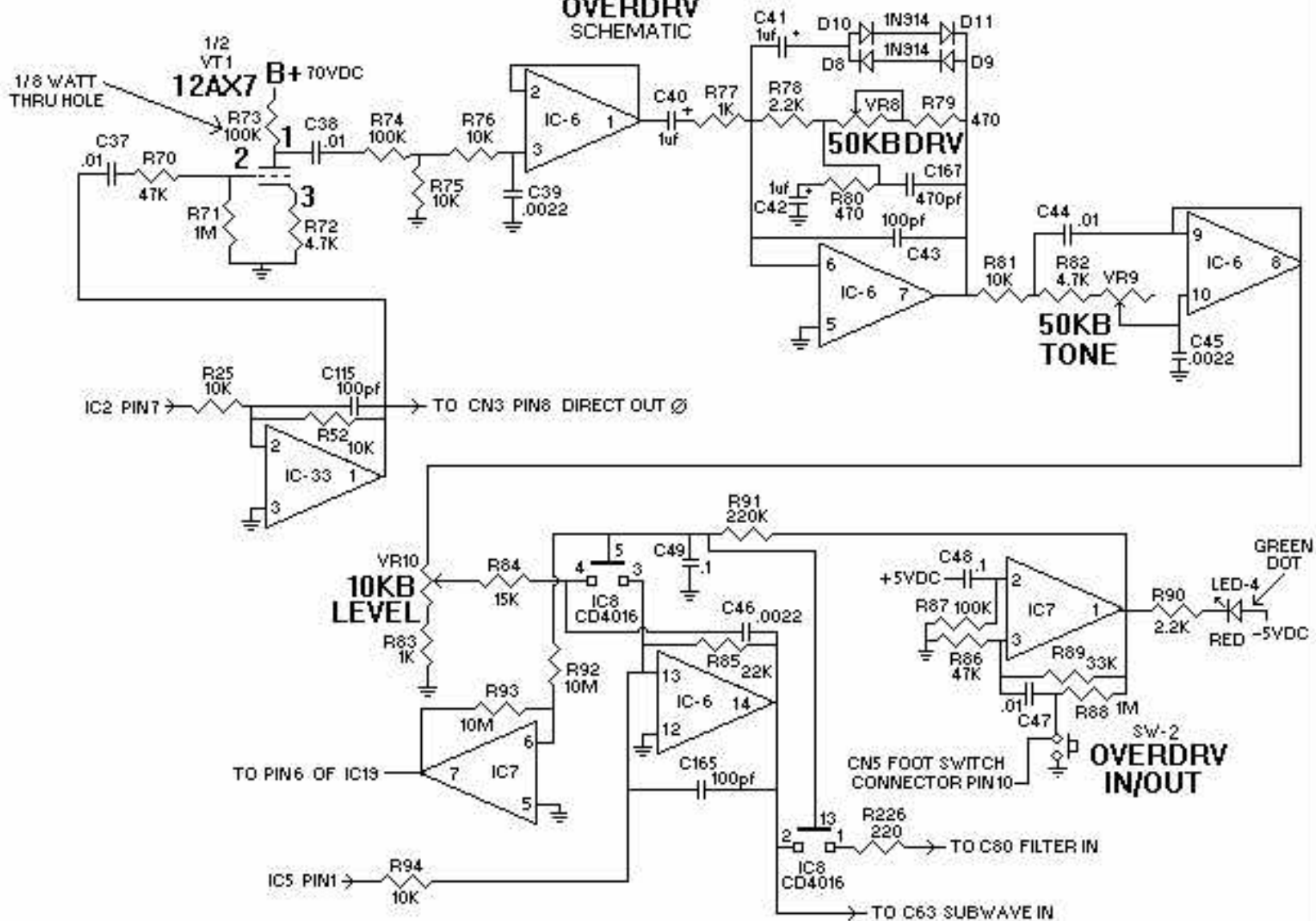
DATE 1-20-03

REV. 2.4

MAIN P.C.B. PART #170056

DESIGN BY STEVE RABE

MINI-MO OVERDRV SCHEMATIC



PLEASE NOTE:

- 1.> ALL RESISTORS 1/10W WATT 5% UNLESS NOTED
- 2.> C50 C51 ALL -.1 BYPASS CAPS
- 3.> ALL IC'S ON THIS PAGE + AND -5VDC ONLY EXCEPT IC33+ AND -10VDC

SWR SOUND CORP

MINI-MO / MO'BASS 2
OVERDRIVE SCHEMATIC

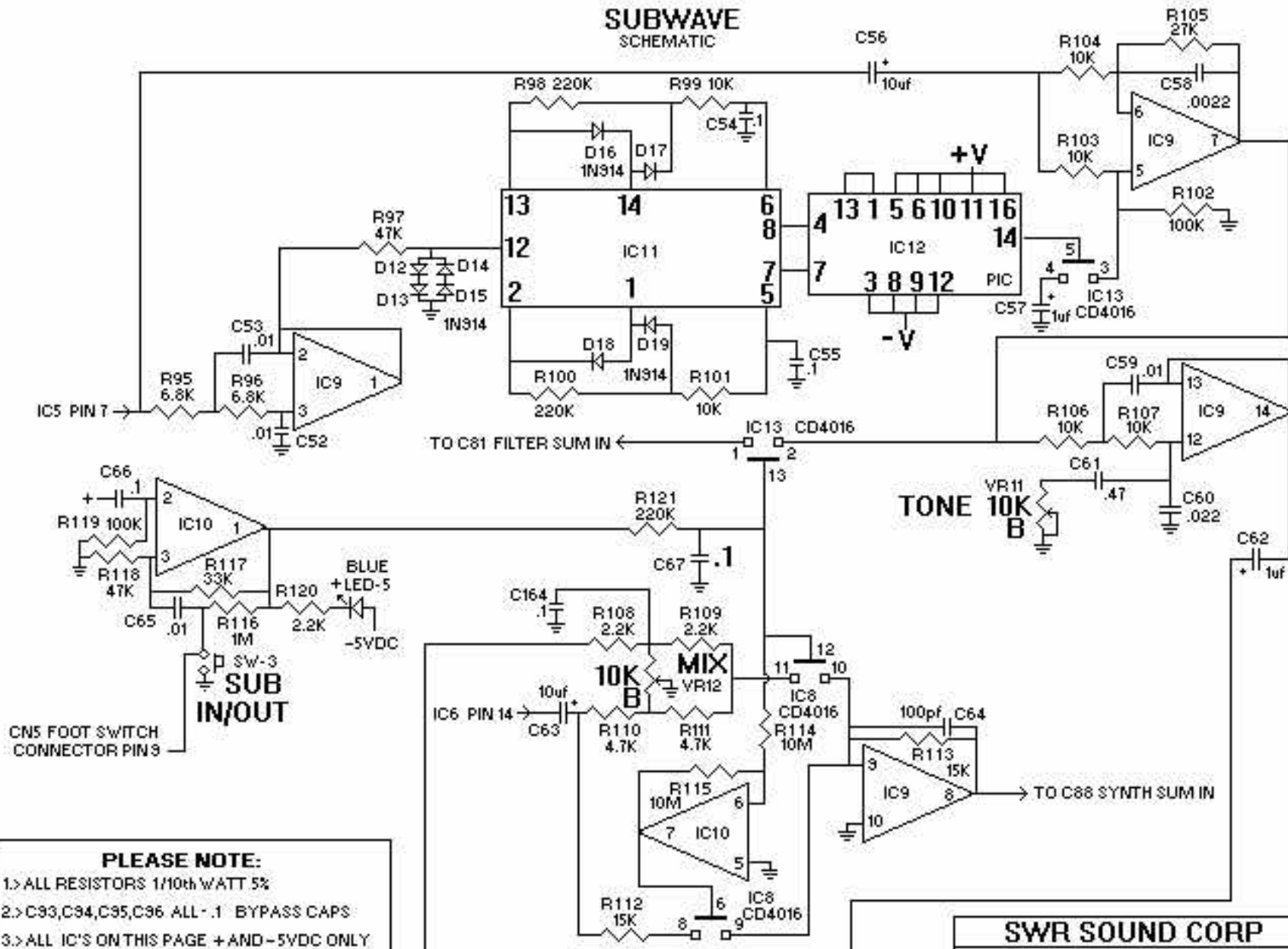
DATE 1-20-03

REV. 2.4

MAIN P.C.B. PART#170056

DESIGN BY WILLIAM WEST III

MINI-MO SUBWAVE SCHEMATIC



PLEASE NOTE:

- 1.> ALL RESISTORS 1/10th WATT 5%
- 2.> C93,C94,C95,C96 ALL - .1 BYPASS CAPS
- 3.> ALL IC'S ON THIS PAGE + AND -5VDC ONLY

SWR SOUND CORP

MINI-MO / MO'BASS 2
SUBWAVE SCHEMATIC

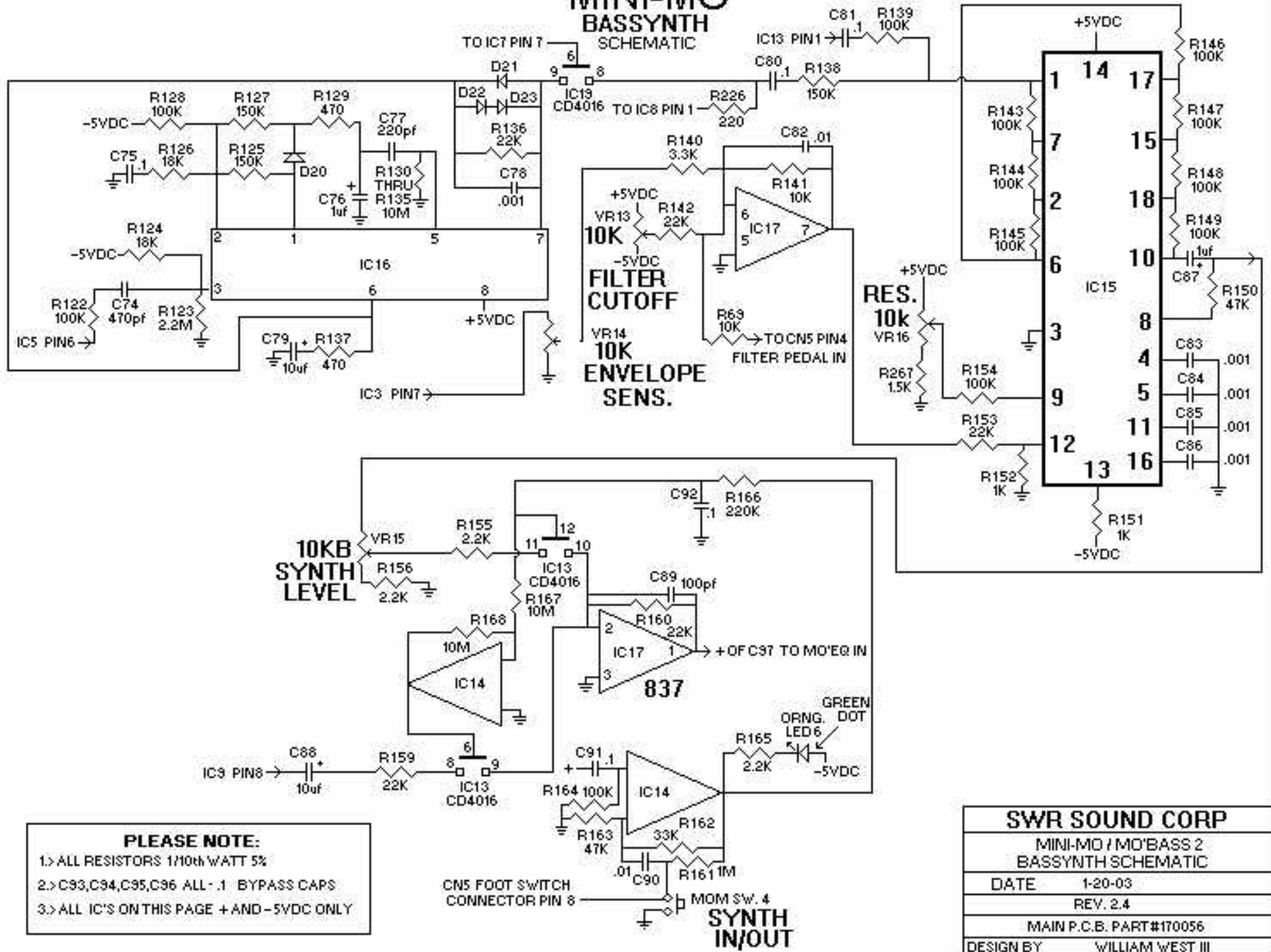
DATE 1-20-03

REV. 2.4

MAIN P.C.B. PART#170056

DESIGN BY WILLIAM WEST III

MINI-MO BASSYNTH SCHEMATIC



PLEASE NOTE:

- 1.> ALL RESISTORS 1/10th WATT 5%
- 2.> C93,C94,C95,C96 ALL-.1 BYPASS CAPS
- 3.> ALL IC'S ON THIS PAGE + AND -5VDC ONLY

SWR SOUND CORP

MINI-MO / MO'BASS 2
BASSYNTH SCHEMATIC

DATE 1-20-03

REV. 2.4

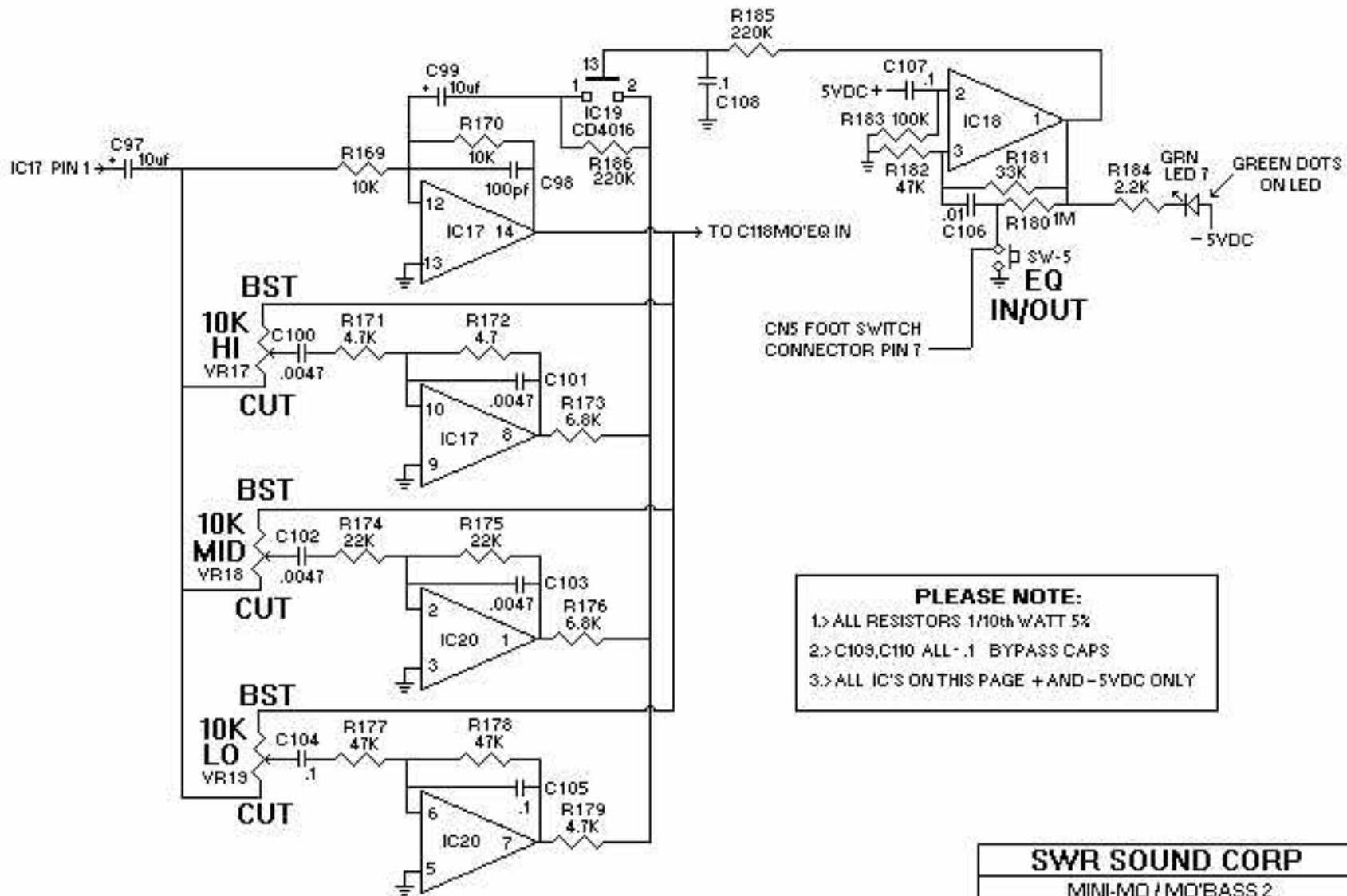
MAIN P.C.B. PART#170056

DESIGN BY WILLIAM WEST III

MINI-MO

mo'EQ

SCHEMATIC

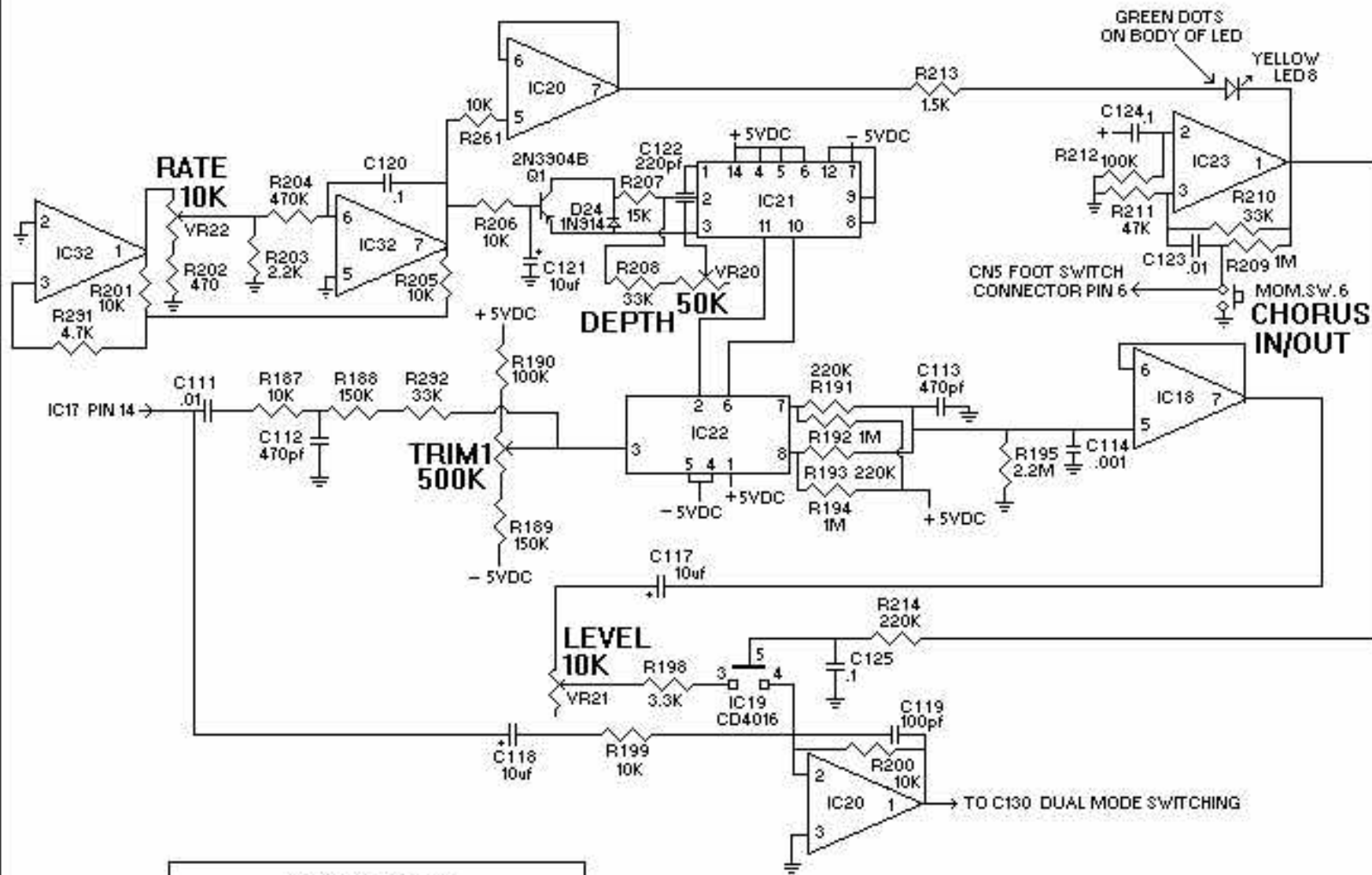


PLEASE NOTE:

- 1.> ALL RESISTORS 1/10th WATT 5%
- 2.> C103,C110 ALL .1 BYPASS CAPS
- 3.> ALL IC'S ON THIS PAGE + AND -5VDC ONLY

SWR SOUND CORP	
MINI-MO / MO'BASS 2 mo'EQ SCHEMATIC	
DATE	1-20-03
	REV. 2.4
	MAIN P.C.B. PART#170056
DESIGN BY	WILLIAM WEST III

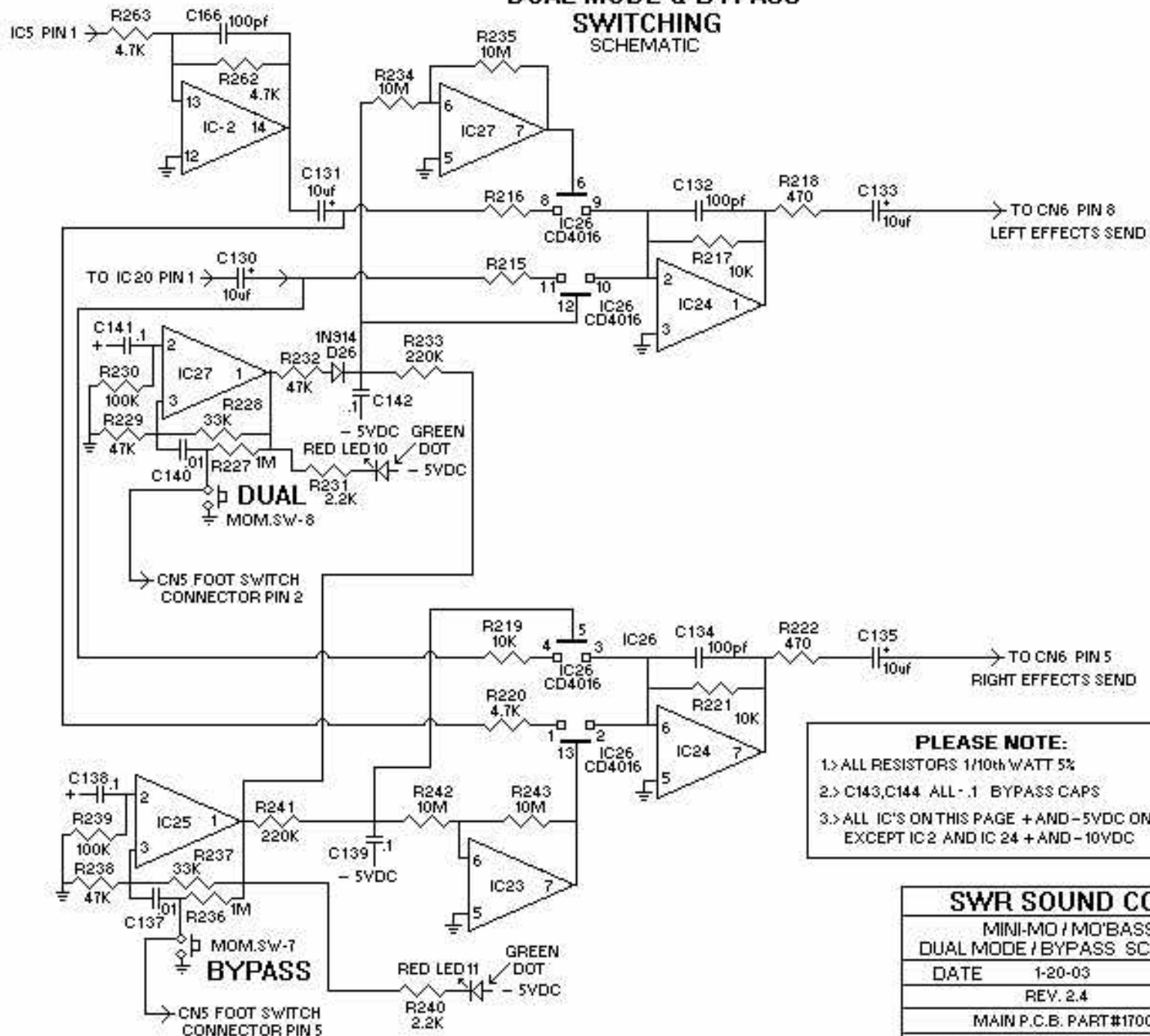
MINI-MO CHORUS SCHEMATIC



PLEASE NOTE:
 1.> ALL RESISTORS 1/10th WATT 5%
 2.> C126,C127,C128,C129 ALL .1 BYPASS CAPS
 3.> ALL IC'S ON THIS PAGE + AND -5VDC ONLY

SWR SOUND CORP	
MINI-MO / MO'BASS 2 CHORUS SCHEMATIC	
DATE	1-20-03
	REV. 2.4
	MAIN P.C.B. PART#170056
DESIGN BY	WILLIAM WEST III

MINI-MO DUAL MODE & BYPASS SWITCHING SCHEMATIC

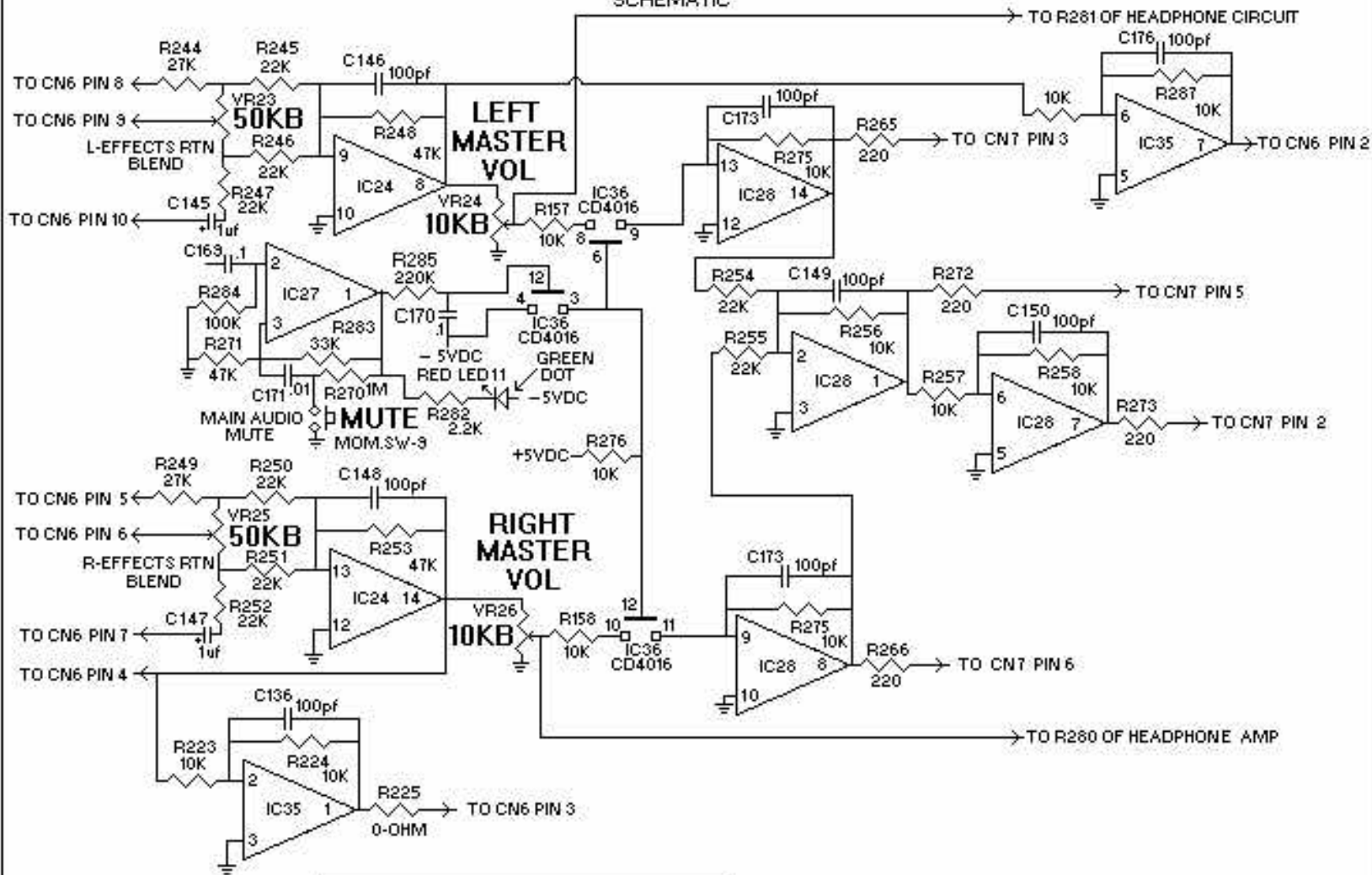


PLEASE NOTE:

- 1.> ALL RESISTORS 1/10th WATT 5%
- 2.> C143, C144 ALL .1 BYPASS CAPS
- 3.> ALL IC'S ON THIS PAGE + AND - 5VDC ONLY EXCEPT IC 2 AND IC 24 + AND - 10VDC

SWR SOUND CORP	
MINI-MO / MO'BASS 2 DUAL MODE / BYPASS SCHEMATIC	
DATE	1-20-03
	REV. 2.4
	MAIN P.C.B. PART#170056
DESIGN BY	WILLIAM WEST III

MINI-MO AUDIO MASTER SECTION SCHEMATIC



PLEASE NOTE:

- 1.> ALL RESISTORS 1/10th WATT 5%
- 2.> C151, C152 ALL .1 BYPASS CAPS
- 3.> ALL IC'S ON THIS PAGE + AND - 5VDC ONLY
EXCEPT IC24, IC28, AND IC35 + AND - 10VDC

SWR SOUND CORP

MINI-MO / MO'BASS 2
AUDIO MASTER SECTION SCHEMATIC

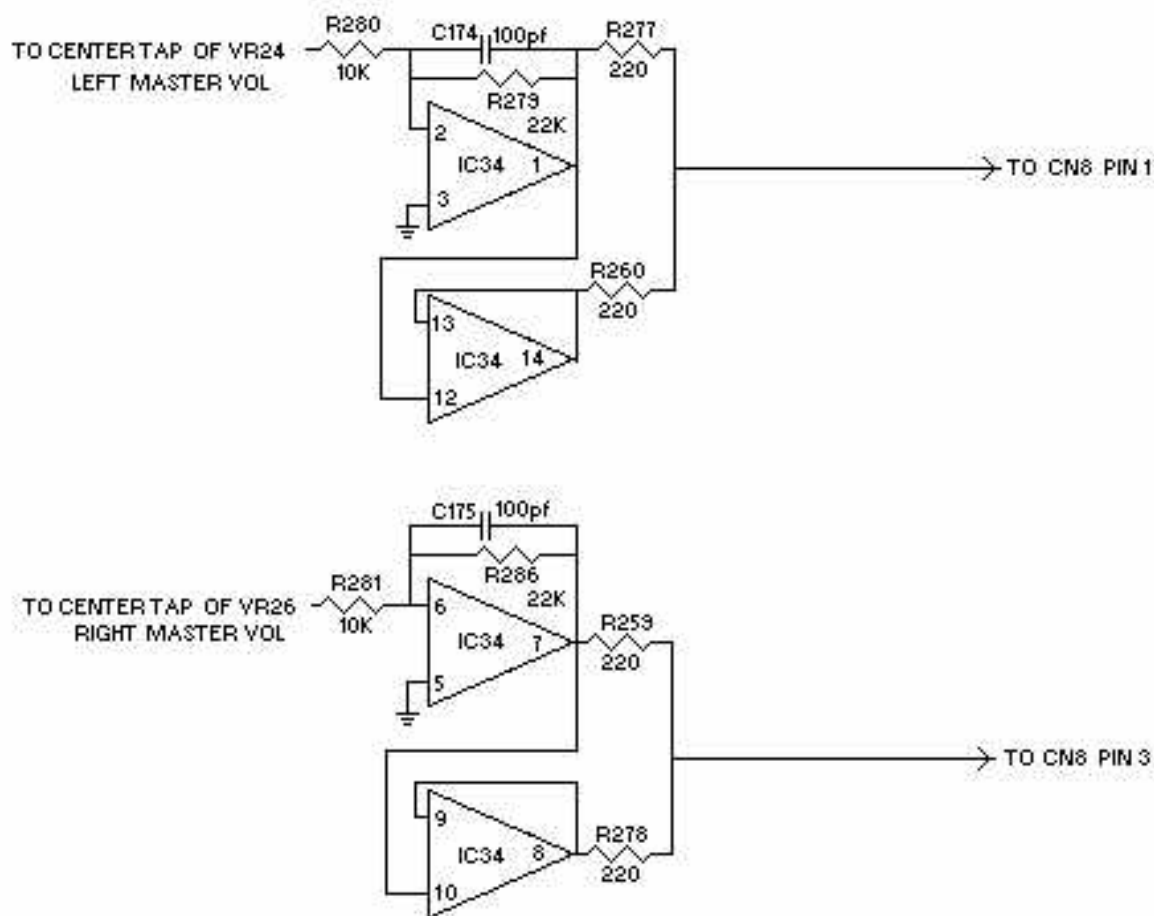
DATE 1-20-03

REV. 2.4

MAIN P.C.B. PART #170056

DESIGN BY STEVE RABE AND WMWEST

MINI-MO HEADPHONE AMP SCHEMATIC



PLEASE NOTE:

- 1.> ALL RESISTORS 1/10th WATT 5%
- 2.> ALL IC'S ON THIS PAGE + AND - 10VDC ONLY

SWR SOUND CORP

MINI-MO / MO'BASS 2
HEADPHONE AMP SCHEMATIC

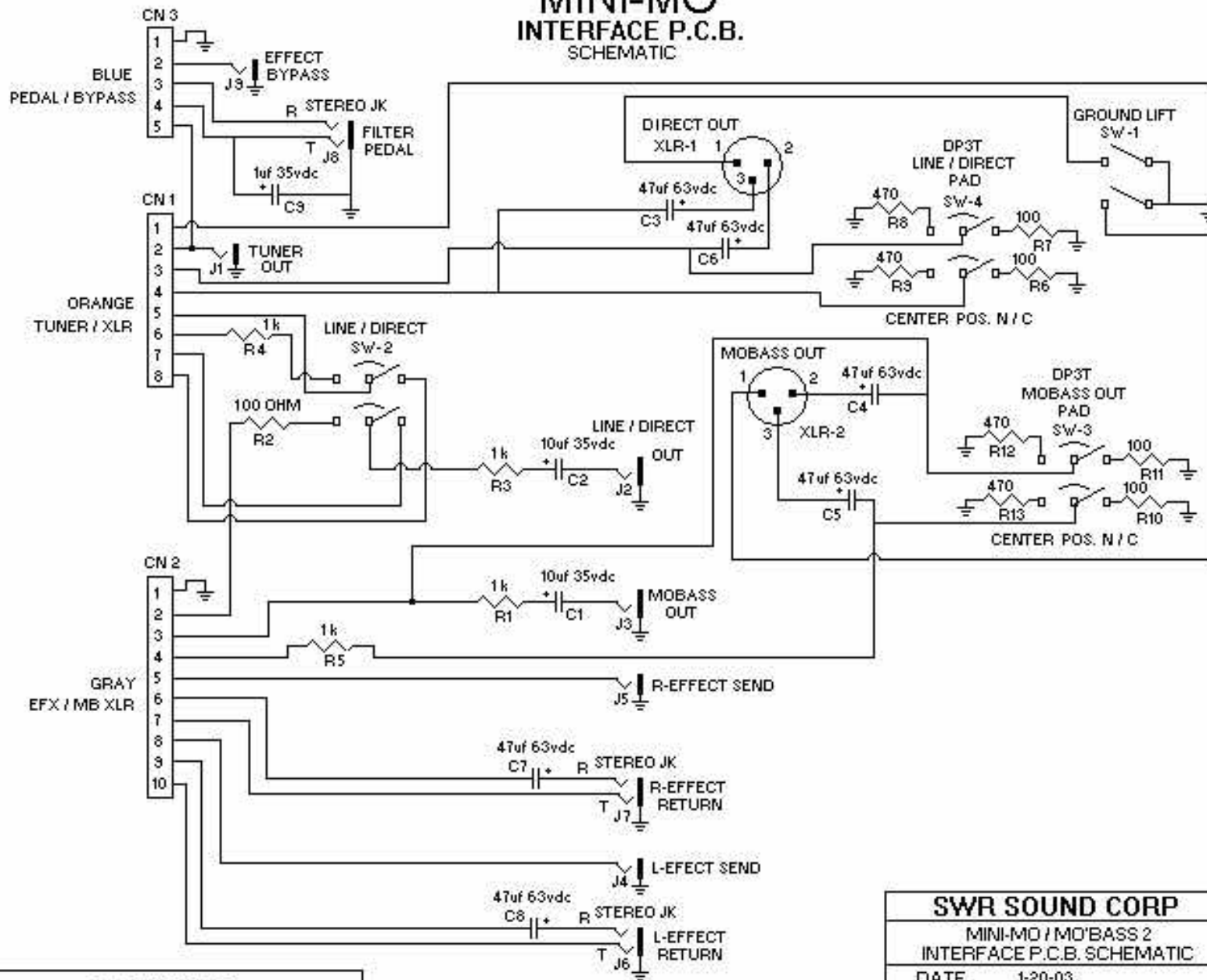
DATE 1-20-03

REV. 2.4

MAIN P.C.B. PART#170056

DESIGN BY WM WEST III

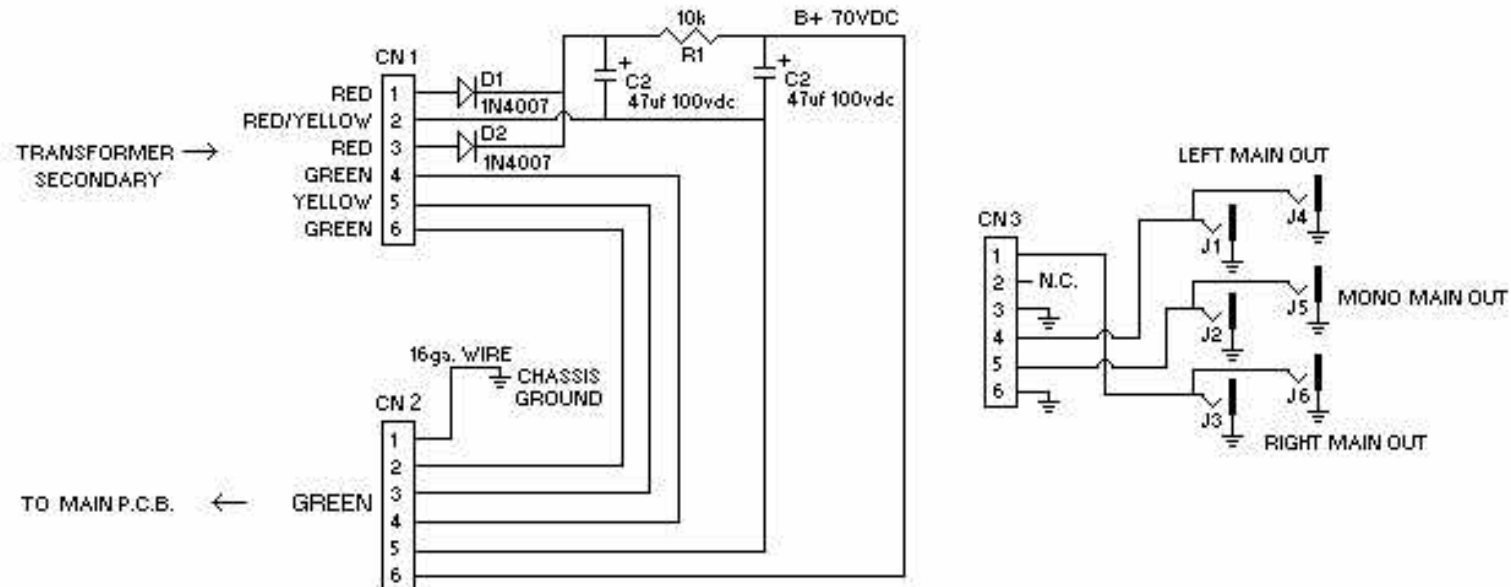
MINI-MO INTERFACE P.C.B. SCHEMATIC



PLEASE NOTE:
1. > ALL RESISTORS 1/8 WATT 5%

SWR SOUND CORP	
MINI-MO / MO'BASS 2 INTERFACE P.C.B. SCHEMATIC	
DATE	1-20-03
	REV. 2.4
	PART# 170058
DESIGN BY	WM WEST III

MINI-MO POWER-OUTPUT JK P.C.B. SCHEMATIC



PLEASE NOTE:
1.) ALL RESISTORS 1/4 WATT 5%

SWR SOUND CORP	
MINI-MO / MO'BASS 2 POWER-JK P.C.B. SCHEMATIC	
DATE	1-20-03
	REV. 2.4
	PART# 170057
DESIGN BY	WM WEST III