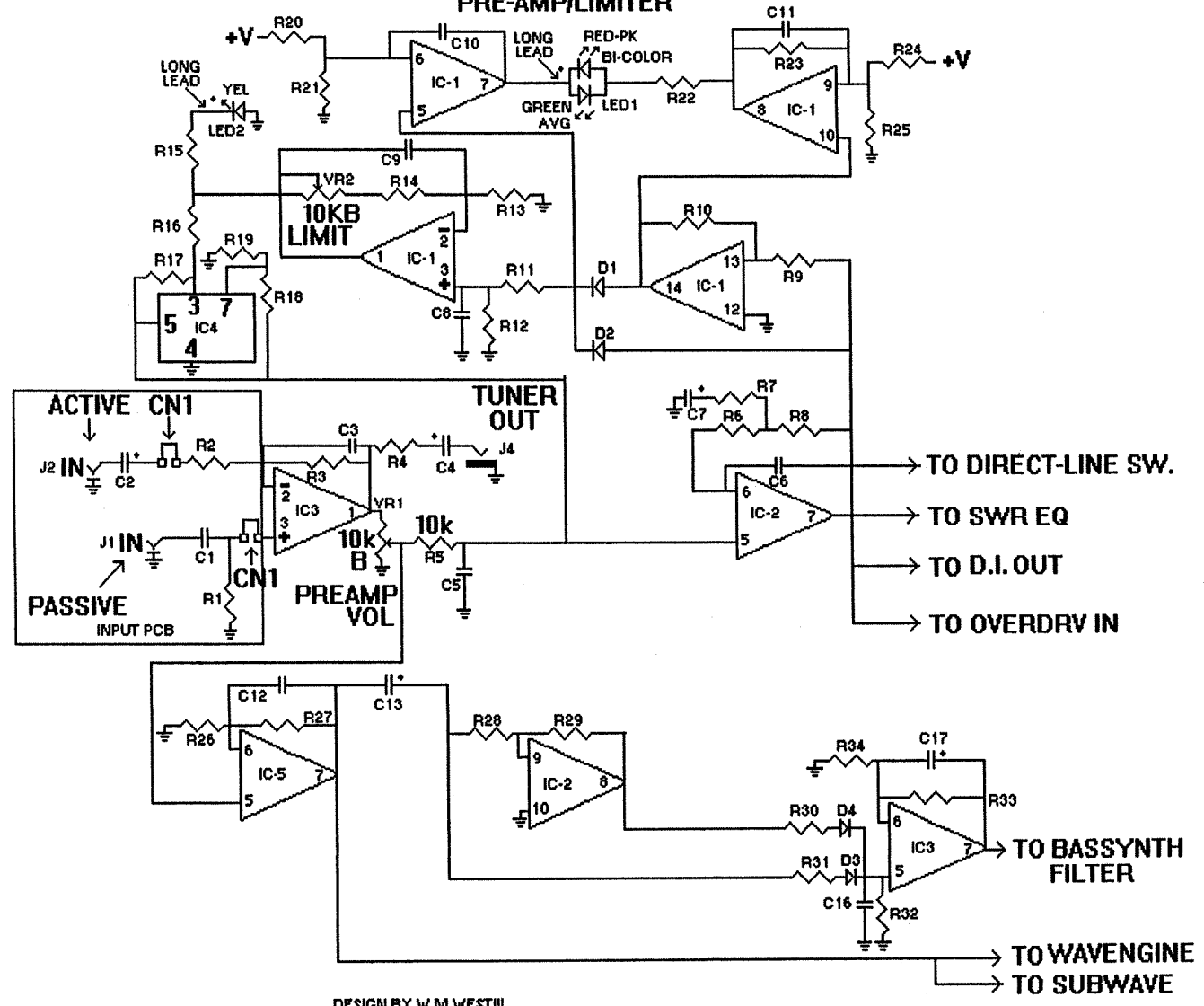
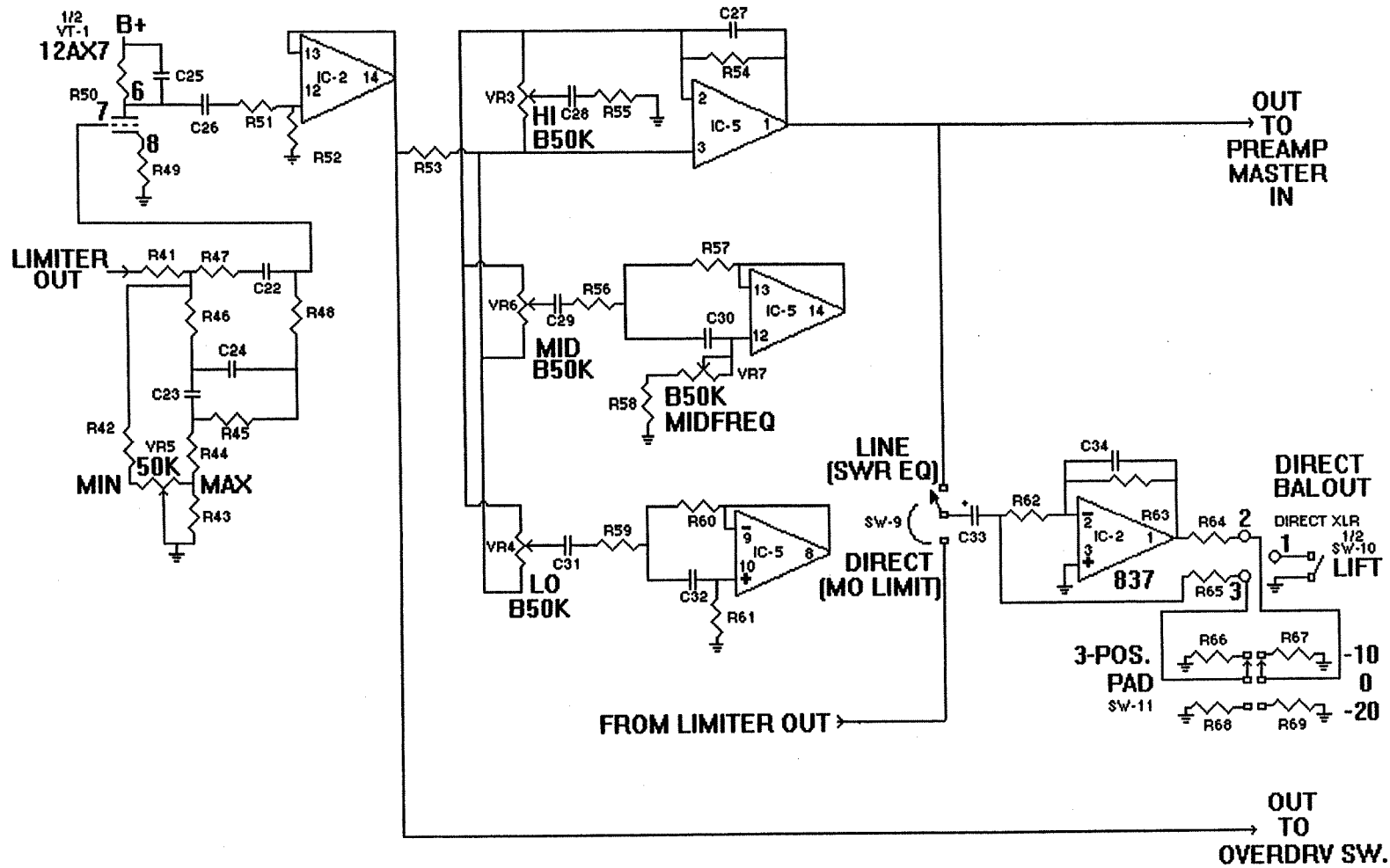


MO-BASS PRE-AMP/LIMITER

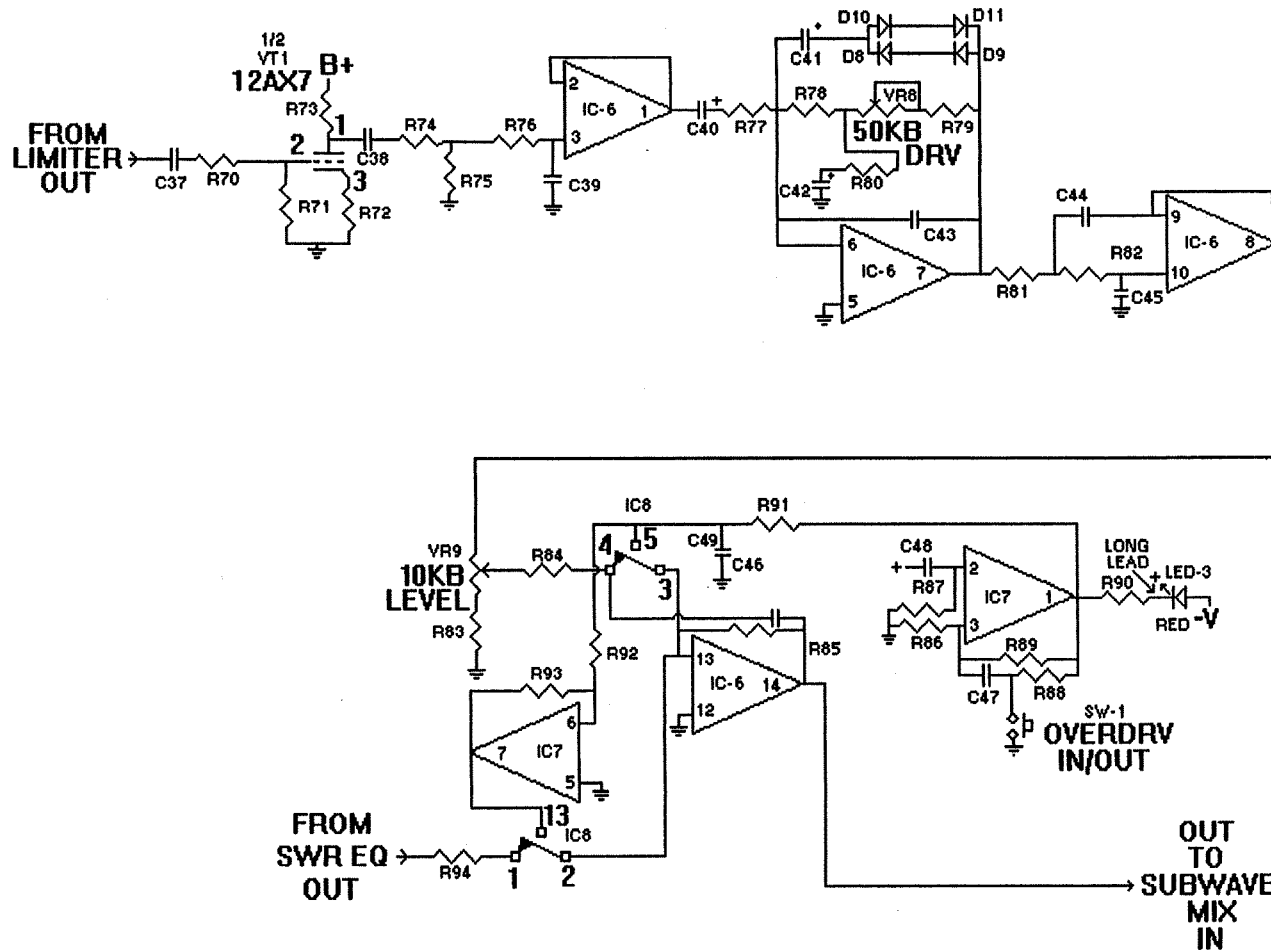


DESIGN BY W.M.WESTIII

MO-BASS SWR EQ-BUFFER

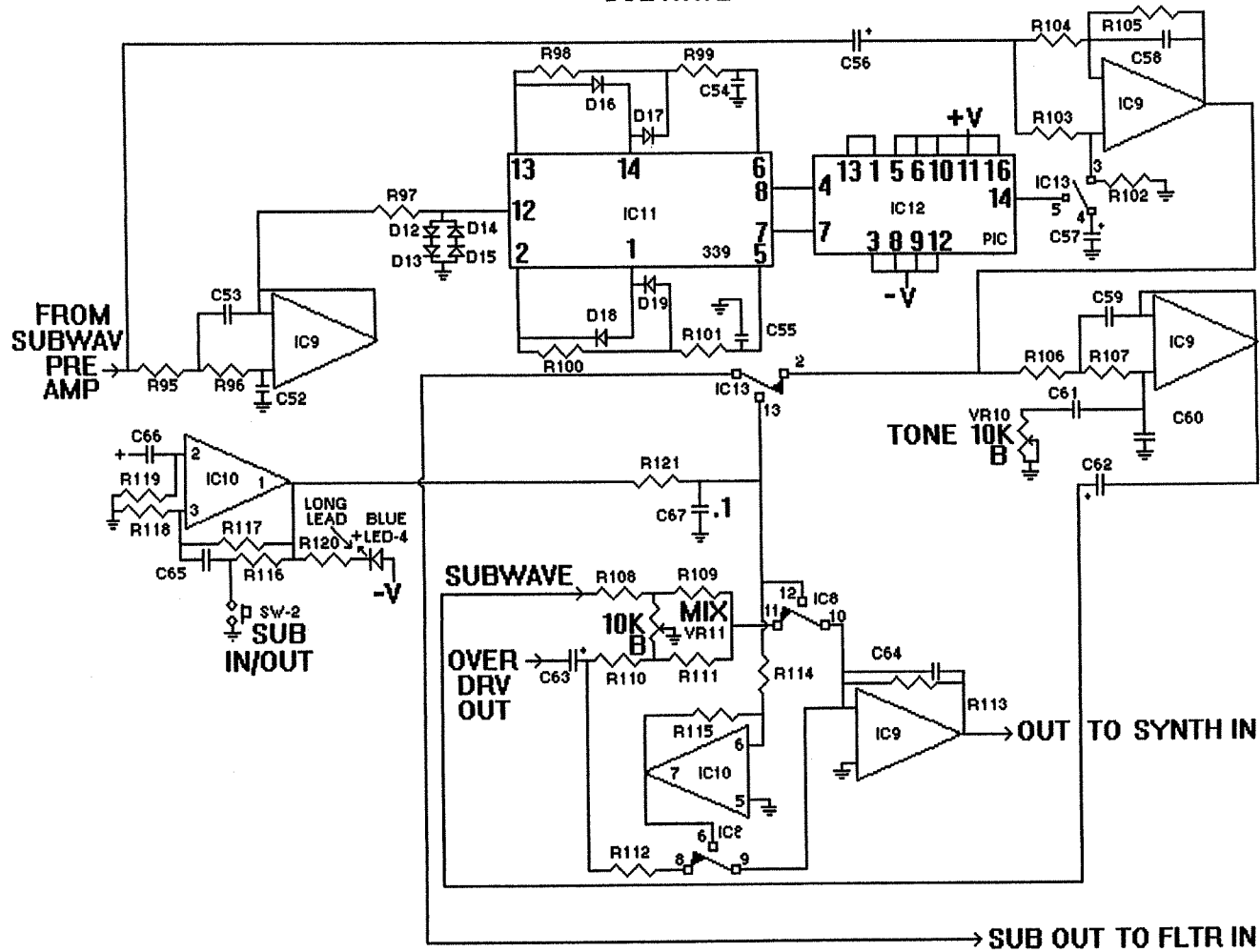


MO-BASS OVERDRV



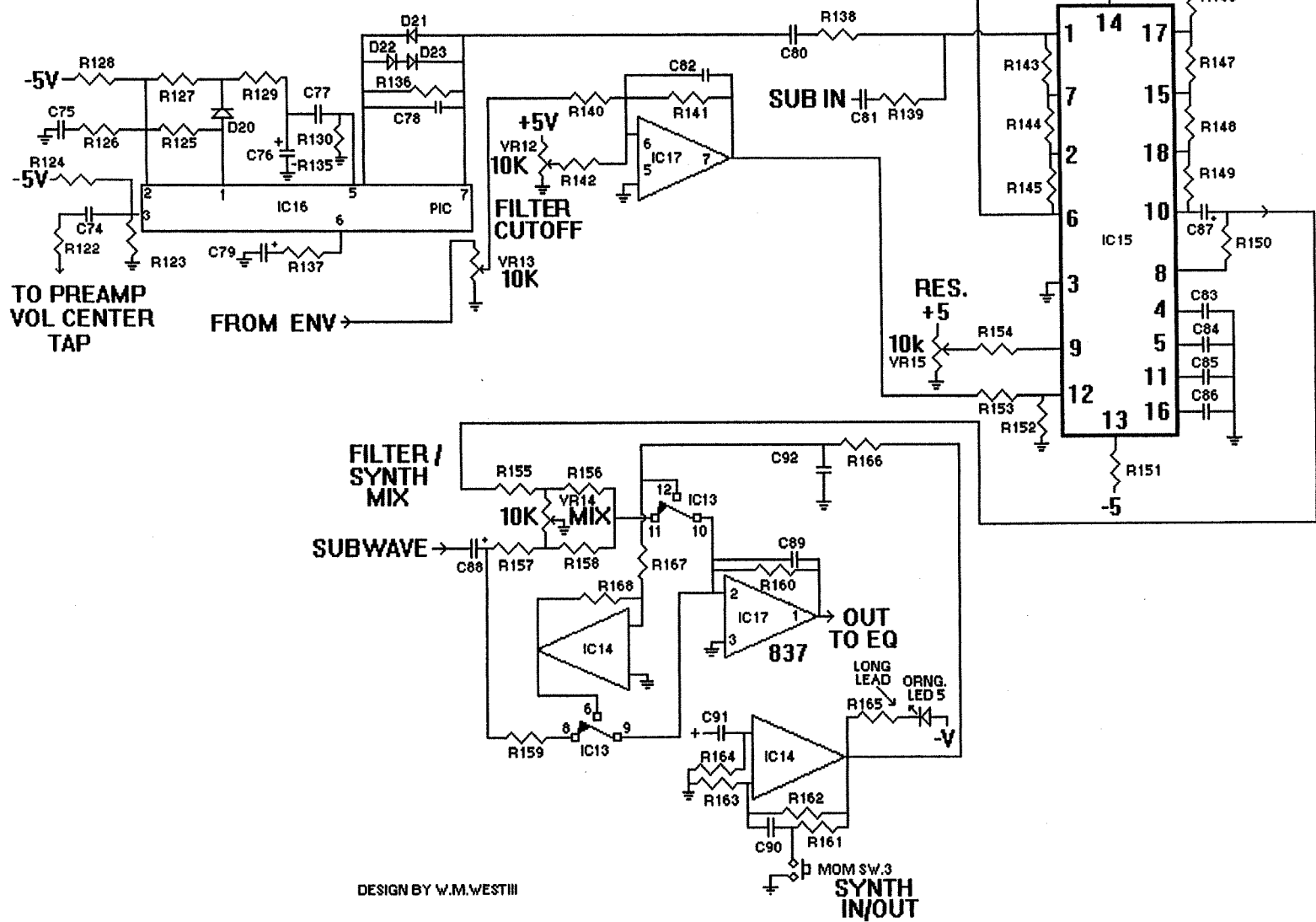
DESIGN BY W.M.WESTIII

MO-BASS SUBWAVE



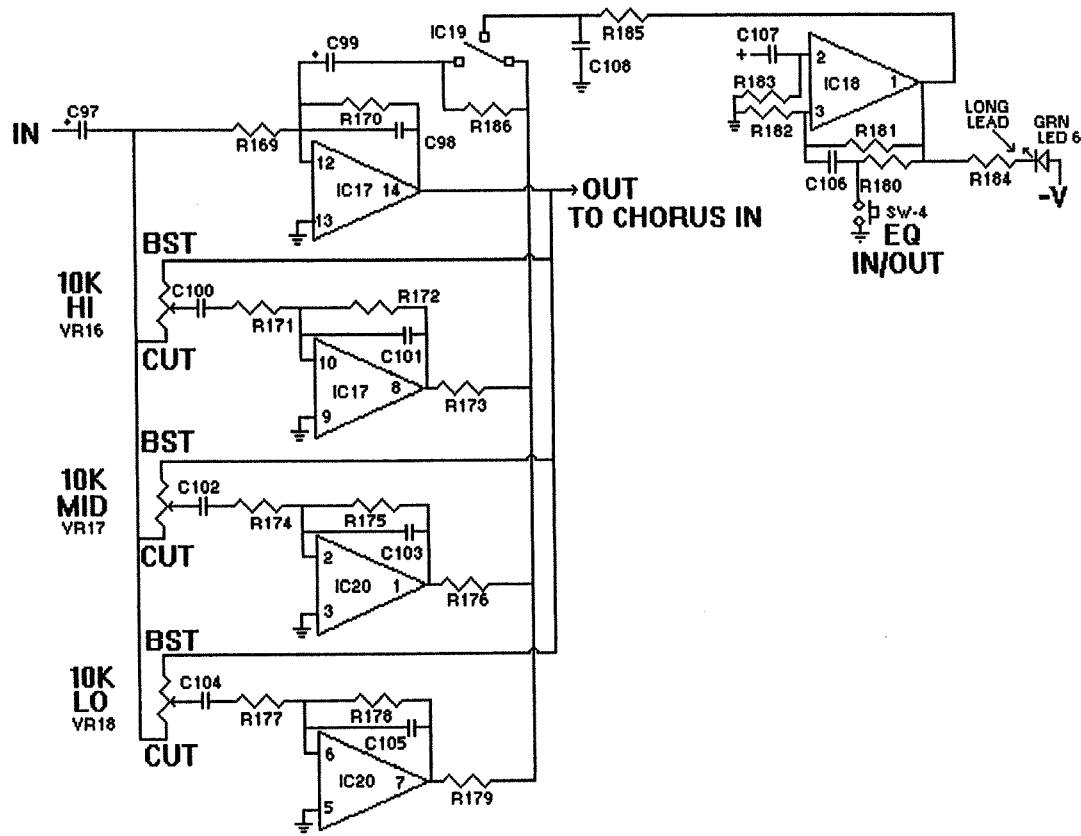
DESIGN BY W.M.WESTIII

MO-BASS BASSYNTH



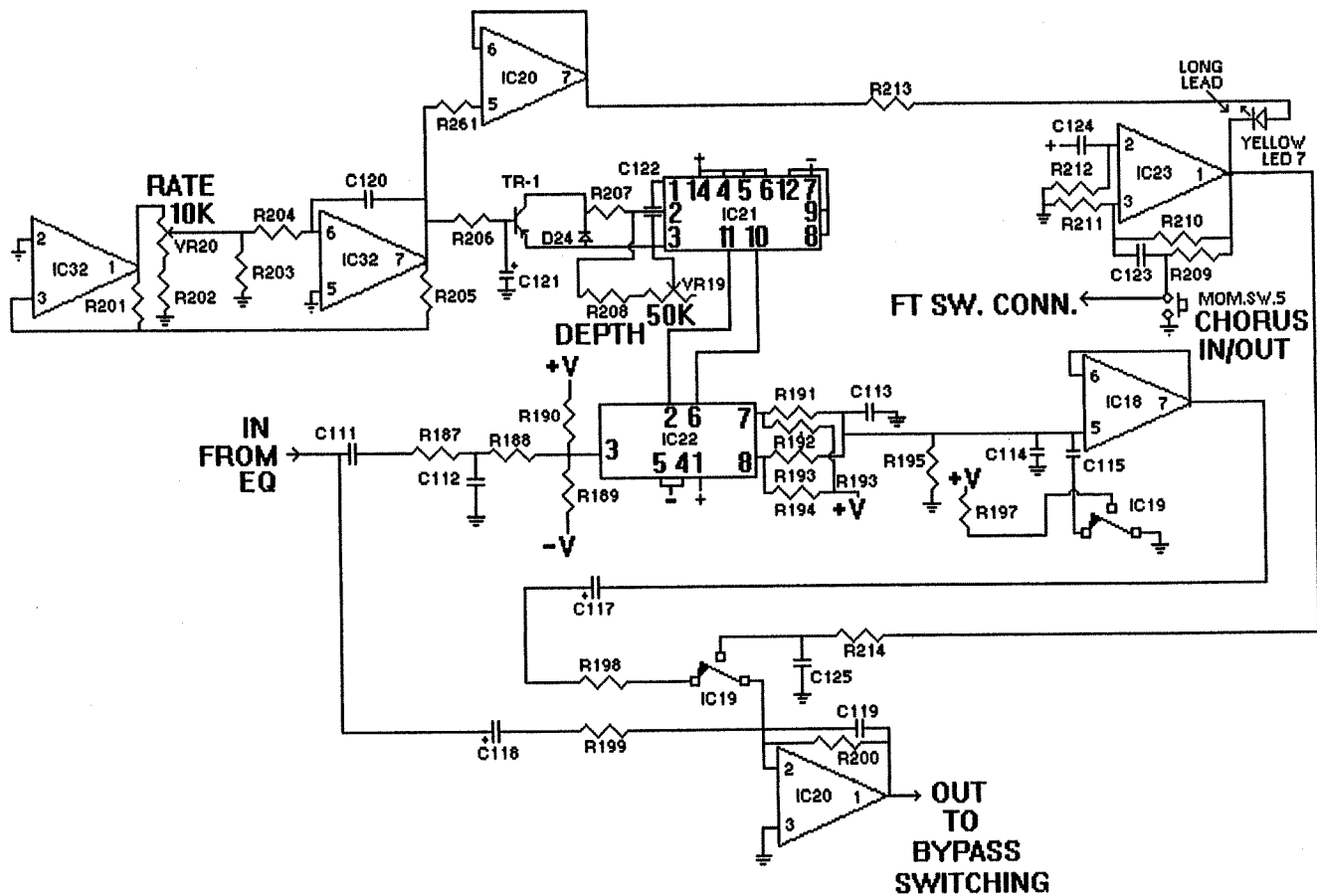
DESIGN BY W.M.WESTIII

MO-BASS EQ



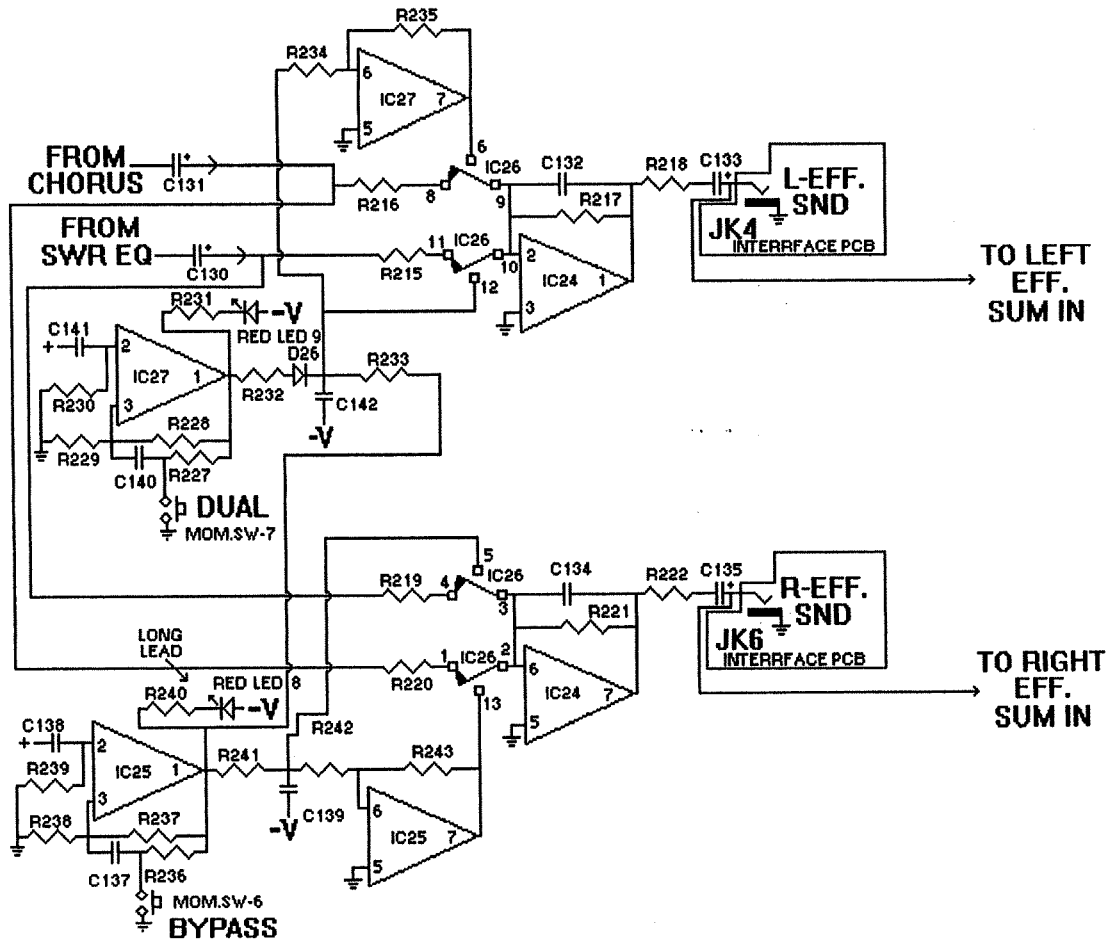
DESIGN BY W.M.WESTIII

MO-BASS CHORUS



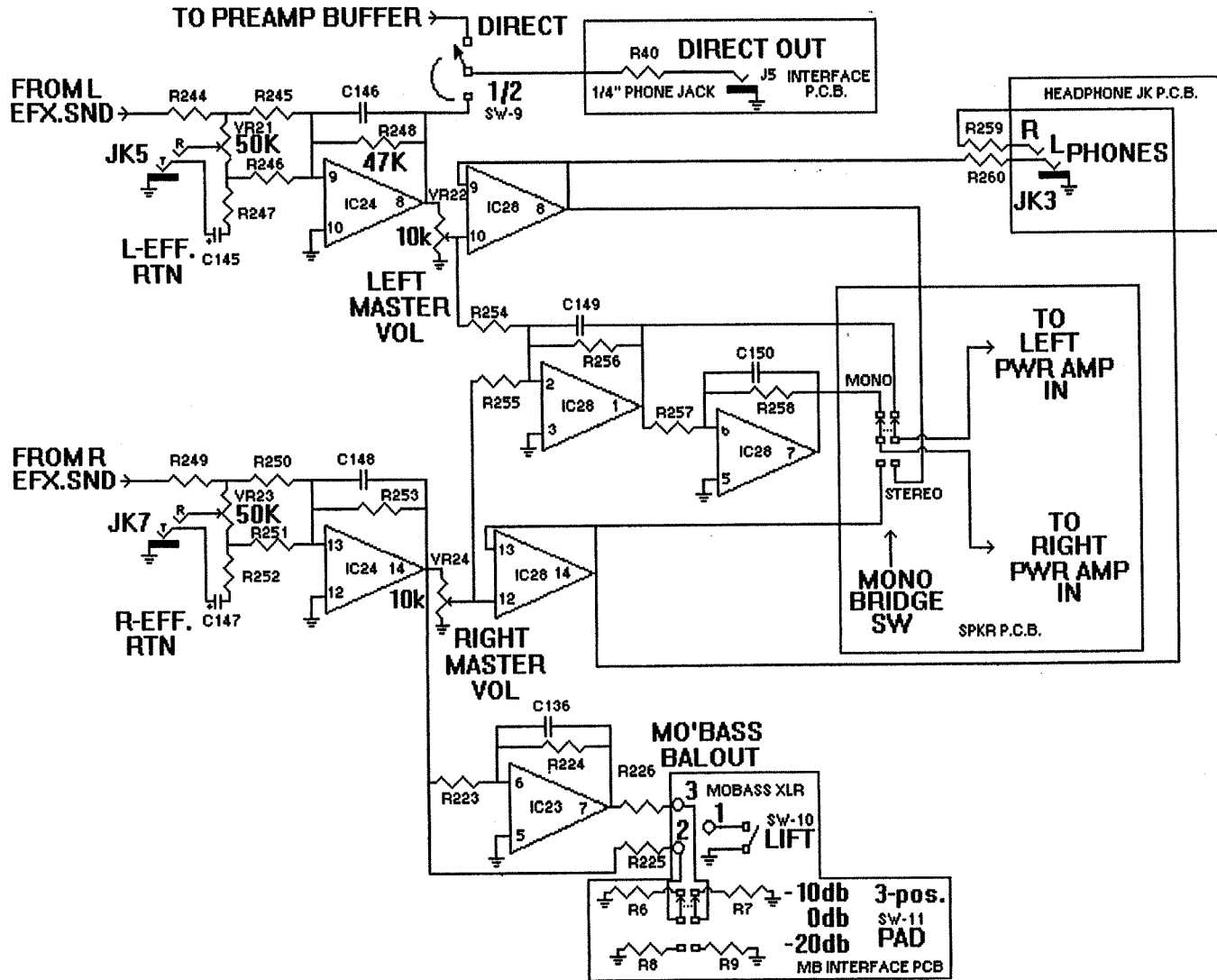
MO-BASS

DUAL MODE & BYPASS SWITCHING



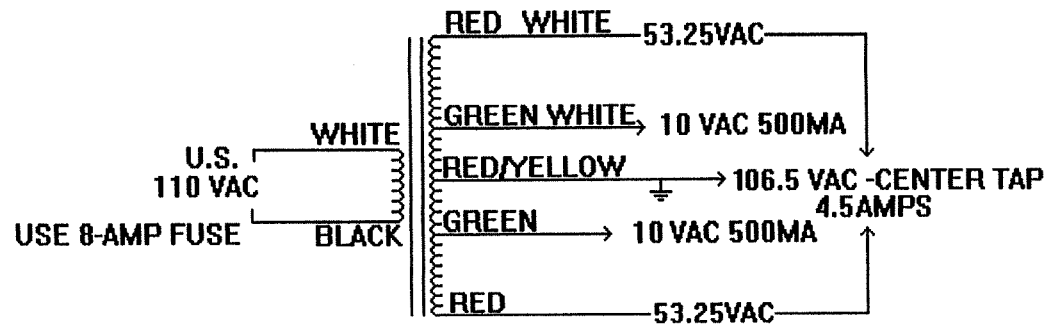
DESIGN BY W.M.WESTIII

MO-BASS MASTER

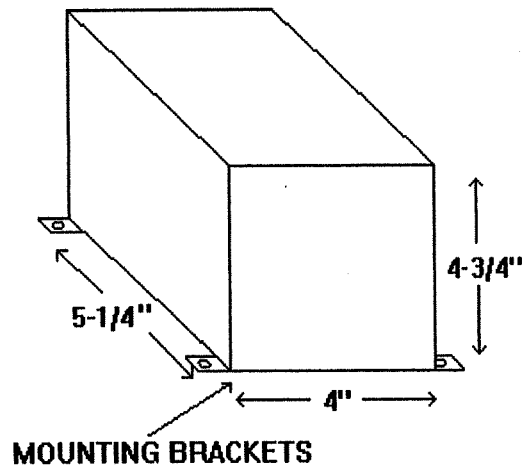


**MO-BASS
TRANSFORMER**

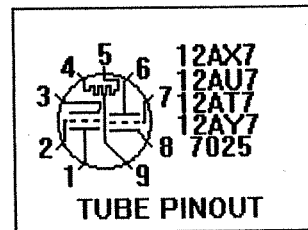
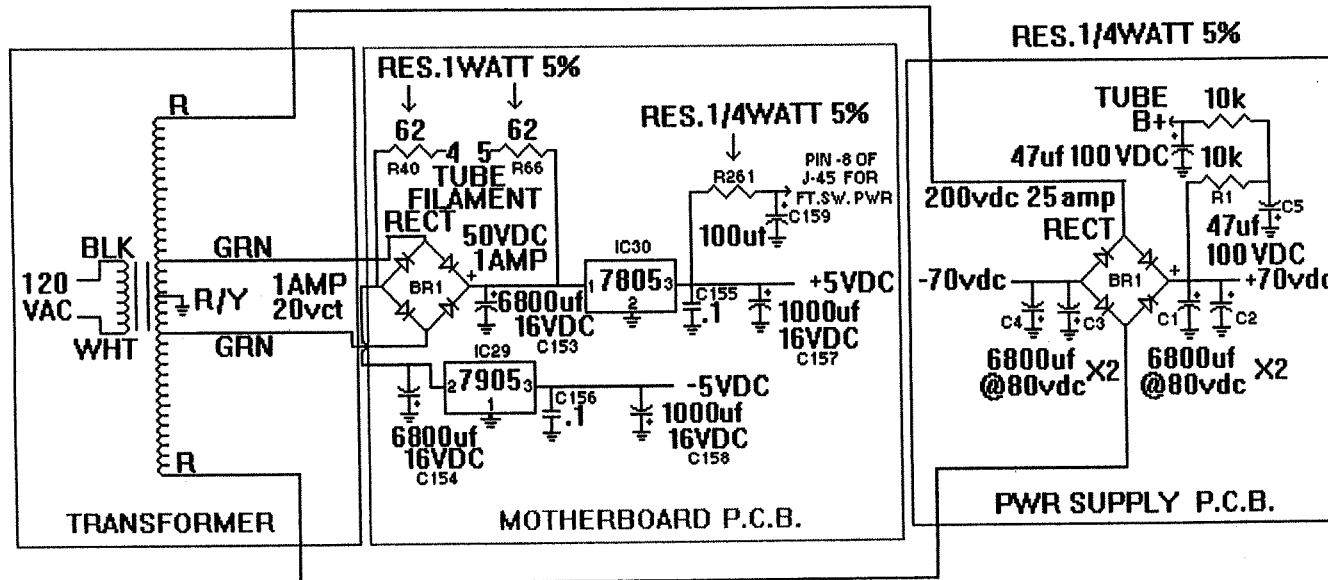
CLASS-B



MAXIMUM DIMENSIONS



MO-BASS POWER SUPPLY



MO-BASS
CHASSIS
GROUND SCHEME
TOP VIEW

ISOLATED
FROM CHASSIS
INPUT JACK
P.C.B.

INTERFACE
P.C.B.

FT.SW. P.C.B.

FRONT

MOTHER
BOARD
PREAMP

BACK

ALL 16 GAUGE
WIRE

.156 CONNECTOR
GND PATH
FOR LOW
VOLTAGE SUPPLY

4 METAL BUSHING
1/4IN JACKS TO
CHASSIS GND

ISOLATED
FROM CHASSIS
HEADPHONE JK
P.C.B.

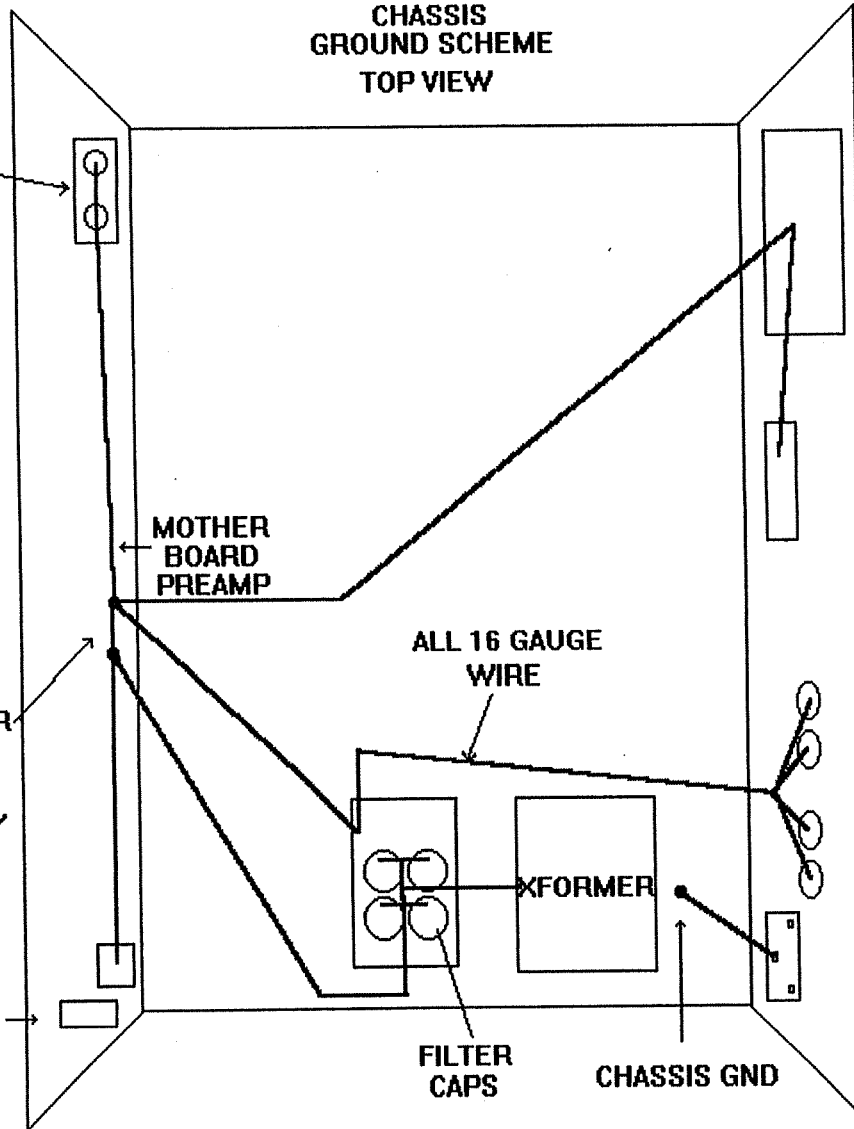
PWR SWITCH
PLASTIC

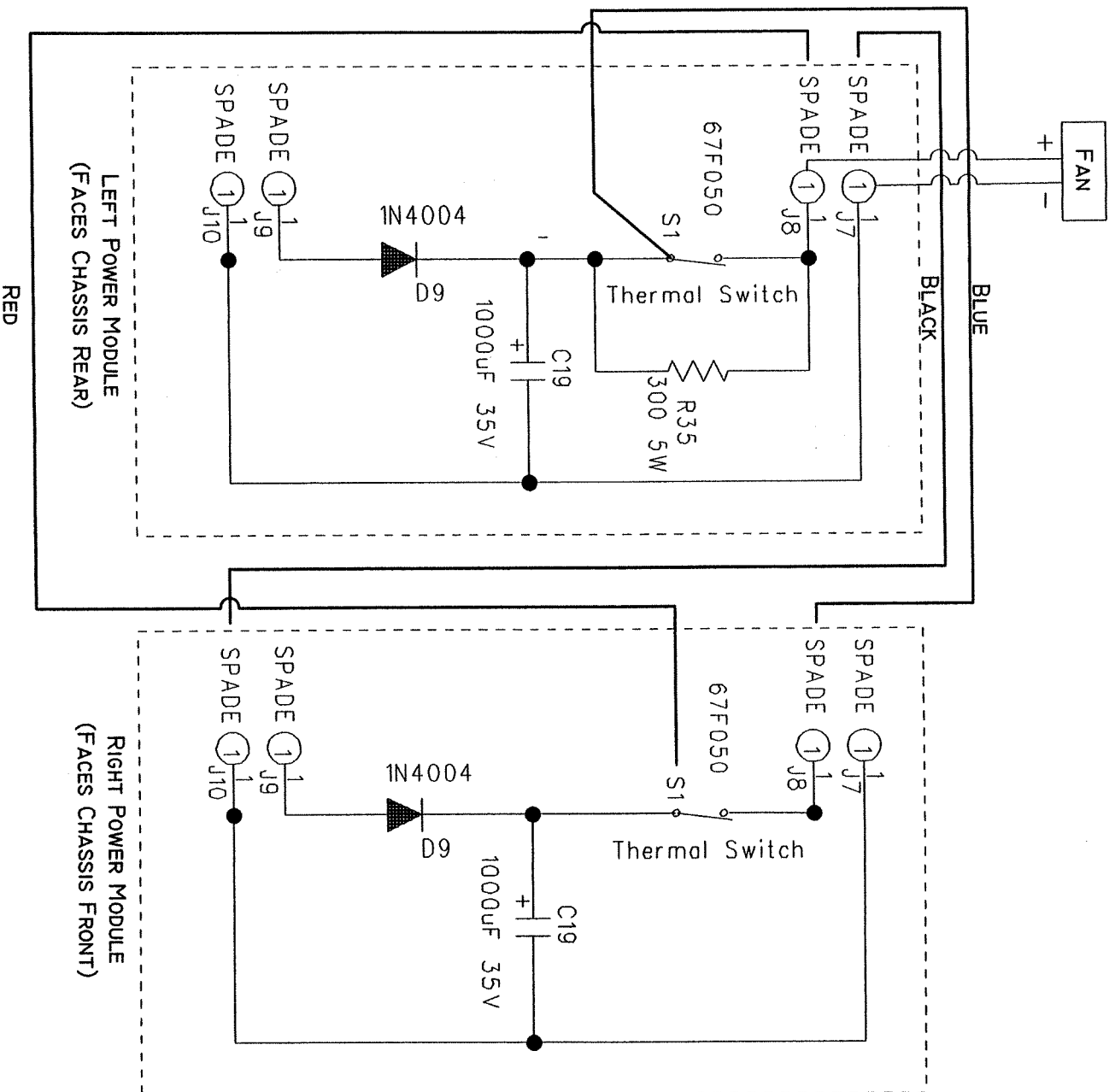
XFORMER

← 120VAC IN

FILTER
CAPS

CHASSIS GND





SWR Sound Corp.
Mo'BASS -- FAN CIRCUIT
SEPT 2000

MO'BASS SIGNAL PATH

