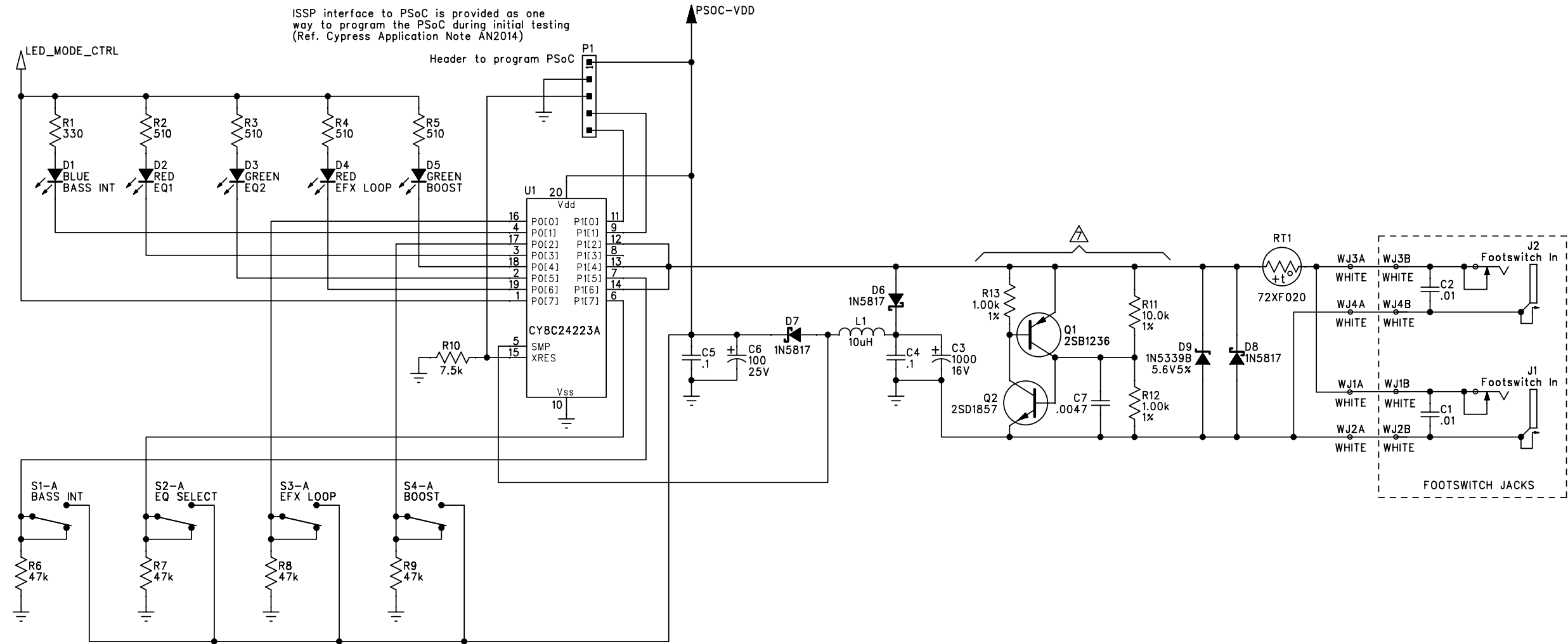


REVISIONS			
REV.	DESCRIPTION	DATE	APPROVED
A	PR705	12-OCT-06	R J D



- ⚠ DO NOT STUFF: C7, Q1-2, R11-13.
- LAST REFERENCE DESIGNATORS: C7, D9, J2, P1, Q2, R13, RT1, S5, U1, WJ4.
 - THIS SCHEMATIC IS FOR PCB FABRICATION P/N 0072473000 AND PCB ASSEMBLY P/N 0072474000.
 - ALL DIODES ARE 1N4448.
 - ALL POLARIZED CAPACITORS IN μ F, 20%; 50V MINIMUM.
 - ALL UNPOLARIZED CAPACITORS IN μ F, 10% OR BETTER; 50V MINIMUM. (POWER SUPPLY BYPASS CAPACITORS ARE 20%).
 - ALL RESISTORS IN OHMS, 5%; 1/4W.
- NOTES: (UNLESS OTHERWISE NOTED)

THIS DOCUMENT CONTAINS INFORMATION OF A PROPRIETARY NATURE TO FENDER MUSICAL INSTRUMENTS AND IS SUBMITTED TO YOU IN CONFIDENCE AND SHALL NOT BE DISCLOSED OR TRANSMITTED TO OTHERS WITHOUT AUTHORIZATION FROM FENDER MUSICAL INSTRUMENTS.		Fender MUSICAL INSTRUMENTS Corona, CA U.S.A.	
CHECKED BY: _____ DATE: _____		TITLE: SERVICE DIAGRAM, COMBINED (schematic) SWR SM1500 FOOTSWITCH, 4-BUTTON	
APPROVED BY: _____ DATE: _____		SIZE B	DRAWING NUMBER 0072472000
DRAWN: B. DESI	ENGR: B. DESI	REV. A	
DATABASE FILE: z705s5.SCH		RELEASE DATE: 12-OCT-06	SHEET: 1 OF 1