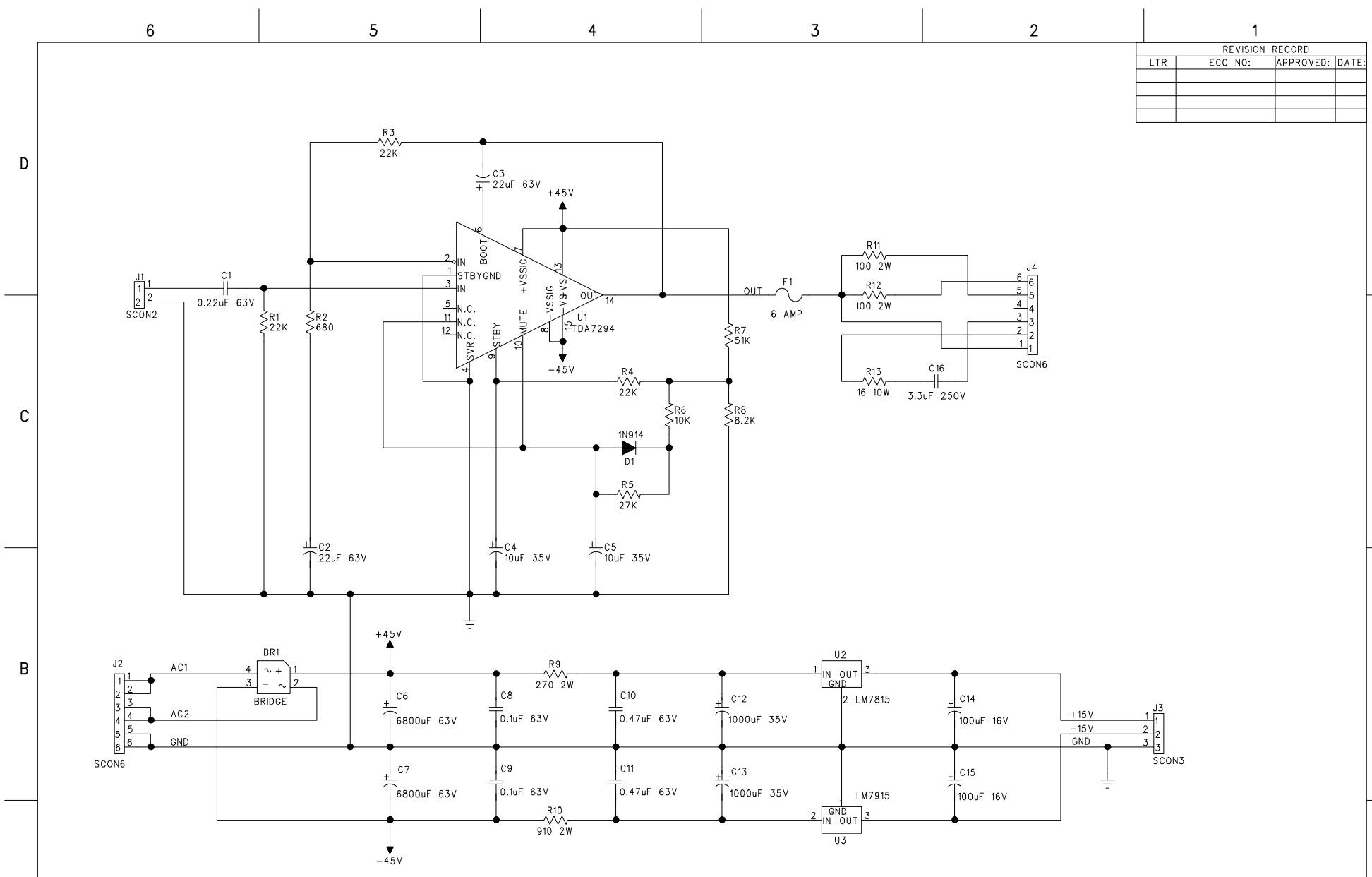


REVISION RECORD			
LTR	ECO NO:	APPROVED:	DATE:

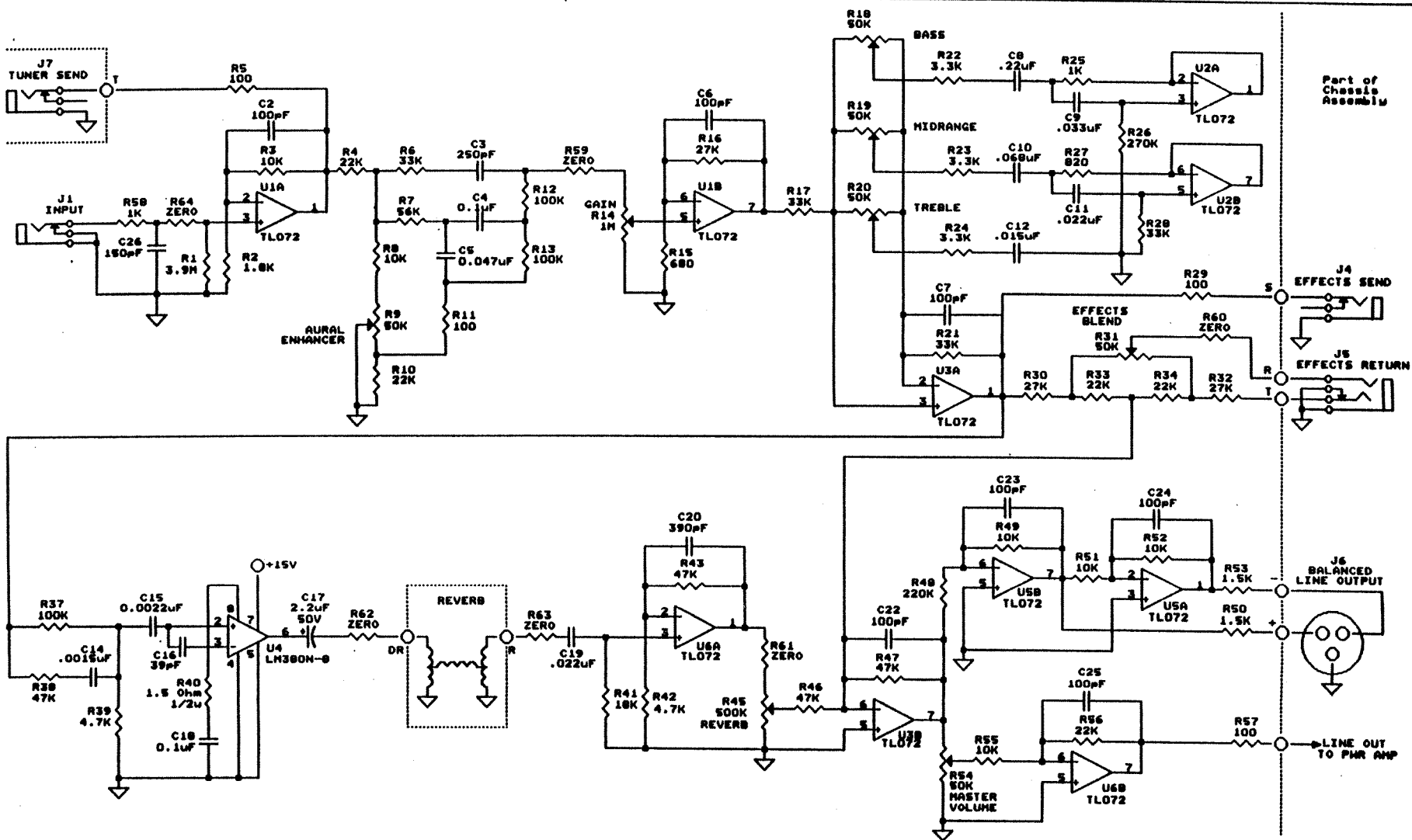


COMPANY: **SWR Sound Corp.**

TITLE: **Strawberry Blonde - Power Amp PCB**

DRAWN: GMx	DATED: 28 Sep 00
CHECKED:	DATED:
QUALITY CONTROL:	DATED:
RELEASED:	DATED:

CODE:	SIZE: C	DRAWING NO: strawblnd.sch 70046E	REV: E
SCALE:			SHEET: 1 OF 1



Part of Chassis Assembly

3. Last Designators: R64, C26, U5
2. All resistor are in Ohms, 1/4 Watt.
1. Power to all TL072s is +15 Volts to pin 8 and -15 Volts to pin 4.

NOTES (Unless otherwise stated):

SMR SOUND CORPORATION		
9130 Glenoaks Blvd.		
Sun Valley, CA 91352		
Phone: (818)253-4797		FAX: (818)253-4799
<a href="http://www.smrson.com">http://www.smrson.com</a>		
Title		
PREAMP, STRAWBERRY BLONDE		
Size Document Number	REV	
B	700045	C
Date:	June 24, 1997	Page 1 of 1