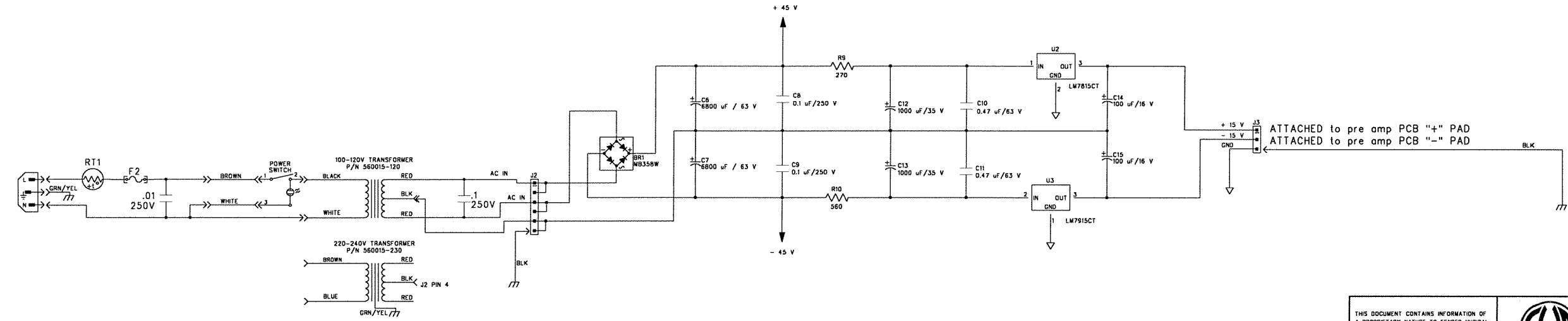
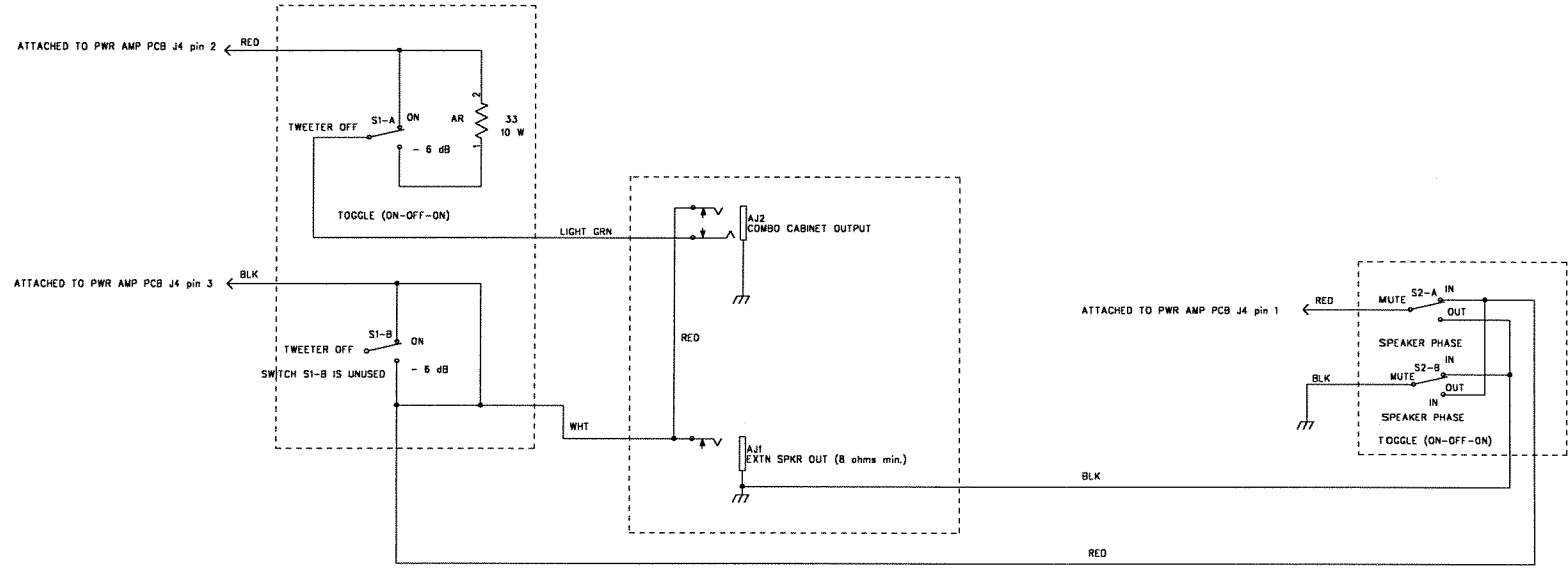
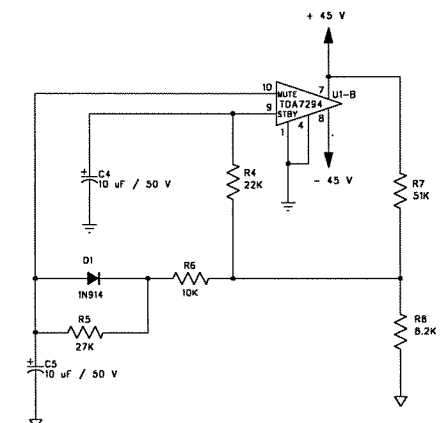
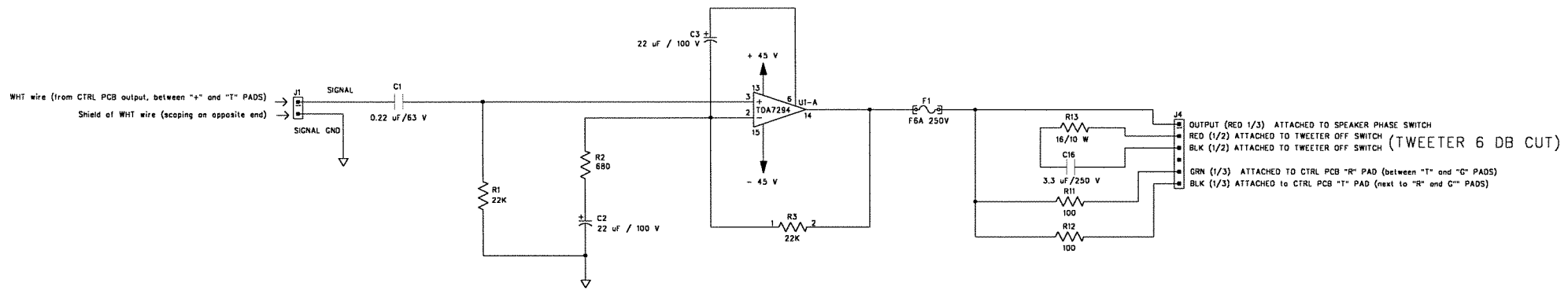



REVISIONS			
REV.	DESCRIPTION	DATE	APPROVED
A	EC2978	5-SEP-03	S.M.B.

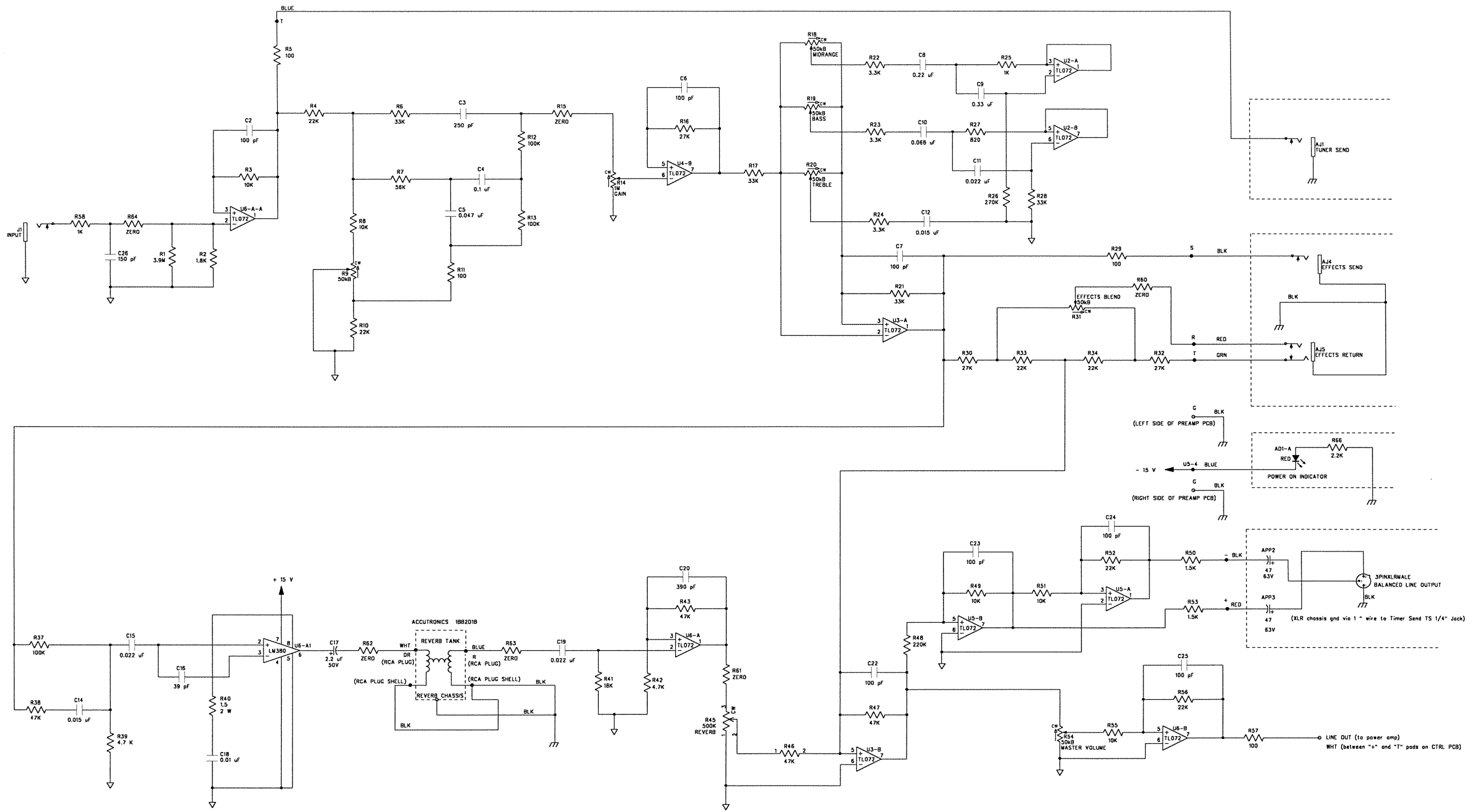


VOLTAGE	F2 FUSE RATING
100-120V	T2A 250V SLO-BLOW
220-240V	T1A 250V SLO-BLOW


- NOTES: (UNLESS OTHERWISE NOTED)
- THIS SCHEMATIC IS FOR PCB ASSEMBLY P/N 006647000
 - ALL DIODES ARE 1N4448.
 - ALL POLARIZED CAPACITORS IN uF, 20%; 50V MINIMUM. (POWER SUPPLY BYPASS CAPACITORS ARE 20%).
 - ALL UNPOLARIZED CAPACITORS IN uF, 10% OR BETTER; 50V MINIMUM.
 - ALL RESISTORS IN OHMS, 5%; 1/4W.

THIS DOCUMENT CONTAINS INFORMATION OF A PROPRIETARY NATURE TO FENDER MUSICAL INSTRUMENTS AND IS SUBMITTED TO YOU IN CONFIDENCE AND SHALL NOT BE DISCLOSED OR TRANSMITTED TO OTHERS WITHOUT AUTHORIZATION FROM FENDER MUSICAL INSTRUMENTS.		 SWR SOUND Corona, CA U.S.A.
CHECKED BY: _____ DATE: _____ APPROVED BY: <i>S. Banker</i> DATE: 9-22-03 DRAWN: M. Lesko ENGR: M. Lesko DATABASE FILE: STRBLND_pwr.SCH		
TITLE: SERVICE DIAGRAM, COMBINED (schematic) SWR STRAWBERRY BLONDE PWR AMP PCB		REV. A SIZE D DRAWING NUMBER 0063777000 RELEASE DATE: 5-SEP-03 SHEET: 1 OF 2

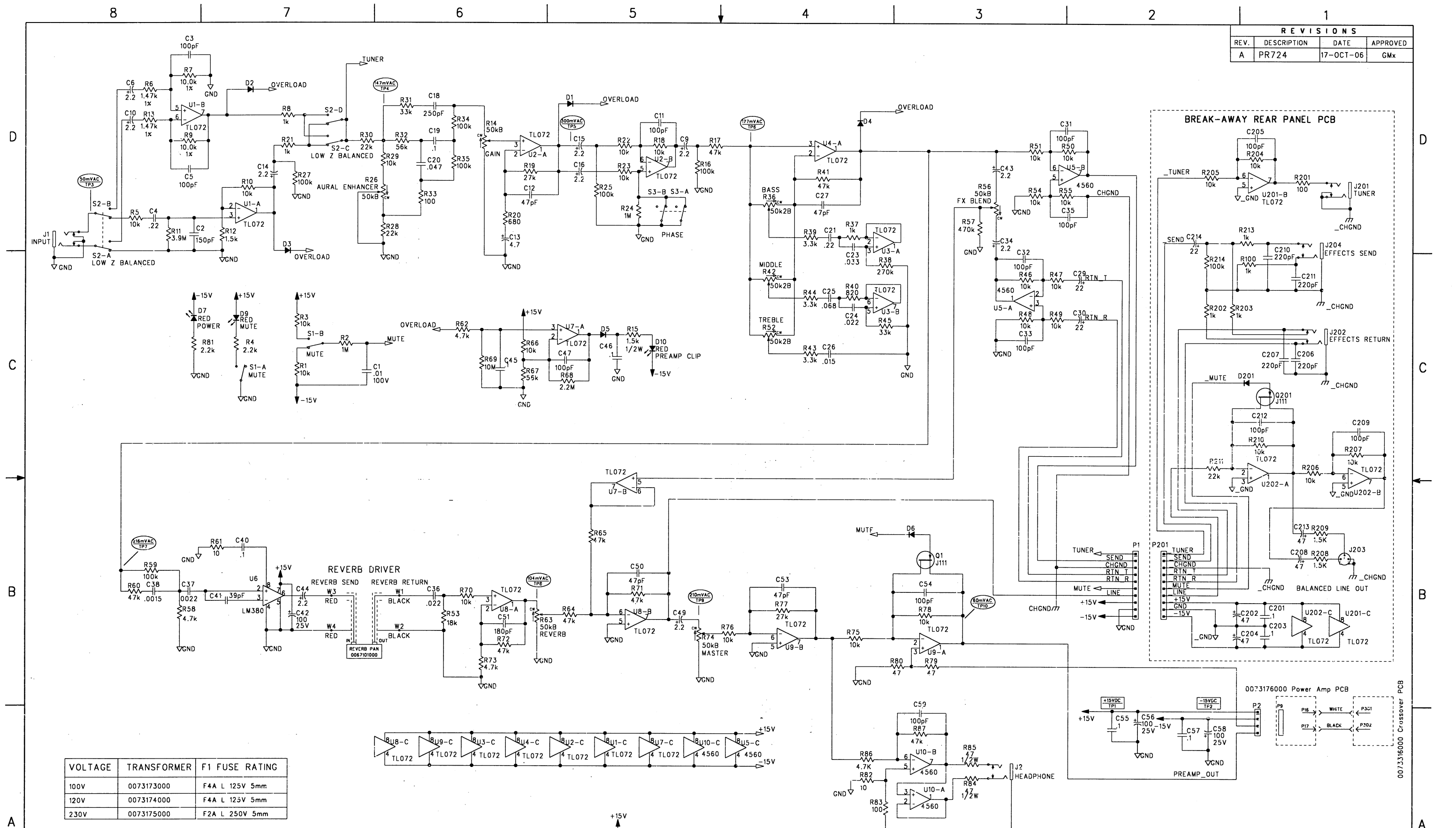
REVISIONS			
REV.	DESCRIPTION	DATE	APPROVED
A	EC2978	5-SEP-03	M M L



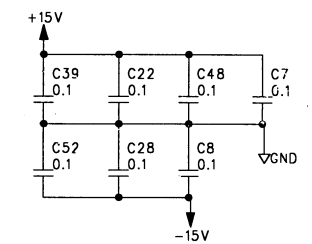
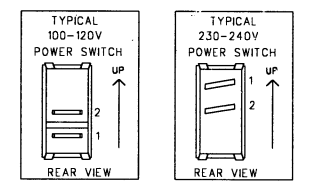
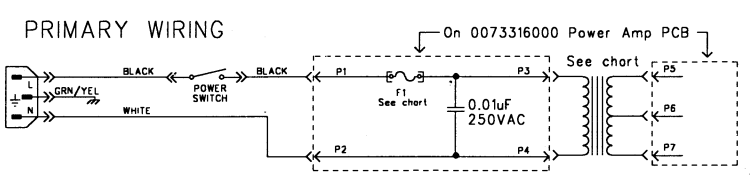
- THIS SCHEMATIC IS FOR PCB ASSEMBLY P/N 0066610000.
 - ALL DIODES ARE 1N4448.
 - ALL POLARIZED CAPACITORS IN uF, 20% 50V MINIMUM. (POWER SUPPLY BYPASS CAPACITORS ARE 20%).
 - ALL UNPOLARIZED CAPACITORS IN uF, 10% OR BETTER, 50V MINIMUM.
 - ALL RESISTORS IN OHMS, 5% 1/4W.
- NOTES: (UNLESS OTHERWISE NOTED)

THIS DOCUMENT CONTAINS INFORMATION OF A PROPRIETARY NATURE TO FENDER MUSICAL INSTRUMENTS AND IS SUBMITTED TO YOU IN CONFIDENCE AND SHALL NOT BE DISCLOSED OR TRANSMITTED TO OTHERS WITHOUT AUTHORIZATION FROM FENDER MUSICAL INSTRUMENTS.		 SWR SOUND Corona, CA U.S.A.	
CHECKED BY:	DATE:	TITLE: SERVICE DIAGRAM, COMBINED (schematic)	REV.
APPROVED BY: <i>S. Bendish</i>	DATE: 9-22-03	SWR STRAWBERRY BLONDE PRE AMP PCB	A
DRAWN: M. Lesko	ENGR: M. Lesko	SIZE: D	DRAWING NUMBER: 0063777000
DATABASE FILE: STRBLND_ctrlSCH	RELEASE DATE: 5-SEP-03	SHEET: 2 OF 2	

REVISIONS			
REV.	DESCRIPTION	DATE	APPROVED
A	PR724	17-OCT-06	GMx



VOLTAGE	TRANSFORMER	F1 FUSE RATING
100V	0073173000	F4A L 125V 5mm
120V	0073174000	F4A L 125V 5mm
230V	0073175000	F2A L 250V 5mm



- NOTES: (UNLESS OTHERWISE NOTED)
- AC AND DC VOLTAGES READ TO GROUND WITH A DVM UNDER THE FOLLOWING CONDITIONS (VOLTAGES MAY VARY +/-20%):
 - UNIT OPERATING AT RATED LINE VOLTAGE
 - ALL CONTROLS AT 50%
 - ALL SWITCHES "OUT" OR "OFF"
 - 50mV, 1KHz SINEWAVE AT INSTRUMENT INPUT
 - THIS SCHEMATIC IS FOR PCB FABRICATION P/N 0073171000 AND PCB ASSEMBLY P/N 0073170000
 - ALL POLARIZED CAPACITORS IN uF, 20% 50V MINIMUM.
 - ALL UNPOLARIZED CAPACITORS IN uF, 10% OR BETTER; 50V MINIMUM. (POWER SUPPLY BYPASS CAPACITORS ARE 20%)
 - ALL RESISTORS IN OHMS, 5% 1/4W.

THIS DOCUMENT CONTAINS INFORMATION OF A PROPRIETARY NATURE TO FENDER MUSICAL INSTRUMENTS AND IS SUBMITTED TO YOU IN CONFIDENCE AND SHALL NOT BE DISCLOSED OR TRANSMITTED TO OTHERS WITHOUT AUTHORIZATION FROM FENDER MUSICAL INSTRUMENTS.

Fender MUSICAL INSTRUMENTS
Corona, CA U.S.A.

CHECKED BY: *H. Kipler*
DATE: *Jan 25 2007*

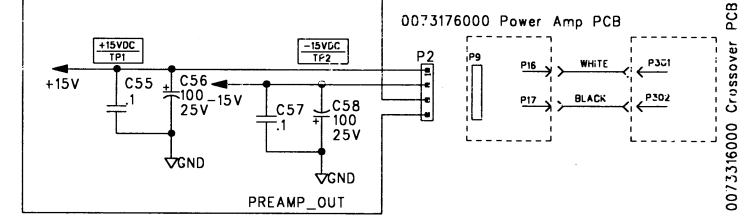
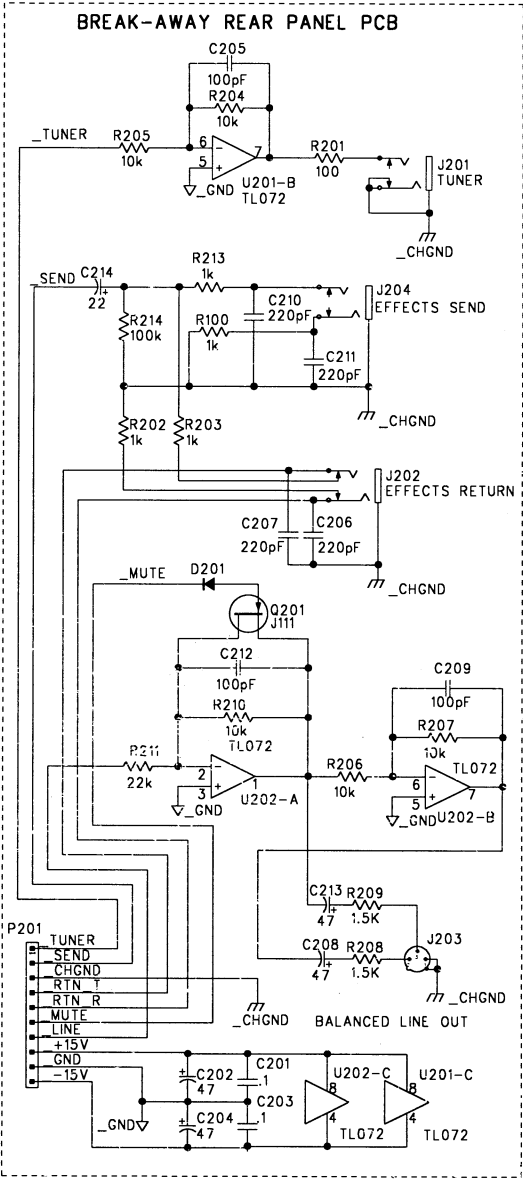
APPROVED BY: *S. Bankhead*
DATE: *Jan 29 2007*

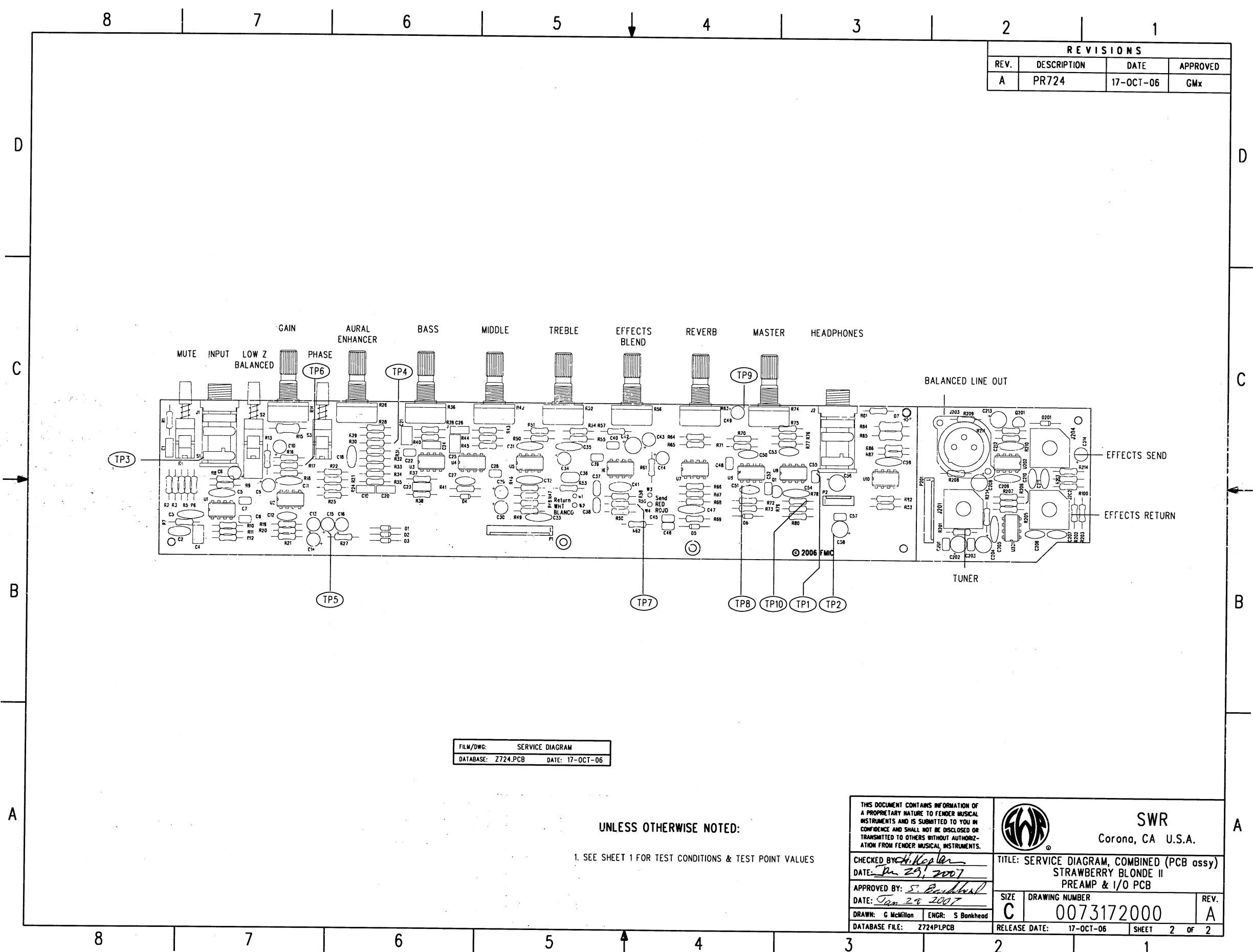
DRAWN: G.McMillon ENGR: S.Bankhead

TITLE: SERVICE DIAGRAM, COMBINED (schematic)
Strawberry Blonde II
PCB Preamp

SIZE: DRAWING NUMBER: **0073172000** REV. **A**

DATABASE FILE: 272451.SCH RELEASE DATE: 17-OCT-06 SHEET: 1 OF 2






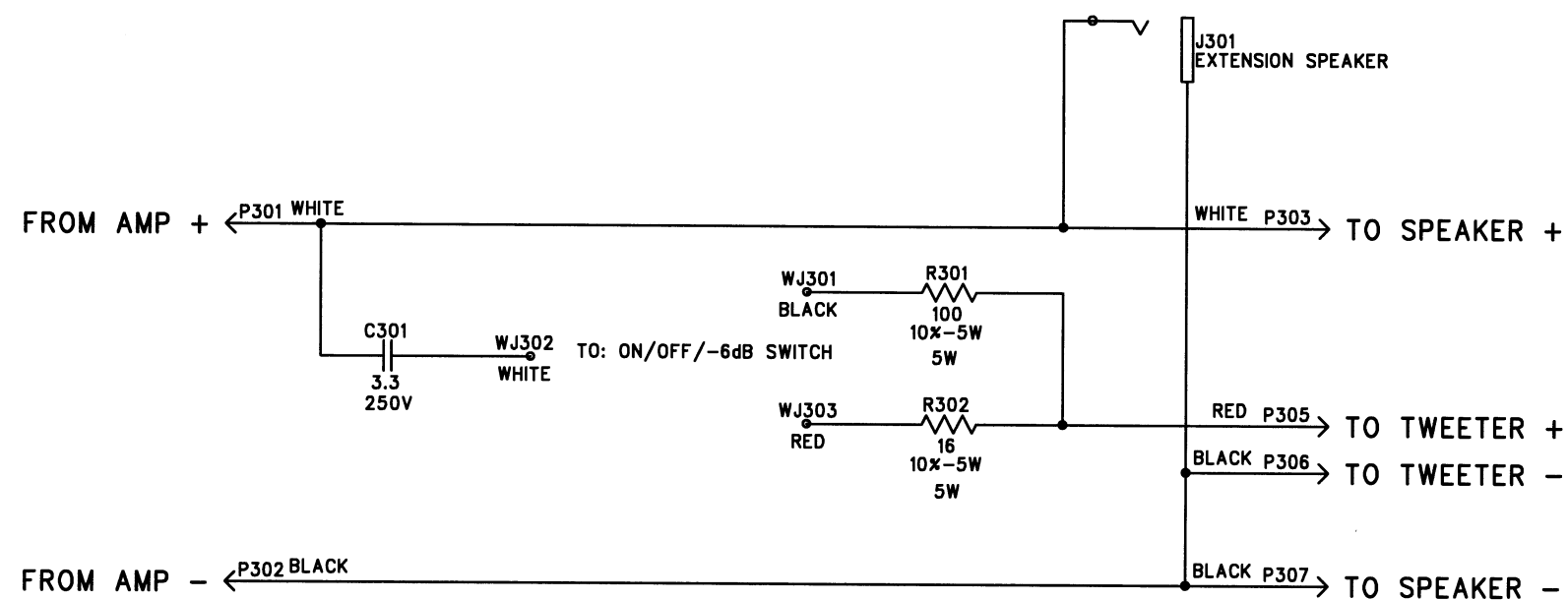
REVISIONS			
REV.	DESCRIPTION	DATE	APPROVED
A	PR724	17-OCT-06	GMx

FILM/DWG: SERVICE DIAGRAM
 DATABASE: Z724.PCB DATE: 17-OCT-06

UNLESS OTHERWISE NOTED:
 1. SEE SHEET 1 FOR TEST CONDITIONS & TEST POINT VALUES


THIS DOCUMENT CONTAINS INFORMATION OF A PROPRIETARY NATURE TO FENDER MUSICAL INSTRUMENTS AND IS SUBMITTED TO YOU IN CONFIDENCE AND SHALL NOT BE DISCLOSED OR TRANSMITTED TO OTHERS WITHOUT AUTHORIZATION FROM FENDER MUSICAL INSTRUMENTS.		 SWR Corona, CA U.S.A.	
CHECKED BY: <i>H. Kaplan</i> DATE: <i>Jan 29, 2007</i>		TITLE: SERVICE DIAGRAM, COMBINED (PCB assy) STRAWBERRY BLONDE II PREAMP & I/O PCB	
APPROVED BY: <i>S. Bankhead</i> DATE: <i>Jan 29, 2007</i>		SIZE C	DRAWING NUMBER 0073172000
DRAWN: G McMillan ENGR: S Bankhead		REV. A	SHEET 2 OF 2
DATABASE FILE: Z724P1.PCB		RELEASE DATE: 17-OCT-06	SHEET 2 OF 2

REVISIONS			
REV.	DESCRIPTION	DATE	APPROVED
A	PR724	20-OCT-06	GMx



5. THIS SCHEMATIC IS FOR PCB FABRICATION P/N 0073317000 AND PCB ASSEMBLY P/N 0073316000
4. ALL DIODES ARE 1N4448.
3. ALL POLARIZED CAPACITORS IN μ F, 20%; 50V MINIMUM.
2. ALL UNPOLARIZED CAPACITORS IN μ F, 10% OR BETTER; 50V MINIMUM. (POWER SUPPLY BYPASS CAPACITORS ARE 20%).
1. ALL RESISTORS IN OHMS, 5%; 1/4W.

NOTES: (UNLESS OTHERWISE NOTED)

THIS DOCUMENT CONTAINS INFORMATION OF A PROPRIETARY NATURE TO FENDER MUSICAL INSTRUMENTS AND IS SUBMITTED TO YOU IN CONFIDENCE AND SHALL NOT BE DISCLOSED OR TRANSMITTED TO OTHERS WITHOUT AUTHORIZATION FROM FENDER MUSICAL INSTRUMENTS.		 MUSICAL INSTRUMENTS Corona, CA U.S.A.	
CHECKED BY: <u>H. Keph</u>		TITLE: SERVICE DIAGRAM, COMBINED (schematic)	
DATE: <u>10-23-06</u>		STRAWBERRY BLONDE II	
APPROVED BY: <u>S. Bankhead</u>		CROSSOVER	
DATE: <u>Oct 23 2006</u>		SIZE	REV.
DRAWN: G.McMillan ENGR: S.Bankhead		B	A
DATABASE FILE: Z724S2.SCH		DRAWING NUMBER	0073181000
RELEASE DATE: 20-OCT-06		SHEET: 1 OF 1	