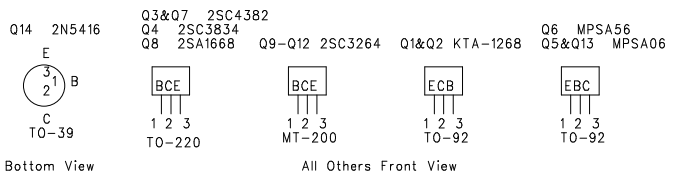
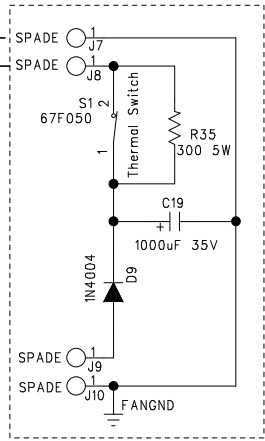


- NOTES (Unless otherwise specified):
1. Values shown are for all models.
 2. All resistor in ohms, 1/4 watt, 5%
 3. PCB part # for all units is 170010D Module is 700039
 4. VDC will vary by model - See table below.

Fan (Connects to front [Left] module)

For "Mo' Bass" fan circuit, please see separate schematic.

NOTE: While on the same PCB, this circuit is not electrically common to the audio circuit.



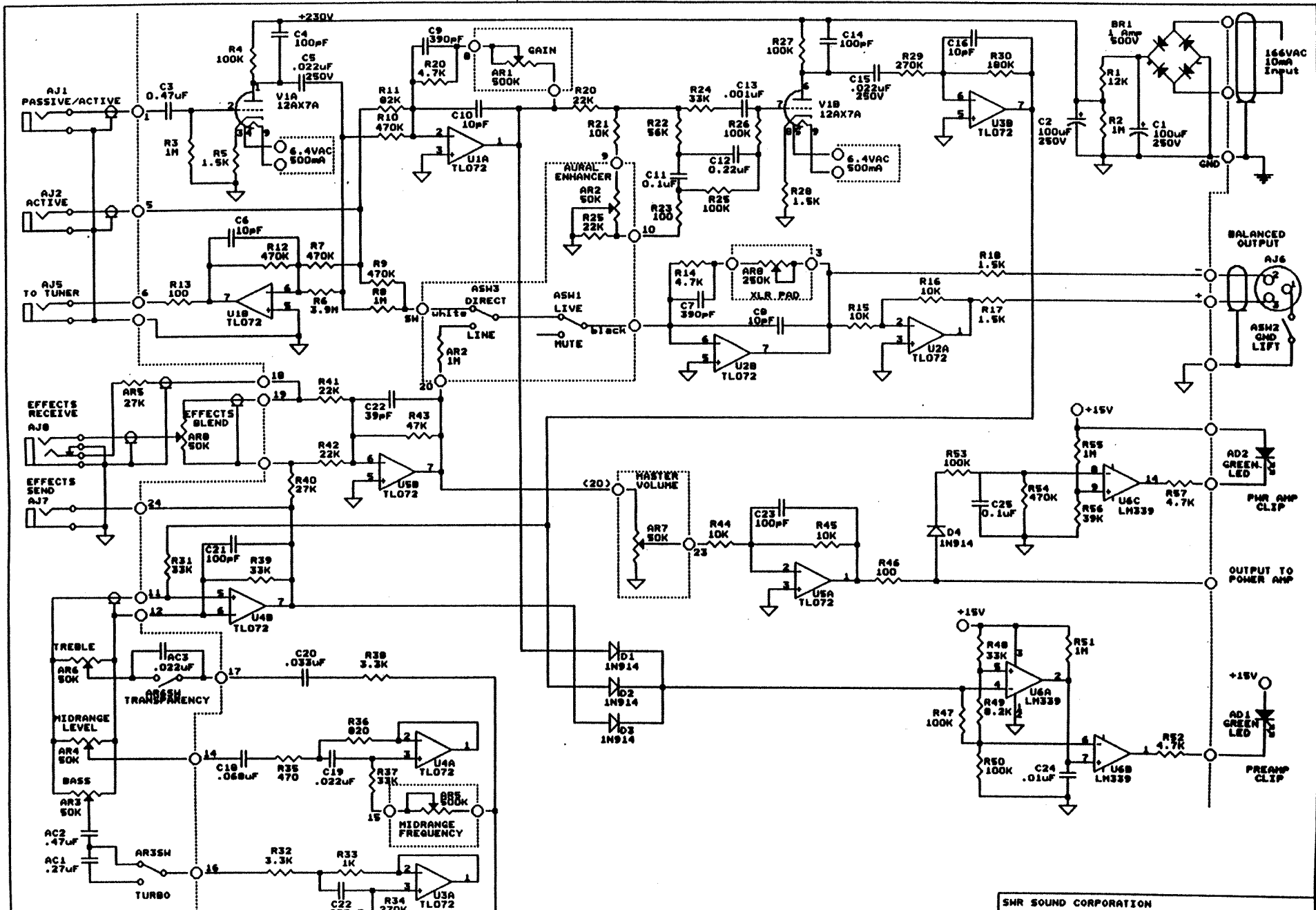
VDC Table

Model	+ VDC	- VDC
SM-900	78	78
Mo' Bass	59	59
SM-500	77	77
Bass 350/350x Super Redhead Silverado Black Beauty	79	79
WM4004	79	79

SWR Sound Corp.

SWR2000 - Power Amp Module

May 2000 Revision D Page 1 of 1

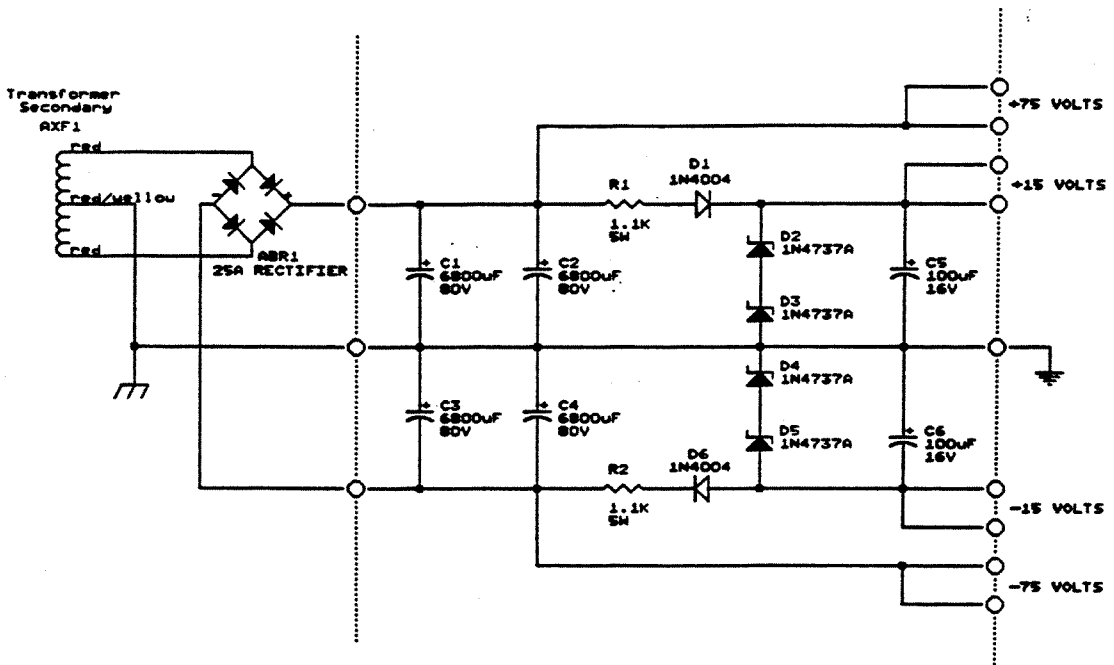


Items outside of the dashed lines are part of the Chassis Assembly

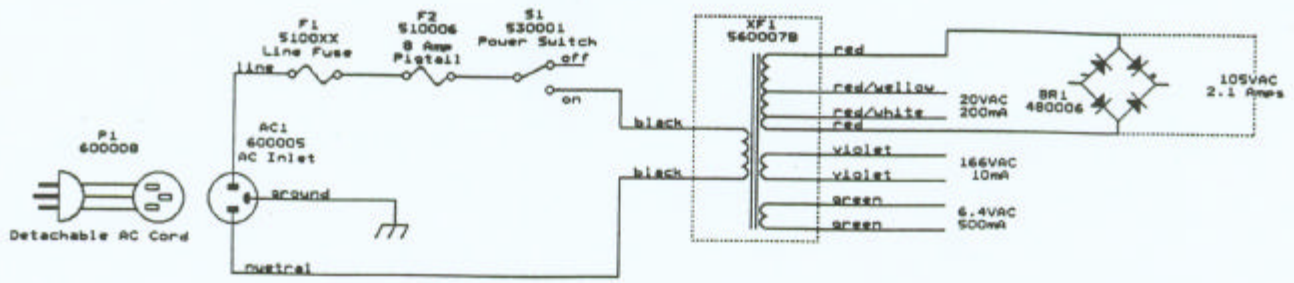
4. Terminal designations are cable/wire ID numbers.
 3. Reference designators with an A prefix are part of the chassis sub-assembly.
 2. All TL072s have +15 Volts to pin 8, and -15 Volts to pin 4.
 1. Resistors are Ohms, 1/4 Watt.
- NOTES (Unless otherwise indicated):

SMR SOUND CORPORATION
 9130 Glenoaks Blvd.
 Sun Valley, CA 91352
 Phone: (818)253-4797 FAX: (818)253-4799
<http://www.smr9130.com>

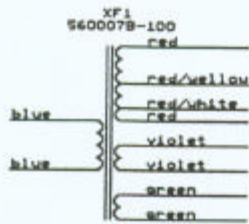
Size Document Number: 700007
 Date: June 15, 1997 Sheet 1 of 1



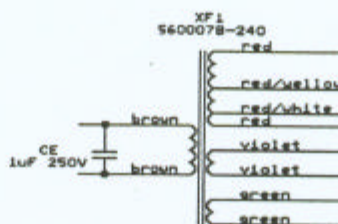
SMR SOUND CORPORATION		
9130 Glenoaks Blvd. Sun Valley, CA 91352 PHONE: (818) 253-4797 FAX: (818) 253-4799 http://www.smrsg.com		
Title Power Supply Filter Board - Redhead		
Size	Document Number	REV
A	700008	A
Date:	July 1, 1999	Sheet 1 of 1



120 VAC WIRING



100 VAC WIRING EXPORT

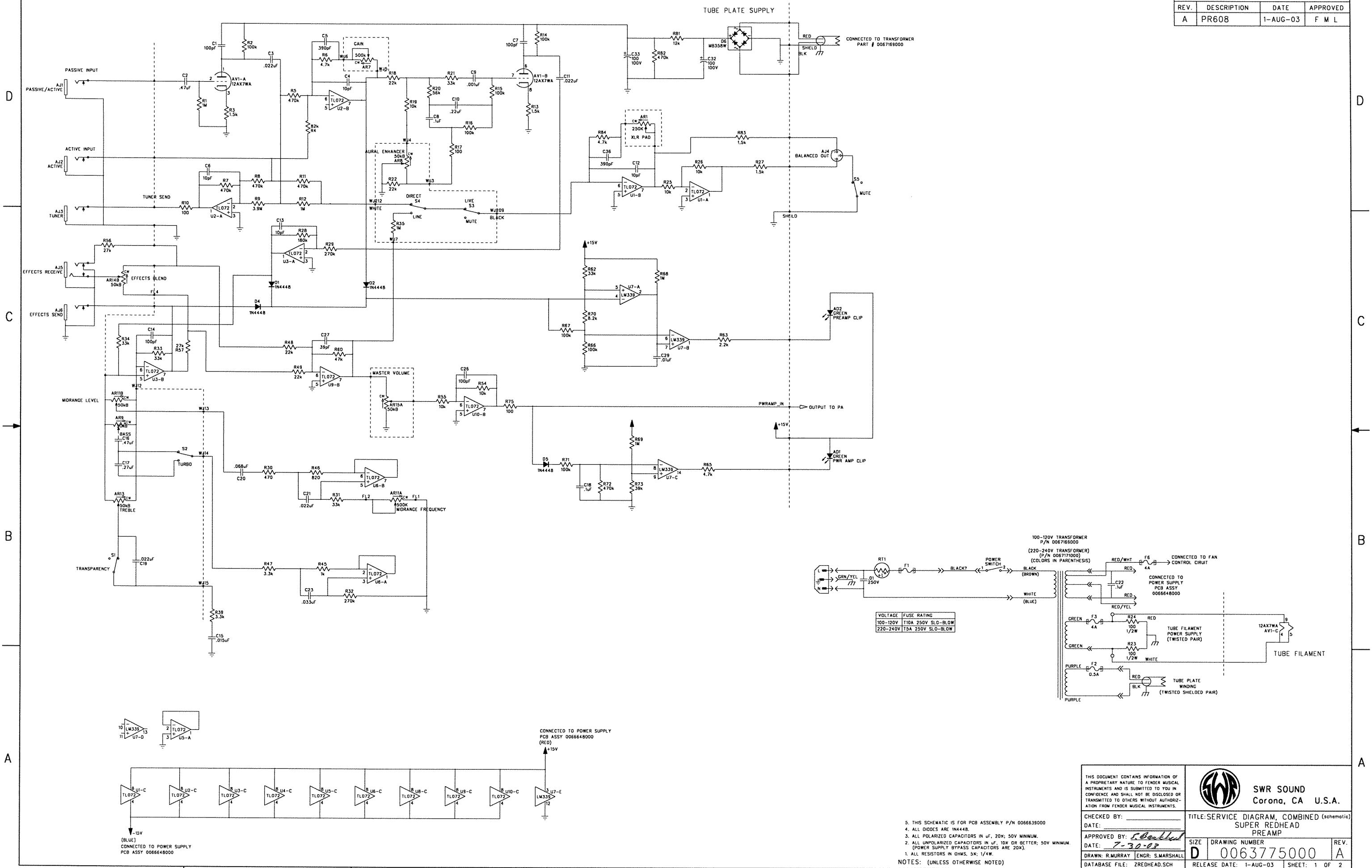


240VAC WIRING EXPORT

F1 VALUE		
Voltage	Value	Part number
120 VAC	7 Amp	510008
100 VAC	8 Amp	510016
240 VAC	4 Amp	510001

SNR Sound Corporation 9130 Glenoaks Blvd. Sun Valley, CA 91352 Tel: (818)253-4797 & FAX: (818)253-4799 Internet: http://www.sureng.com		
Title		
Wiring, Bass 350, RH, Silverado		
Size Document Number		
A	1001-xfr-350	REV B
Date: May 18, 1999 Sheet 1 of 1		

REVISIONS			
REV.	DESCRIPTION	DATE	APPROVED
A	PR608	1-AUG-03	F M L



VOLTAGE	FUSE RATING
100-120V	T10A 250V SLO-BLOW
220-240V	T5A 250V SLO-BLOW

THIS DOCUMENT CONTAINS INFORMATION OF A PROPRIETARY NATURE TO FENDER MUSICAL INSTRUMENTS AND IS SUBMITTED TO YOU IN CONFIDENCE AND SHALL NOT BE DISCLOSED OR TRANSMITTED TO OTHERS WITHOUT AUTHORIZATION FROM FENDER MUSICAL INSTRUMENTS.

SWR SOUND
Corona, CA U.S.A.

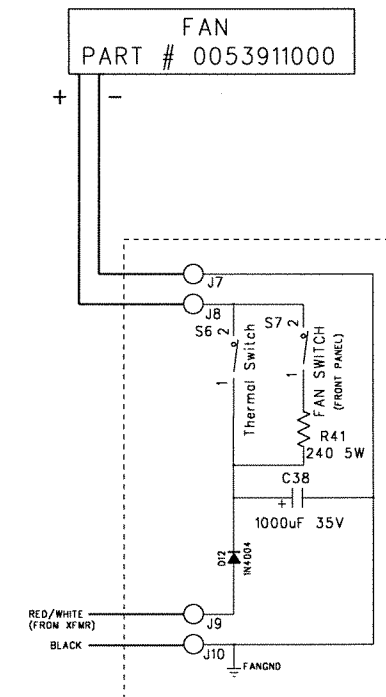
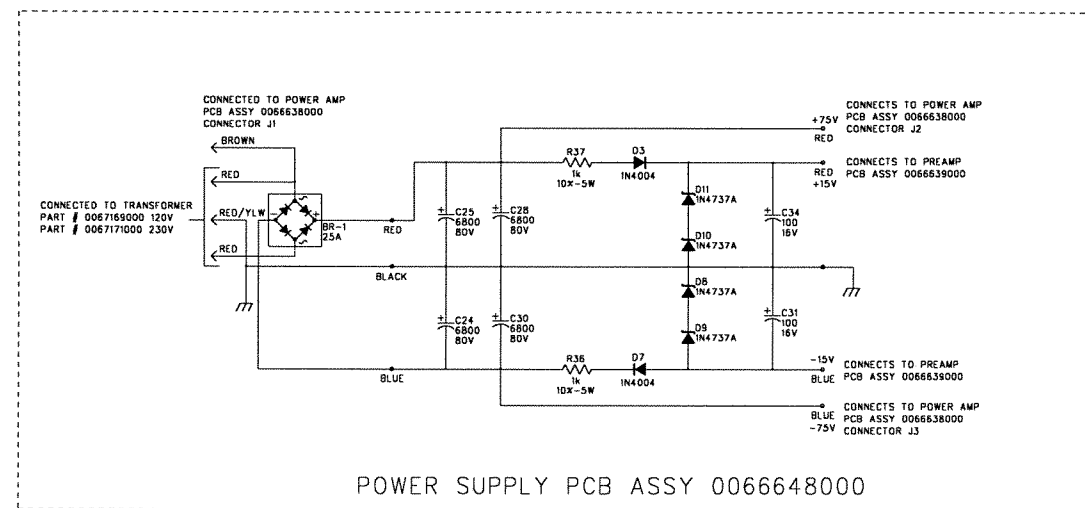
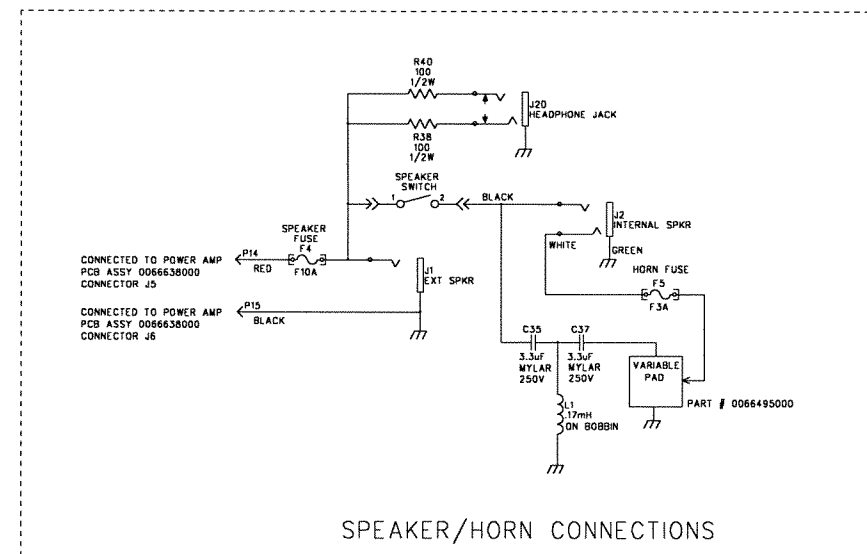
CHECKED BY: _____ DATE: _____
 APPROVED BY: *S. Marshall* DATE: *7-30-03*
 DRAWN: R. MURRAY ENGR: S. MARSHALL
 DATABASE FILE: ZREDHEAD.SCH

TITLE: SERVICE DIAGRAM, COMBINED (schematic)
 SUPER REDHEAD
 PREAMP


SIZE: **D** DRAWING NUMBER: **0063775000** REV. **A**
 RELEASE DATE: 1-AUG-03 SHEET: 1 OF 2

5. THIS SCHEMATIC IS FOR PCB ASSEMBLY P/N 0066639000
 4. ALL DIODES ARE IN4448.
 3. ALL POLARIZED CAPACITORS IN μ F, 20K; 50V MINIMUM.
 2. ALL UNPOLARIZED CAPACITORS IN μ F, 10K OR BETTER; 50V MINIMUM.
 (POWER SUPPLY BYPASS CAPACITORS ARE 20K).
 1. ALL RESISTORS IN OHMS, 5K; 1/4W.
- NOTES: (UNLESS OTHERWISE NOTED)

REVISIONS			
REV.	DESCRIPTION	DATE	APPROVED
A	PR608	1-AUG-03	F M L



- NOTES: (UNLESS OTHERWISE NOTED)
- THIS SCHEMATIC IS FOR PCB ASSEMBLY P/N 0066648000 & PART OF 0066638000.
 - ALL DIODES ARE IN444B.
 - ALL POLARIZED CAPACITORS IN µF, 20%; 50V MINIMUM.
 - ALL UNPOLARIZED CAPACITORS IN µF, 10% OR BETTER; 50V MINIMUM. (POWER SUPPLY BYPASS CAPACITORS ARE 20%).
 - ALL RESISTORS IN OHMS, 5%; 1/4W.

THIS DOCUMENT CONTAINS INFORMATION OF A PROPRIETARY NATURE TO FENDER MUSICAL INSTRUMENTS AND IS SUBMITTED TO YOU IN CONFIDENCE AND SHALL NOT BE DISCLOSED OR TRANSMITTED TO OTHERS WITHOUT AUTHORIZATION FROM FENDER MUSICAL INSTRUMENTS.		 SWR SOUND Corona, CA U.S.A.	
CHECKED BY: _____	TITLE: SERVICE DIAGRAM, COMBINED (schematic)		
DATE: _____	SUPER REDHEAD		
APPROVED BY: <i>S. Bankhead</i>	POWER SUPPLY / HORN / SPEAKER		
DATE: 7-30-03	SIZE: D	DRAWING NUMBER: 0063775000	REV. A
DRAWN: R.MURRAY	ENGR: S.MARSHALL	RELEASE DATE: 1-AUG-03	SHEET: 2 OF 2
DATABASE FILE: ZREDHEAD.SCH			