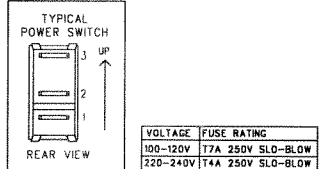
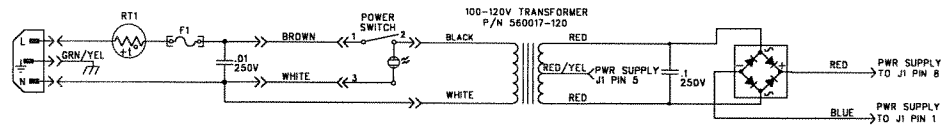
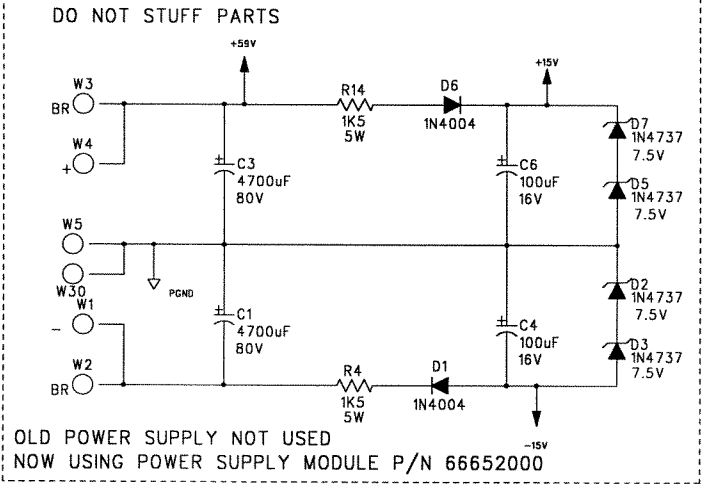
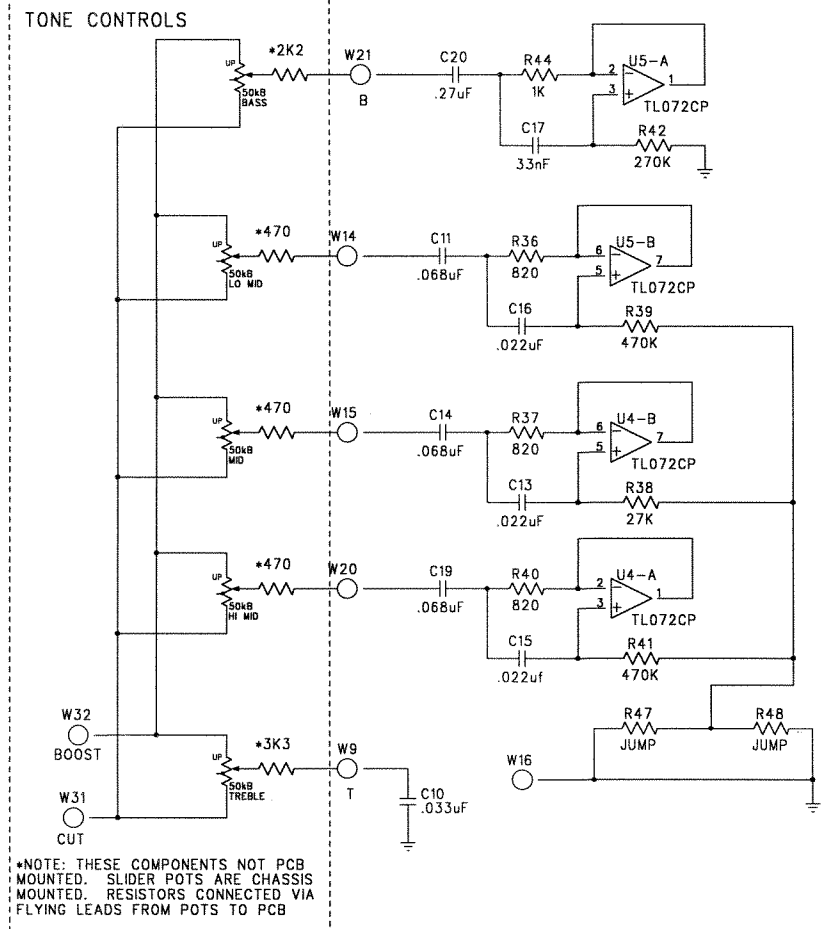
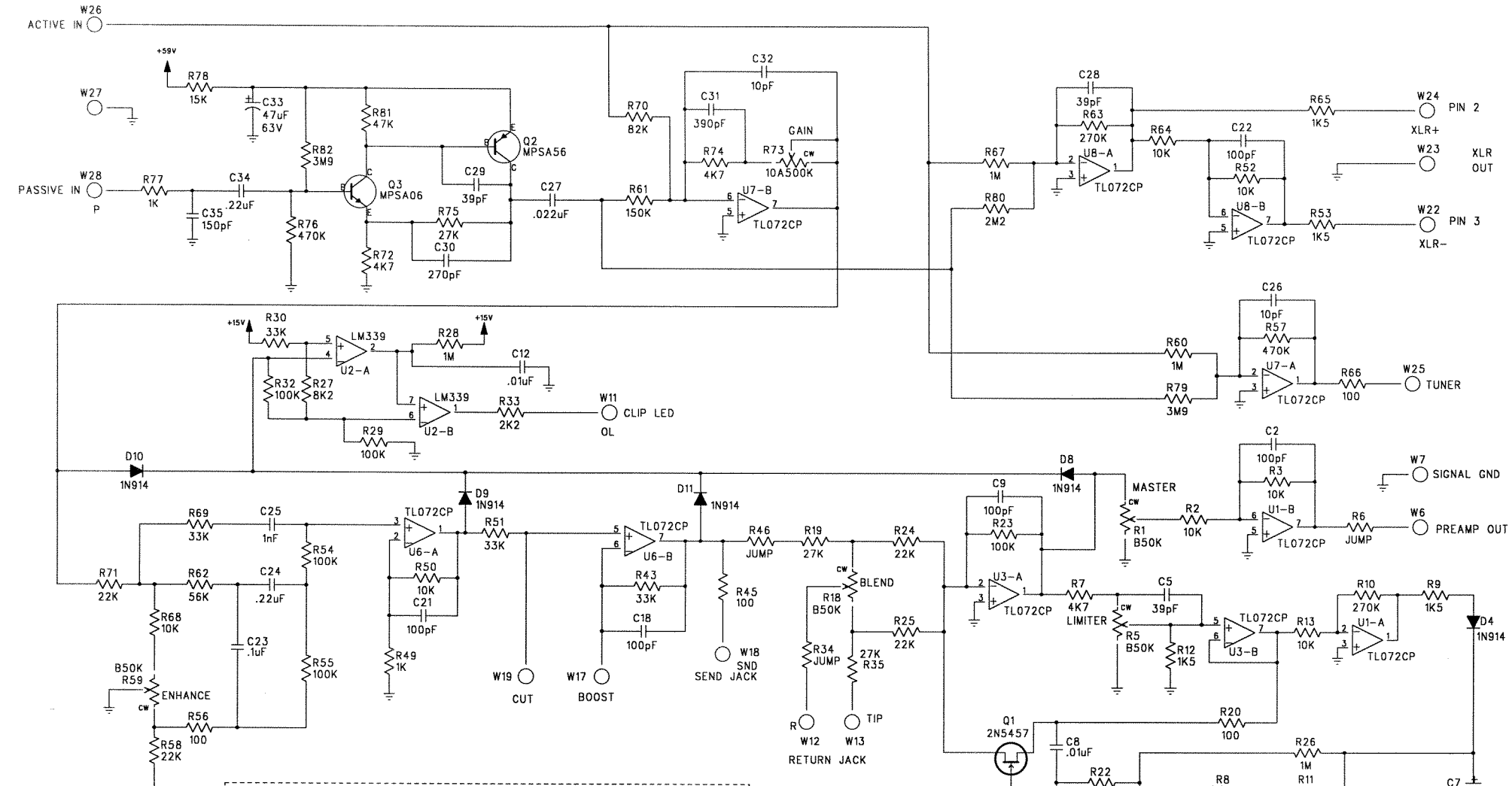
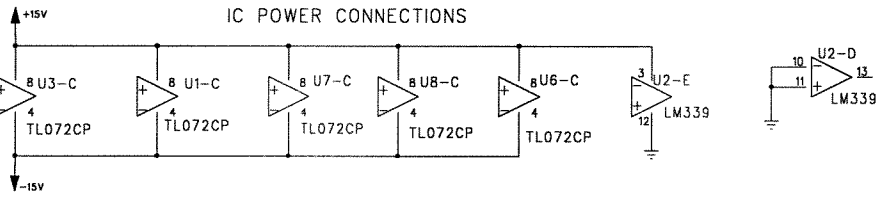


REVISIONS			
REV.	DESCRIPTION	DATE	APPROVED
A	PR609	15-JUL-03	JCS

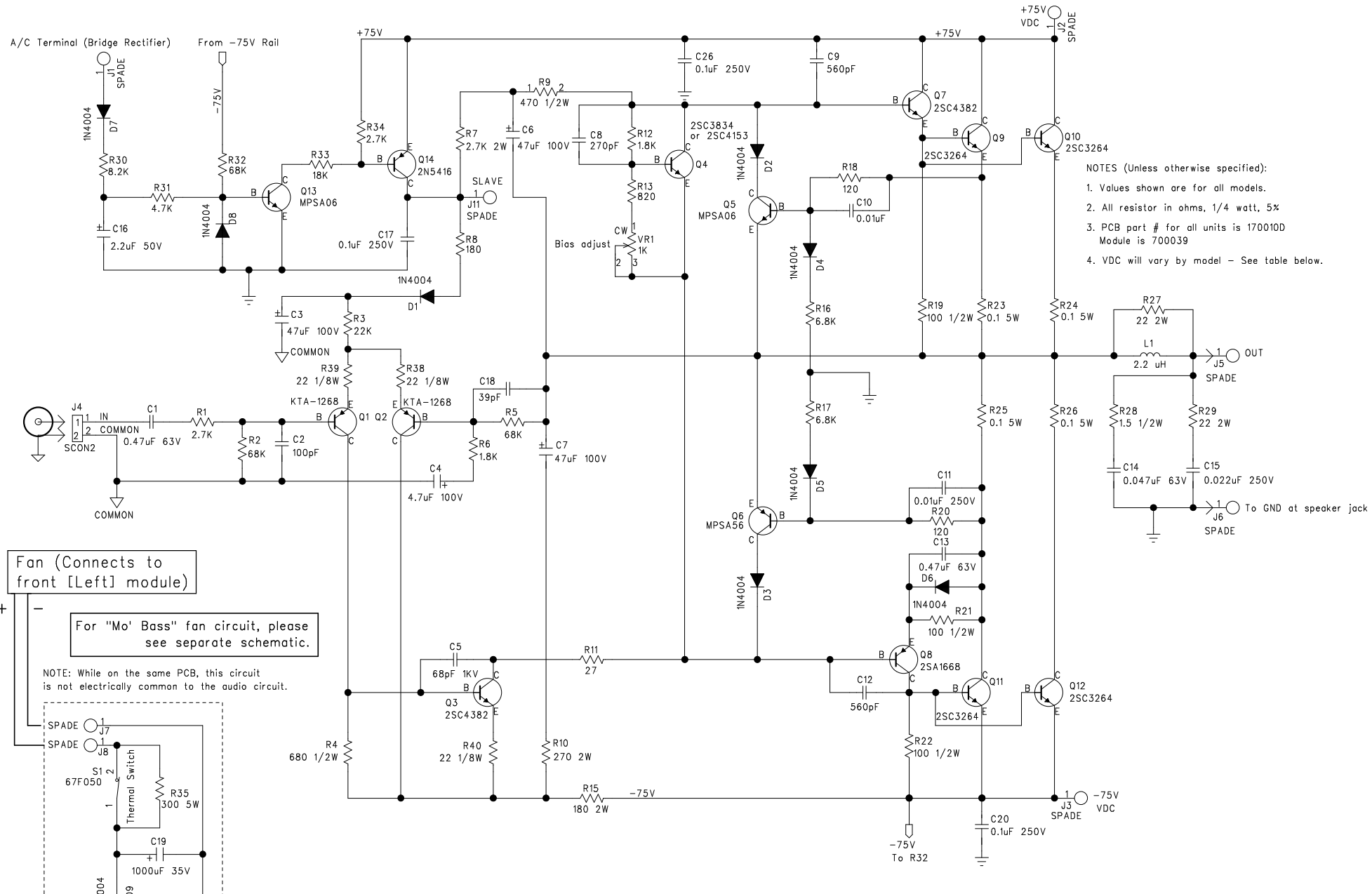


VOLTAGE	FUSE RATING
100-120V	T7A 250V SLD-BLOW
220-240V	T4A 250V SLD-BLOW



- NOTES:
- Unless otherwise noted: 1. All resistors 1/4W 5x
 - Reference designators starting with "W" indicate jumpers to other PCBs.
 - All resistor values in ohms
 - This schematic is for PCB Assy P/N 0066651000
 - Use power supply Assy P/N 0066652000
 - Use power amp Assy P/N 0066638000

THIS DOCUMENT CONTAINS INFORMATION OF A PROPRIETARY NATURE TO FENDER MUSICAL INSTRUMENTS AND IS SUBMITTED TO YOU IN CONFIDENCE AND SHALL NOT BE DISCLOSED OR TRANSMITTED TO OTHERS WITHOUT AUTHORIZATION FROM FENDER MUSICAL INSTRUMENTS.		SWR SWR SOUND CORONA, CA USA	
CHECKED BY: _____	DATE: _____	TITLE: SERVICE DIAGRAM, COMBINED (schematic)	REV. _____
APPROVED BY: <i>[Signature]</i>	DATE: 2-16-03	SIZE: D	DRAWING NUMBER: 0063784000
DRAWN: STILLWELL	ENGR: STILLWELL	RELEASE DATE: 15-07-03	SHEET: 1 OF 1

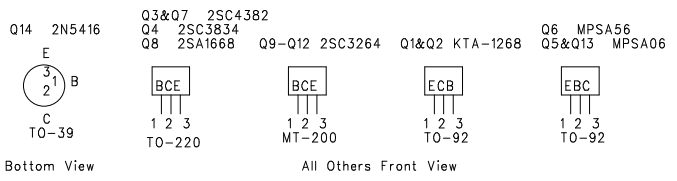
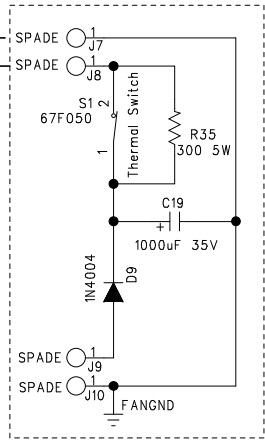


- NOTES (Unless otherwise specified):
1. Values shown are for all models.
 2. All resistor in ohms, 1/4 watt, 5%
 3. PCB part # for all units is 170010D
Module is 700039
 4. VDC will vary by model - See table below.

Fan (Connects to front [Left] module)

For "Mo' Bass" fan circuit, please see separate schematic.

NOTE: While on the same PCB, this circuit is not electrically common to the audio circuit.



VDC Table

Model	+ VDC	- VDC
SM-900	78	78
Mo' Bass	78	78
SM-500	59	59
Bass 350/350x Super Redhead Silverado Black Beauty	77	77
WM4004	79	79

SWR Sound Corp.

SWR2000 - Power Amp Module

BIAS PROCEDURE SM-400/SM-900/ST-800

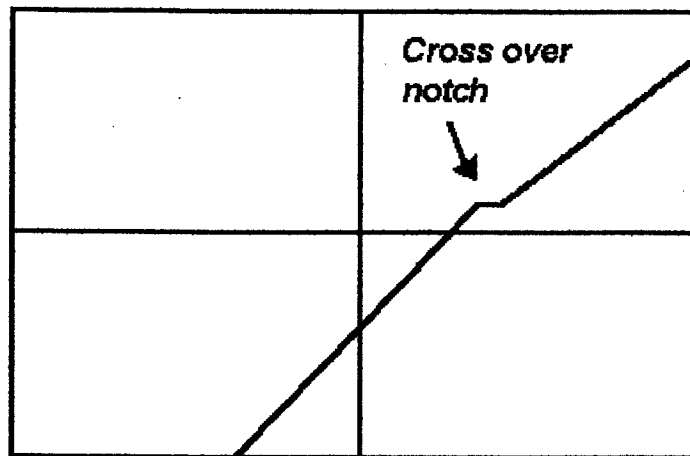
Equipment required:

**Sinewave generator
2 ohm, 250 watt load
AC millivolt meter
Oscilloscope**

- 1. Lower signal generator output to minimum, set frequency to 1KHz and insert into "mono" effects return jack (unbalanced line in for Stereo 800).**
- 2. Set Power Amp Assign Switch on back panel to "Stereo" position (up). Plug 2 ohm dummy load in channel to be tested.**
- 3. Raise Master Volumes on SM-900 and ST-800 to full clockwise. Set Effects Blend control on SM-900 to "wet" (full clockwise). Set Balance control on SM-400 to mid-position.**
- 4. Adjust bias trim pots to full counter-clockwise position.**
- 5. Turn on/off switch to "on" position. Connect unit to autotransformer (variac) and raise AC line level to 115 volts.**
- 6. Position ground reference on oscilloscope just above center line of screen.**
- 7. Raise signal generator level so that 2 volts RMS appears at the speaker output.**
- 8. Monitor signal on scope with the following settings:
Load: 2 ohms
Scope: Sweep Time: 50us Volts/Div: 0.2V
Signal Generator: Freq. 1KHz**

9. The signal should have a prominent crossover notch at about zero crossing. Refer to diagram below.

Figure 1.



10. Adjust bias trimpot of amp being tested just past the point the crossover notch disappears. DO NOT OVER ADJUST as this will set the idle current too high and the power amp will overheat

11. Repeat procedure for other side.