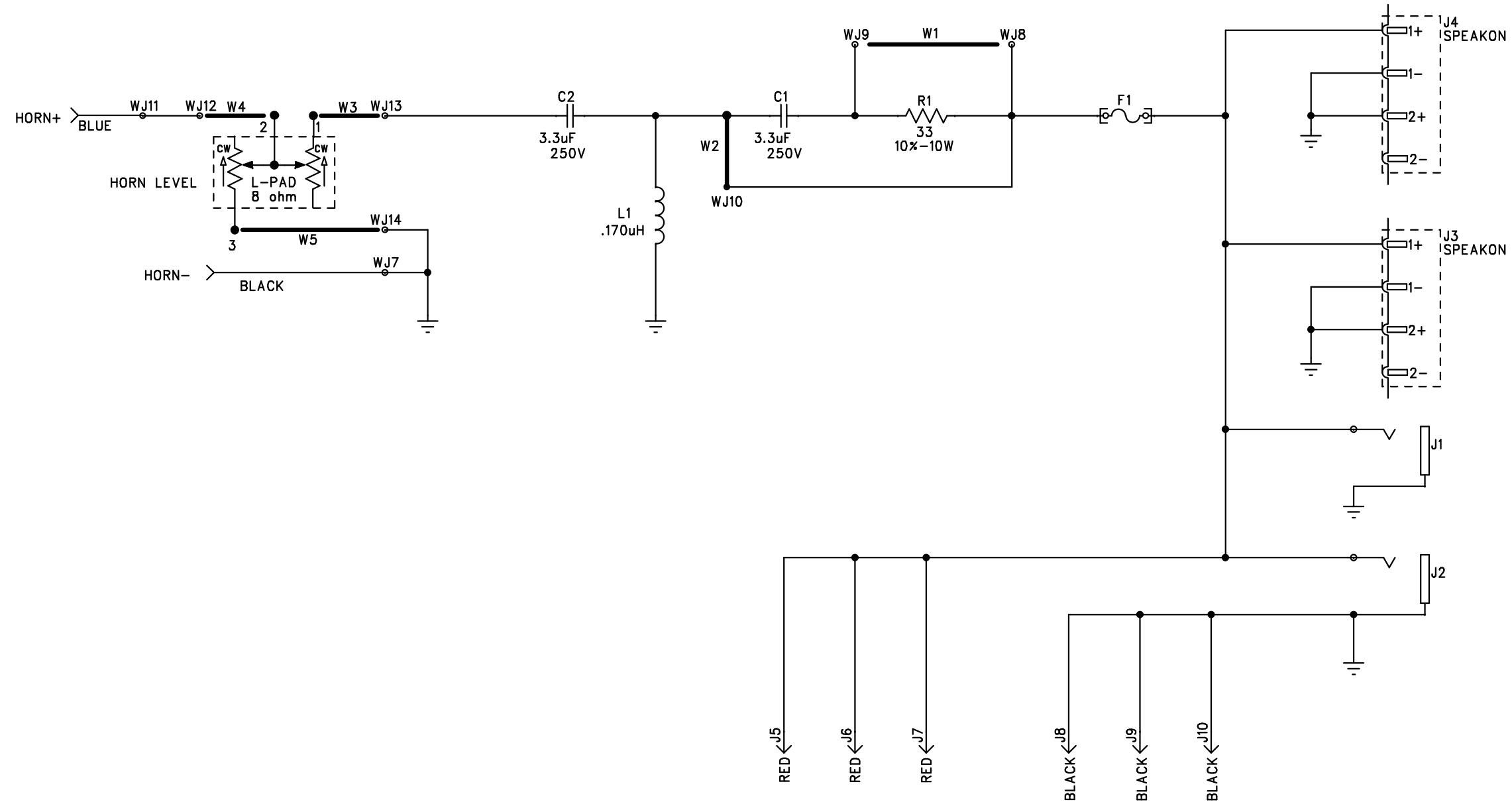
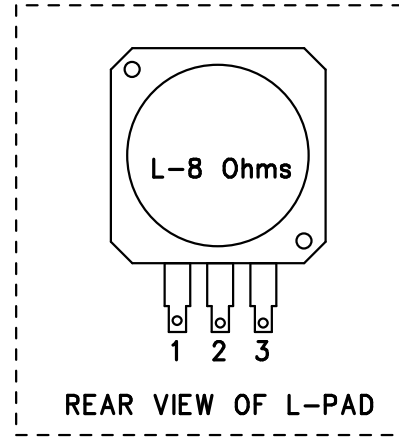


0075747000	INPUT ASSY SWR PRO CABS W/ LI & C1	1,000 EA
0066450000	KNOB ASSY X-OVER L	1,000 EA
0066495000	LPAD 8 OHM 50W #AT-50H - L-8 OHM L	1,000 EA
0075762000	PCB ASSY SWR SPKR CABS W/ L1 & C1 L	1,000 EA
0029175000	JACK PHONE 1/4" HI CURRENT PCB L	2,000 EA
0057341000	CONNECTOR SPEAKON 4-POLE PCB MTG L	2,000 EA
0020775000	FUSE CLIP PCB 5mm L	2,000 EA
0066051000	CAP MYLAR 3.3uF 250V L	2,000 EA
0065909000	AIR COIL .170 MH L	1,000 EA

REVISIONS

REV.	DESCRIPTION	DATE	APPROVED
A	PR646	06-JUN-04	I.D.K.
B	PR771	14-JUN-07	J.H.



4. INSTALL JUMPER W2 FOR ASSEMBLY: 0075763000.
3. C1, L1 AND W1 ARE NOT INSTALLED FOR ASSEMBLY: 0075763000.
2. R1 IS NOT INSTALLED; RESERVED FOR FUTURE USE.
1. THIS SCHEMATIC IS FOR PCB ASSEMBLIES: 0075762000 AND 0075763000.

NOTES: (UNLESS OTHERWISE NOTED)

THIS DOCUMENT CONTAINS INFORMATION OF A PROPRIETARY NATURE TO FENDER MUSICAL INSTRUMENTS AND IS SUBMITTED TO YOU IN CONFIDENCE AND SHALL NOT BE DISCLOSED OR TRANSMITTED TO OTHERS WITHOUT AUTHORIZATION FROM FENDER MUSICAL INSTRUMENTS.



MUSICAL INSTRUMENTS  
Corona, CA U.S.A.

CHECKED BY: \_\_\_\_\_  
DATE: \_\_\_\_\_

APPROVED BY: \_\_\_\_\_  
DATE: \_\_\_\_\_

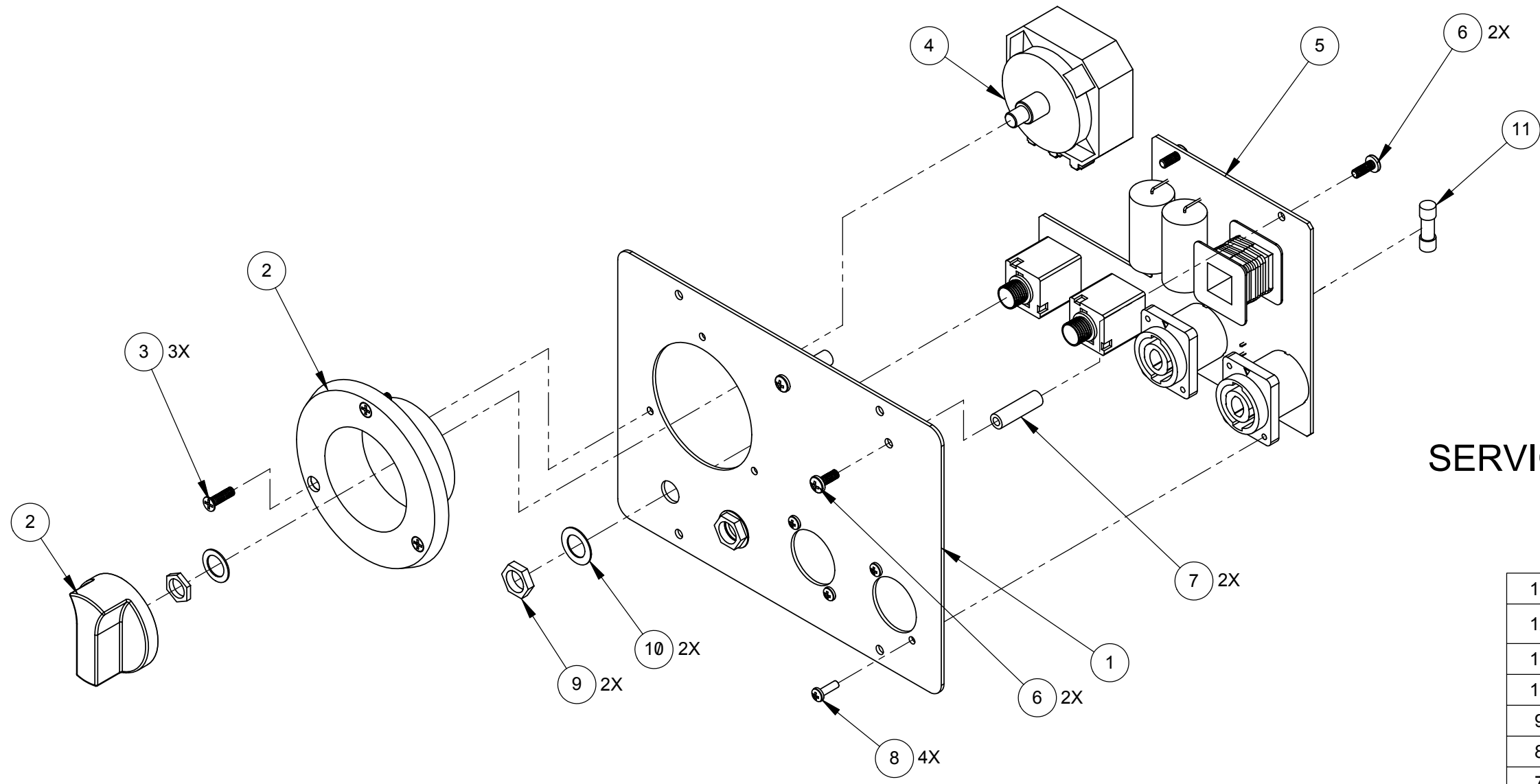
DRAWN: I.KOTHRAD ENGR: I.KOTHRAD

DATABASE FILE: Z771S.PCB

TITLE: SERVICE DIAGRAM, COMBINED (schematic)  
SWR SPEAKER CABINETS

SIZE	DRAWING NUMBER	REV.
B	0068378000	B

RELEASE DATE: 06-JUN-04 SHEET 1 OF 2

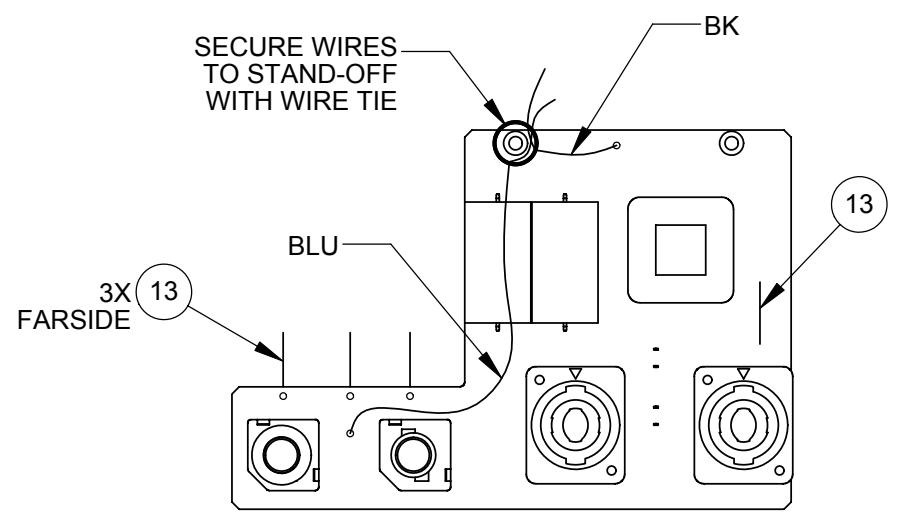


## SERVICE MANUAL DOCUMENT


11/05/2007

(N.S.) = NOT SHOWN

ITEM	QTY	DESCRIPTION
13	.25 ft	WIRE BUSS 18 GAUGE
12	1	WIRESSET INPUT ASSY SWR SPKR CABS W/L1 & C1 (N.S.)
11	1	FUSE 3A 20MMx5MM SA/UL 250V
10	2	WSHR FLAT 3/8x.614 NI
9	2	NUT HEX 3/8-32x3/32 TK NI
8	4	SCRW SMB #4X3/8 PHP BLX
7	2	STANDOFF 6-32x7/8x1/4 AL RND
6	4	SCRW M 6-32x3/8 PHPS BLX ITLW
5	1	PCB ASSEMBLY SWR CABS W/L1 & C1
4	1	LPAD 8 OHM 50W #AT-50H-L-8 OHM
3	3	SMS #6X1/2 FLAT PH B/OX
2	1	KNOB ASSY X-OVER
1	1	PLATE INPUT SWR SPKR CABS



WIRING DETAIL

ENGINEER		 FENDER MUSICAL INSTRUMENTS CORP. CORONA, CALIFORNIA U.S.A.		
DRAWN				
DATE 06/13/2007				
DFT.	ENG.	ENG.	TITLE INPUT ASSEMBLY SWR PRO CABS W/LI & C1	
DATE	DATE	DATE		
APPROVED	SHEET 1 of 1	SIZE B	PART NUMBER 0075747000	REV A
DATE	SCALE 1/2	ASSEMBLY		