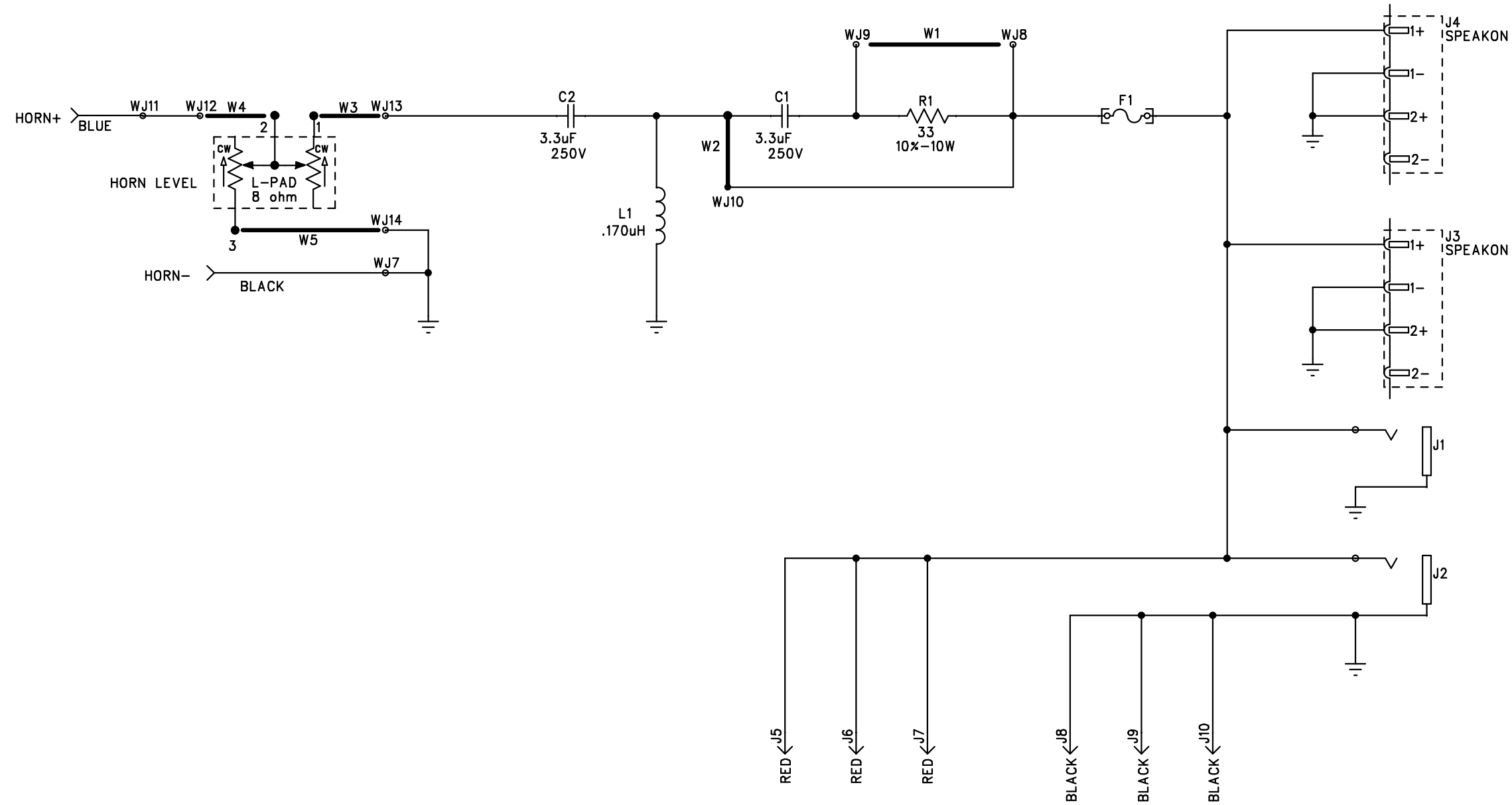
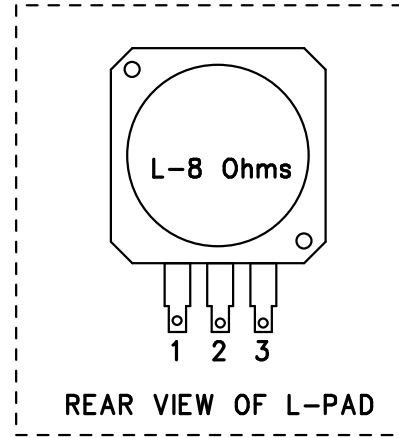


REVISIONS

REV.	DESCRIPTION	DATE	APPROVED
A	PR646	06-JUN-04	I.D.K.
B	PR771	14-JUN-07	J.H.



4. INSTALL JUMPER W2 FOR ASSEMBLY: 0075763000.
3. C1, L1 AND W1 ARE NOT INSTALLED FOR ASSEMBLY: 0075763000.
2. R1 IS NOT INSTALLED; RESERVED FOR FUTURE USE.
1. THIS SCHEMATIC IS FOR PCB ASSEMBLIES: 0075762000 AND 0075763000.

NOTES: (UNLESS OTHERWISE NOTED)

THIS DOCUMENT CONTAINS INFORMATION OF A PROPRIETARY NATURE TO FENDER MUSICAL INSTRUMENTS AND IS SUBMITTED TO YOU IN CONFIDENCE AND SHALL NOT BE DISCLOSED OR TRANSMITTED TO OTHERS WITHOUT AUTHORIZATION FROM FENDER MUSICAL INSTRUMENTS.



MUSICAL INSTRUMENTS
Corona, CA U.S.A.

CHECKED BY: _____
DATE: _____

TITLE: SERVICE DIAGRAM, COMBINED (schematic)
SWR SPEAKER CABINETS

APPROVED BY: _____
DATE: _____

SIZE	DRAWING NUMBER	REV.
B	0068378000	B

DRAWN: I.KOTHRAD ENGR: I.KOTHRAD

DATABASE FILE: Z771S.PCB RELEASE DATE: 06-JUN-04 SHEET 1 OF 2

